

CHECKER MOTORS CORP. KALAMAZOO, MICH.

EFFECTIVE MODEL YEAR 1959

MODEL: B-II B-11E	DATE 6-5-73	GRAPHIC ILLUSTRATION VACUUM LINES - GENERAL ROUTING - 6 CYL	DWN. CHK. APPVD.	SHEET NO. 440 B-1 SUPERSEDES G.I. 423 A-1 PER MEMO 357
-------------------------	----------------	--	------------------------	---

DATE	CHANGES

CRANKCASE VENT VALVE TO MANIFOLD TEE
SEE G.I. 120 B-1

CARB. TO TRANSMISSION
SEE G.I. 415 B-1

CARB. TO E.G.R. VALVE
SEE G.I. 158 B-1

DIVERTER VALVE TEE TO AIR CLEANER
SEE G.I. 20

DISTRIBUTER TO CARB.
SEE G.I. 20

VIEW IN DIRECTION OF ARROW "A"

CARB. + MANIFOLD TEE TO CANISTER
SEE G.I. 150 B-5

DIVERTER VALVE TEE TO CARB.
SEE G.I. 20

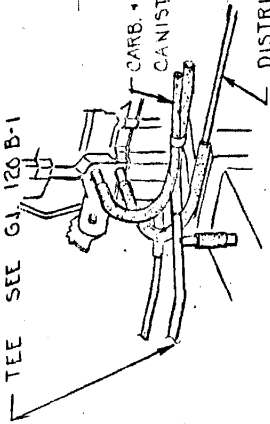
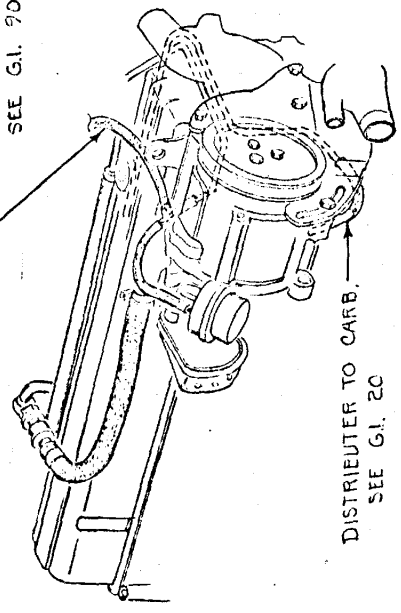
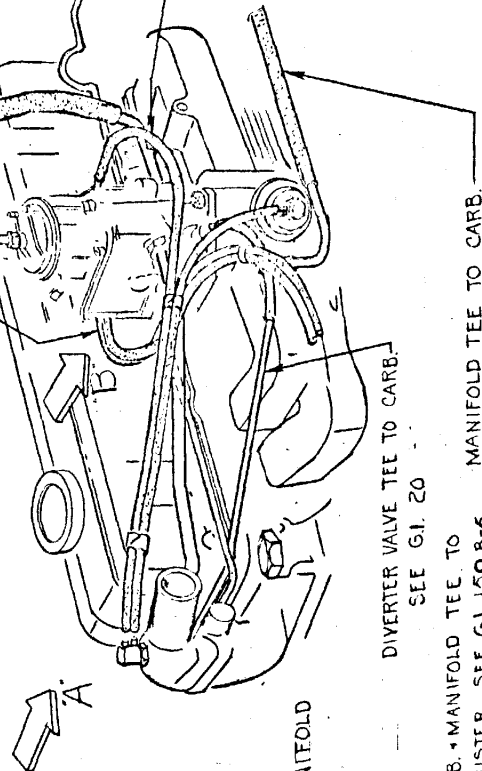
MANIFOLD TEE TO CARB.

CRANKCASE VENT VALVE TO MANIFOLD
TEE SEE G.I. 120 B-1

CARB. + MANIFOLD TEE TO
CANISTER SEE G.I. 150 B-5

DISTRIBUTER TO CARB.
SEE G.I. 20

VIEW IN DIRECTION OF ARROW "B"



CHECKER MOTORS CORP. KALAMAZOO, MICH.

EFFECTIVE MODEL YEAR 1974

MODEL:
B-11
B-12E
B-12W
B-11E

DATE
6-5-73

GRAPHIC ILLUSTRATION

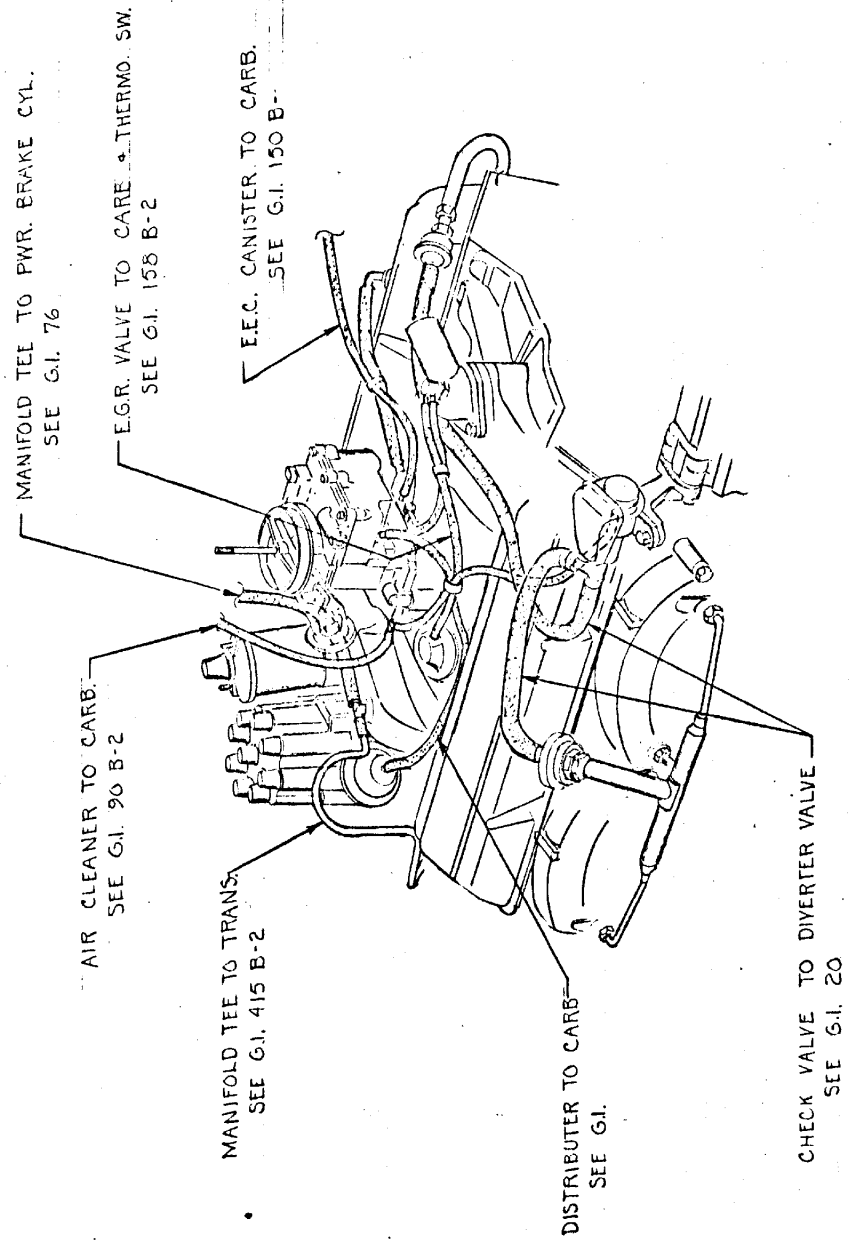
VACUUM LINES - GENERAL ROUTING TO CYL. 2 BBL.

DWN. CHECKER
CHK.

SHEET NO. 440 B-2

APPVD. SUPERSEDES G.I. 428 A-2 PER MEMO #357

DATE	CHANGES



CHECKER MOTORS CORP. KALAMAZOO, MICH.

EFFECTIVE MODEL YEAR 1974

MODEL:	B-12WB	DATE	6-4-78	GRAPHIC ILLUSTRATION	DWN. BY:	SHEET NO.	440 B-3
				VACUUM LINES - GENERAL ROUTING 8 CYL - 4 EIA.	CHK.		

APPVD. SUPERSEDES G1 422 A-3 PER MEMO #357

DATE	CHANGES
7-20-78	E.G.R. Hose Revised
9-04-78	Hoses Revised

