

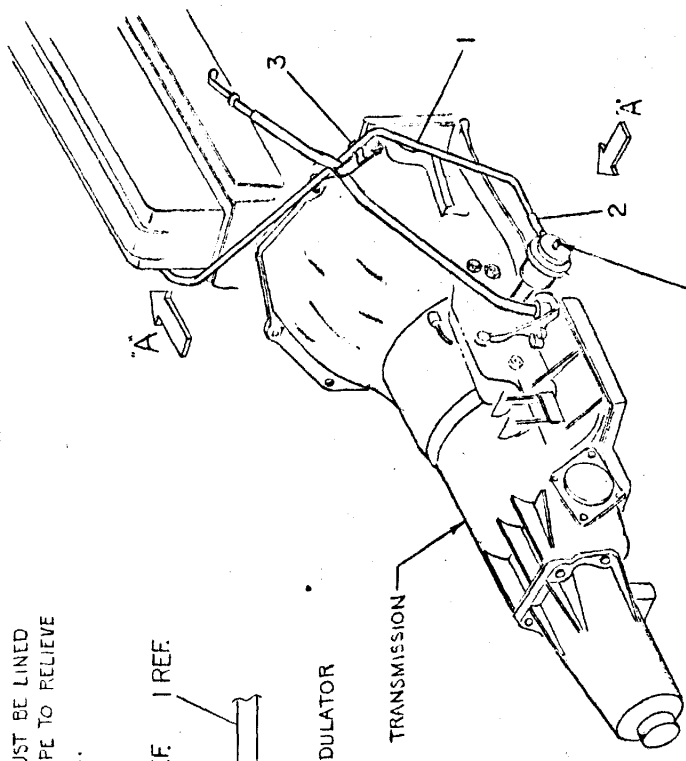
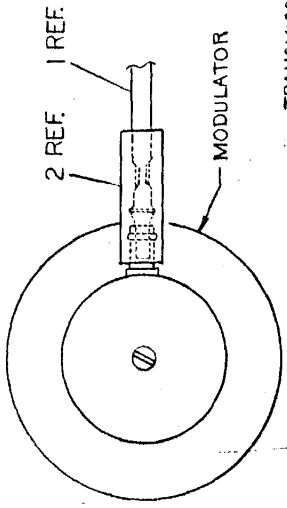
CHECKER MOTORS CORP. KALAMAZOO, MICH.

EFFECTIVE MODEL YEAR 1974

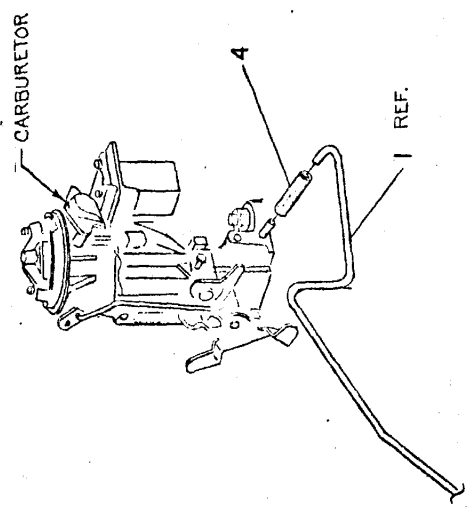
MODEL:	B-12	DATE	6-7-73
B-11	B-12E	GRAPHIC ILLUSTRATION	
B-11E	B-12W	TRANSMISSION CONTROLS - VACUUM; 6 CYL. HYDRAMATIC	
DWN. CHK.		SHEET NO.	415 B-1
APPVD.		SUPERSEDES G1.415A-3 PER MEMO #327	

NO.	DESCRIPTION	DATE	CHANGES
1.	706087 TUBE - TRANS. VACUUM CONT.		
2.	706390 HOSE - TRANS. VACUUM CONT. TUBE		
3.	626915 FASTENER - SPEED CLIP		
4.	706616 HOSE - CARB. TO TRANS. MOD. PIPE -VAC. (GREEN)	5-7-74	706616 WAS 706390

**IMPORTANT:** VACUUM TUBE MUST BE LINED UP WITH MODULATOR OUTPUT PIPE TO RELIEVE ANY TENSION OR STRAIN ON PIPE.



DO NOT CHANGE MODULATOR ADJUSTING SCREW SETTING. THIS SCREW HAS BEEN FACTORY CALIBRATED AND SEALED.



CHECKER MOTORS CORP. KALAMAZOO, MICH.

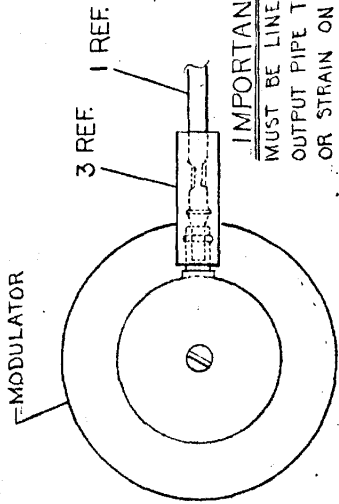
EFFECTIVE MODEL YEAR 1974

<b>MODEL:</b> B-11 B-11E B-12 B-12E B-12W	<b>DATE</b> 6-7-73	<b>DWN. BY</b> CHK.	<b>SHEET NO.</b> 415 B-2
1. 706088 TUBE - TRANS. VACUUM CONT. 2. 704694 HOSE - TRANS. VACUUM CONT. TUBE 3. 706390 HOSE - TRANS. VACUUM CONT. TUBE 4. 80352 CLIP - "J" TYPE 5. 704715 FITTING		APPVD. SUPERSEDES G.I. 415 A-4 PER MEMO #557	

GRAPHIC ILLUSTRATION

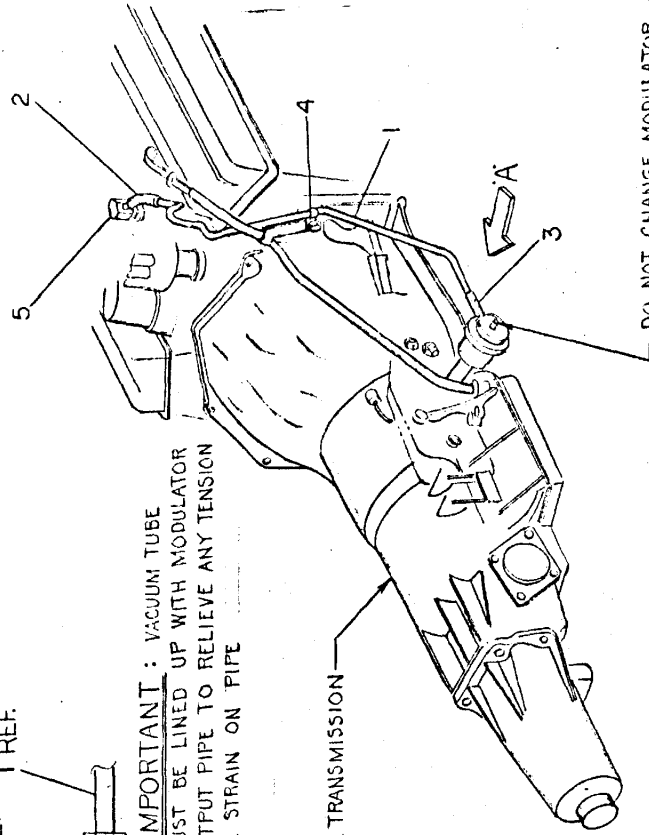
TRANSMISSION CONTROLS - VACUUM - 8 CYL. HYDRA-MATIC

DATE	CHANGES
9-20-73	704715 Added



**IMPORTANT:** VACUUM TUBE  
MUST BE LINED UP WITH MODULATOR  
OUTPUT PIPE TO RELIEVE ANY TENSION  
OR STRAIN ON PIPE

VIEW IN DIRECTION OF ARROW 'A'



DO NOT CHANGE MODULATOR ADJUSTING SCREW  
SETTING. THIS SCREW HAS BEEN FACTORY  
CALIBRATED AND SEALED