

CHECKER MOTORS CORP. KALAMAZOO, MICH.

EFFECTIVE MODEL YEAR 1974

MODEL:

A-12W

DATE

6-7-73

GRAPHIC ILLUSTRATION

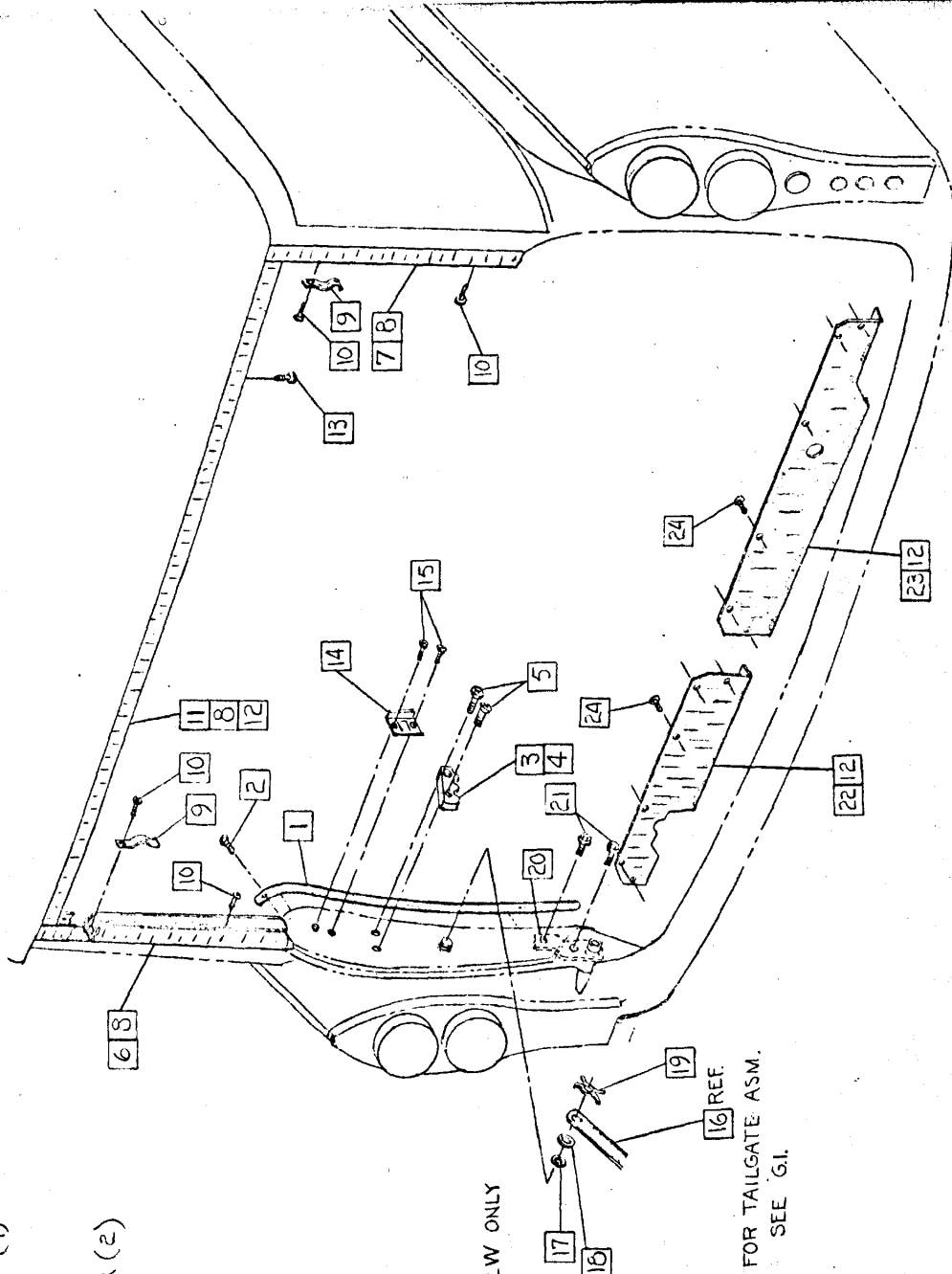
TAILGATE - BODY OPENING

DWN. CHK.

SHEET NO. 390 B-1

APPVD. SUPERSEDES G.I. 390A-1

- 1. 636068 MOLDING - TAILGATE OPENING LOWER (2)
- 2. 163098 SCREW #6 x 3/8 (2)
- 3. 636127 STRIKER - TAILGATE LOCK L.H.
- 4. 636128 STRIKER - TAILGATE LOCK R.H.
- 5. 626471 SCREW + E.T. L.W. ASM. 7/16-24 x 1 1/4 (4)
- 6. 635231 MOLDING ASM. - TAILGATE L.H.
- 7. 635232 MOLDING ASM. - TAILGATE R.H.
- 8. ML-103 SEALER 1/16 x 3/4 RUEEER TAPE
- 9. 636514 SPRING - TAILGATE GLASS TENSIONER (2)
- 10. 163184 SCREW #8 x 3/4 (4)
- 11. 635229 MOLDING + CHANNEL ASM.
- 12. ML-107 SEALER
- 13. 162662 SCREW #8 - 18 x 3/4 (5)
- 14. 643458 WEDGE ASM. TAILGATE (2)
- 15. 164349 SCREW #8 - 32 x 1/4 PAN (4)
- 16. 635066 SUPPORT ARM. ASM. (2)
- 17. 626478 WASHER 1/2 I.D. x 3/4 OD. WAVE (2)
- 18. 120395 WASHER 1/2 I.D. x 3/4 OD. (2)
- 19. 626482 "X" WASHER 1/4 DIA. (2)
- 20. 635100 HINGE ASM. TAILGATE (2)
- 21. 9414914 SCREW 3/8-24 x 1 HEX. SERR. (4)
- 22. 644703 SHIELD - STA. WAGON REAR. L.H.
- 23. 644704 SHIELD - STA. WAGON REAR. R.H. } A-12W ONLY
- 24. 163158 SCREW #8 x 3/8 (18)



16 REF.
FOR TAILGATE ASM.
SEE 'G1.

CHECKER MOTORS CORP. KALAMAZOO, MICH.

EFFECTIVE MODEL YEAR 1974

SHEET NO. 390 B-2

DWN. CHECKER
CHK.

APPVD. SUPERSEDES G.I. 390 A-2

GRAPHIC ILLUSTRATION

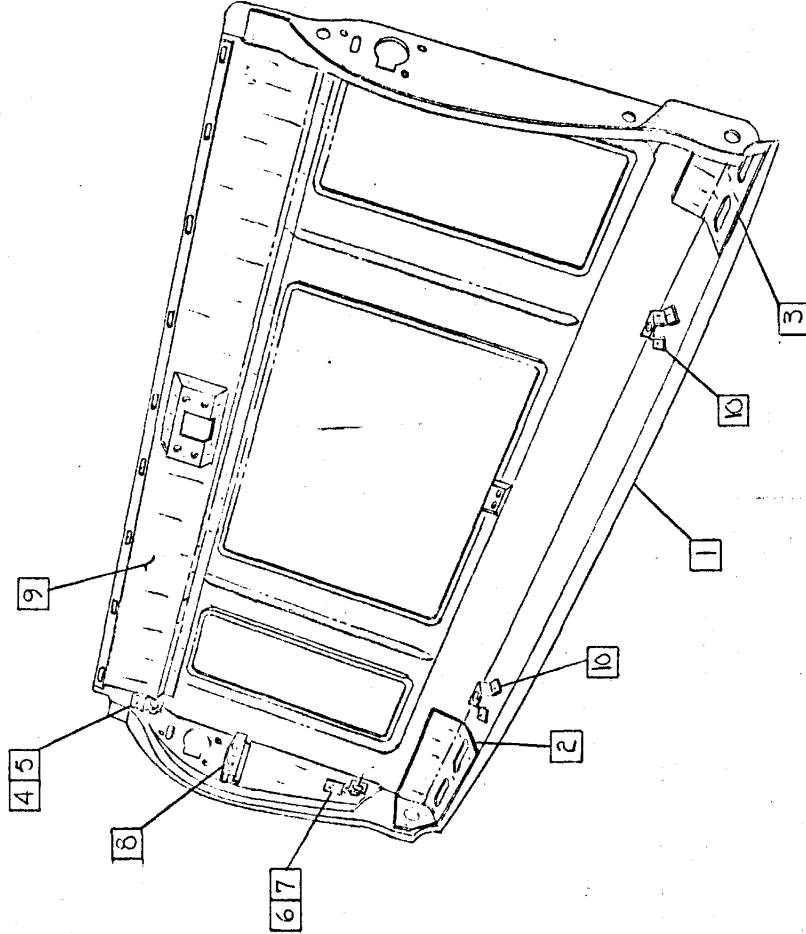
TAILGATE - MANUAL

MODEL: A-12W DATE 6-7-73

ALL PARTS LISTED ARE PART OF 635032 - PANEL

ASM. - TAILGATE INNER WELDED

1. 636331 PANEL - TAILGATE INNER
2. 636387 REINFORCEMENT - TAILGATE DOOR HINGE L.H.
3. 636388 REINFORCEMENT - TAILGATE DOOR HINGE R.H.
4. 636333 BRACKET - T/G GLASS RUN L.H.
5. 636334 BRACKET - T/G GLASS RUN R.H.
6. 636177 BRACKET - T/G GLASS RUN L.H.
7. 636176 BRACKET - T/G GLASS RUN R.H.
8. 635124 REINF. ASM. - T/G SUPT. - DOOR (2)
9. 636384 REINF. T/G INNER PANEL
10. 635207 BRACKET ASM. - T/G GLASS BUMPER (2)

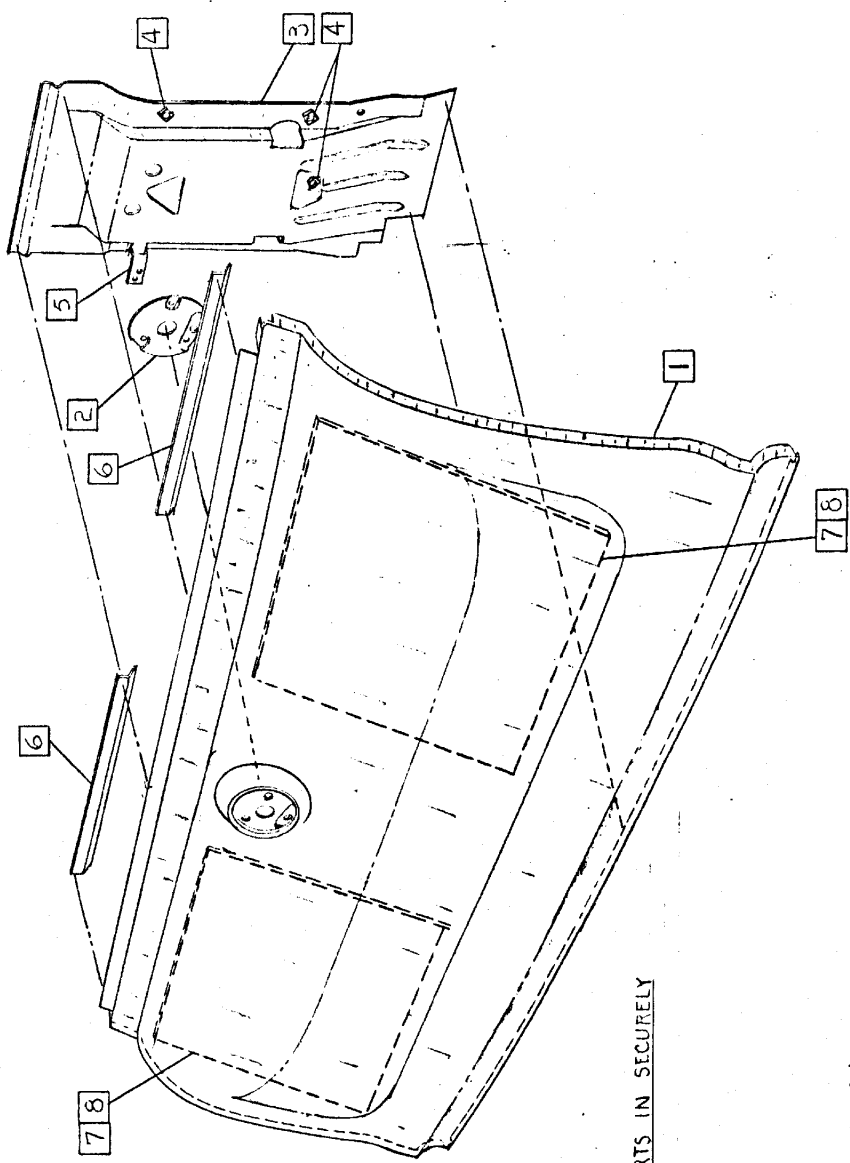


NOTE: WELD ALL PARTS IN SECURELY

CHECKER MOTORS CORP. KALAMAZOO, MICH.

EFFECTIVE MODEL YEAR 1974

MODEL:	A-12WS	DATE	6-7-73
	A-12W	GRAPHIC ILLUSTRATION	
		TAILGATE - MANUAL	
		DWN. DESIGNER	
		CHK.	
		SHEET NO.	390B-3
		APPVD.	SUPERSIDES 61.390A-3



NOTE: WELD ALL PARTS IN SECURELY

- 8. MA-113 CEMENT
- 7. 636522 DEADENER - T/G (2)
- 6. 636453 SUPPORT - T/G WEATHERSTRIP RETAINER. (2)
- 5. 636532 BRACKET - T/G LIMIT SW.
- 4. 626255 NUT 1/4-20 WELD. (5)
- 3. 636349 SUPPORT - T/G REG.
- 2. 636486 REINFORCEMENT - T/G REG. HANDLE MTG.
- 1. 636574 PANEL - T/G OUTER

ALL PARTS LISTED ARE PART OF 635067 - PANEL
A3M. - TAILGATE OUTER

CHECKER MOTORS CORP. KALAMAZOO, MICH.

EFFECTIVE MODEL YEAR 1974

MODEL:

A-12W

DATE

6-7-73

GRAPHIC ILLUSTRATION

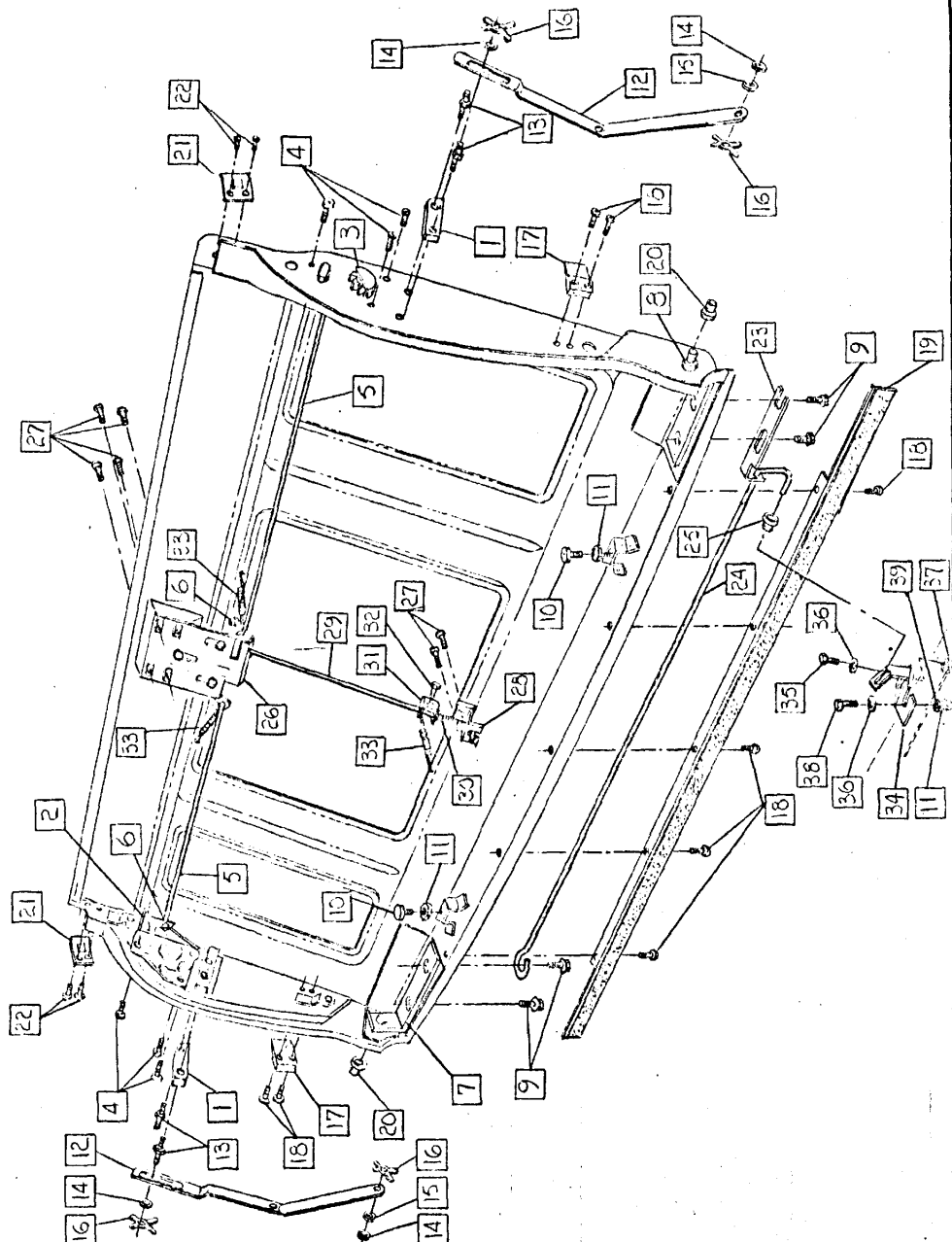
TAILGATE - MANUAL

DWN. BY
CHK.

SHEET NO. 390B-4

APPVD.
SUPERSEDES G.I. 390A-4

1. 636335 PLATE - T/G SUPPORT TAPPING (2)
2. 635013 LOCK ASM. - T/G L.H.
3. 635014 LOCK ASM. - T/G R.H.
4. 167987 SCREW * ET. LW. ASM. * 12-24 * 1/2 RHCR. (6)
5. 643582 ROD ASM. - T/G LOCK RELEASE (2)
6. 626485 NUT 3/2 SELF THREADING (4)
7. 635057 HINGE ASM. - T/G DOOR HALF L.H.
8. 635056 HINGE ASM. - T/G DOOR HALF R.H.
9. 9414914 SCREW 3/8 - 24 * 1 HEX. SERR. (4)
10. 635043 BUMPER ASM. - T/G GLASS (2)
11. 120375 NUT 1/4-20 HEX. (3)
12. 635066 SUPPORT ARM. ASM. - T/G (2)
13. 636336 PIN - T/G SUPPORT (4)
14. 626478 WASHER 1/2 ID. * 3/4 OD. SPRING. (4)
15. 120395 WASHER 1/2 ID. * 3/4 OD. (2)
16. 626482 "X" WASHER 1/4 DIA. (4)
17. 635107 BUMPER ASM. - T/G SUPPORT (2)
18. 163162 SCREW * 8 * 1/2 PHCR. (9)
19. 635228 RETAINER * W/SEAL ASM.
20. 636126 BUSHING - T/G HINGE (2)
21. 640676 STRIKER - T/G WEDGE (2)
22. 164349 SCREW * 8 - 32 * 1/4 PHCR. (4)
23. 636536 BRACKET - T/G TORSION ROD
24. 636540 ROD - T/G TORSION
25. 644619 ROLLER - T/G TORSION ROD
26. 635170 RELEASE ASM. - T/G LOCK
27. 273513 SCREW * ET. LW. ASM. * 10-24 * 1/2 (6)
28. 635186 BRACKET ASM. - T/G INTERLOCK ROD
29. 636466 ROD - T/G INTERLOCK
30. 656138 SPRING - T/G INTERLOCK
31. 626462 CLIP 1/4 ROD RETAINER
32. 162903 SCREW * 10 * 1/2
33. 94104 SPRING - T/G ANTI-RATTLE (3)
34. 636339 GUIDE - T/G TORSION ROD
35. 121300 BOLT 1/4-20 * 1 HEX. (2)
36. 120392 WASHER 3/2 ID. * 3/8 O.D. (2)
37. 626403 NUT, WASHER * SEALER ASM. 1/4-20 (2)
38. 121687 BOLT 1/4-20 * 3/4 HEX.
39. 120350 L.W. 1/4 MED. SPRING.



CHECKER MOTORS CORP. KALAMAZOO, MICH.

EFFECTIVE MODEL YEAR 1974

SHEET NO. 390 B-6

DWN. CHK. APPVD.

TAILGATE - MANUAL SUPERSEDES G.I. 390A-6

DATE

9-10-73

CHANGES

626927 WAS 626501

MODEL: A-12W A-12W5

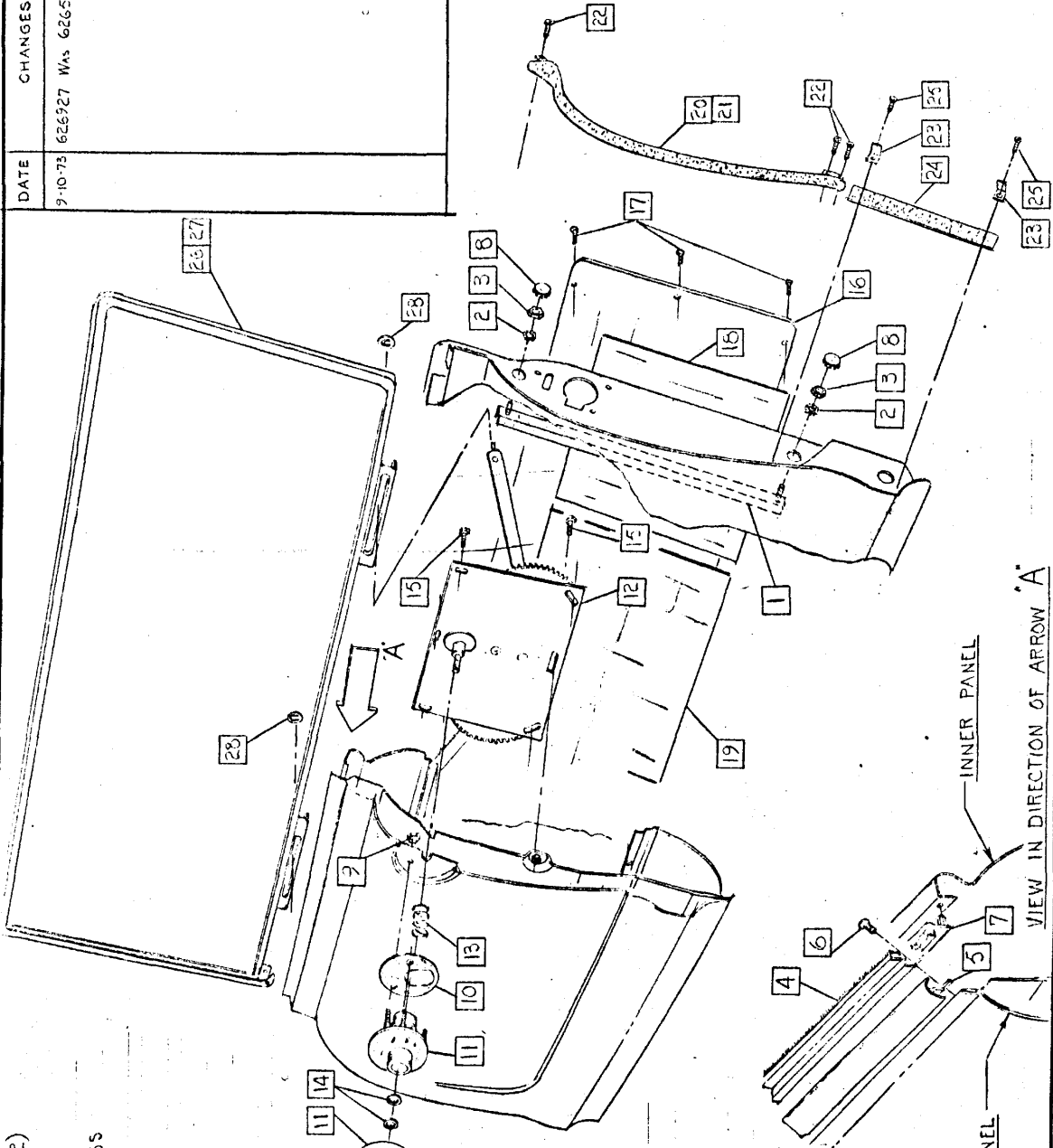
DATE

6-7-75

GRAPHIC ILLUSTRATION

TAILGATE - MANUAL

1. 635203 CHANNEL ASM. - T/G GLASS RUN (2)
2. 174916 L.W. 1/4 INT. - EXT. TOOTH (4)
3. 120375 NUT 1/4-20 HEX. (4)
4. 635069 W/STRIP + RETAINER ASM. - T/G GLASS
5. 636210 MOLDING - T/G DOOR
6. 163098 SCREW 7/8 x 3/8 (5)
7. 635018 W/STRIP ASM. - T/G GLASS INNER
8. 626927 PLUG BUTTON 3/4 HOLE (4)
9. 626441 NUT * 10 HEX PALNUT
10. 636497 SEAL - T/G RES. HANDLE
11. 643725 HANDLE ASM. - T/G
12. 635011 REGULATOR ASM. - T/G
13. 636535 SPRING - T/G REG
14. 636865 SPACER - T/G WDO. REG. (2)
15. 626449 SCREW + ET. LW. 1/4-20 x 1/2 (3)
16. 643525 PANEL ASM. - T/G INNER
17. 626456 SCREW + WASHER ASM 5/8 x 1/2 (12)
18. 636516 WATER DEFLECTOR - T/G
19. 636517 WATER DEFLECTOR - T/G
20. 635213 W/SEAL ASM. - T/G SIDE LH.
21. 635214 W/SEAL ASM. - T/G SIDE RH.
22. 163158 SCREW 8 x 3/8 (6)
23. 636787 BRACKET - T/G LOWER (4)
24. 636768 W/SEAL - T/G LOWER (2)
25. 164349 SCREW 7/8-32 x 1/4 (4)
26. 635205 GLASS + FRAME ASM. - T/G CLEAR
27. 643747 GLASS + FRAME ASM. - T/G TINTED
28. 625932 RETAINER - WINDOW REG. STUD (2)



EFFECTIVE MODEL YEAR 1974

CHECKER MOTORS CORP. KALAMAZOO, MICH.

SHEET NO. 390 B-5

DWN. BY: _____
CHK. _____

APPVD. _____
SUPERSEDES GI 390A-5

DATE _____
CHANGES _____

GRAPHIC ILLUSTRATION

TAILGATE - MANUAL

DATE

6-7-73

A-12WB

A-12W

- 1. 635231 MOLDING ASM. - T/G OPENING SIDE L.H.
- 2. 644931 MOLDING - T/G OPENING L.H.
- 3. 636245 WEATHERSEAL - T/G OPENING SIDE L.H.
- 4. 636059 CHANNEL - T/G GLASS RUN SIDE
- 5. 635232 MOLDING ASM. - T/G OPENING SIDE R.H.
- 6. 644932 MOLDING - T/G OPENING R.H.
- 7. 636246 WEATHERSEAL - T/G OPENING SIDE R.H.
- 8. 635229 MOLDING CHANNEL ASM. - UPPER
- 9. 636537 MOLDING - T/G OPENING UPPER
- 10. 636543 CHANNEL - T/G GLASS RUN - UPPER
- 11. 636053 FRAME - T/G GLASS
- 12. 636054 GLAZING - T/G GLASS FRAME
- 13. 636040 GLASS - T/G - CLEAR
- 14. 636513 GLASS - T/G - TINTED
- 15. 636055 GLAZING - T/G GLASS REG. CHANNEL
- 16. 635221 CHANNEL ASM. - T/G GLASS REG.
- 17. 163098 SCREW *6 x 3/8 PHCR. (2)

