

CHECKER MOTORS CORP. KALAMAZOO, MICH.

SHEET NO. 255 B-1

DWN. DEKKER
CHK.

GRAPHIC ILLUSTRATION

OIL FILTERS - INSTALLATION

DATE

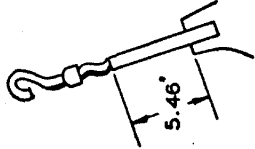
5-17-74

MODEL:
B-11 B-12 B-12W
B-11E B-12E B-12W8

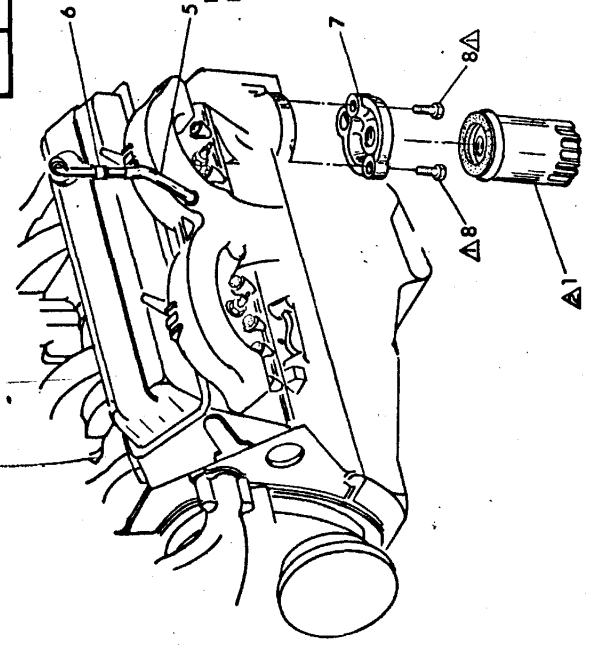
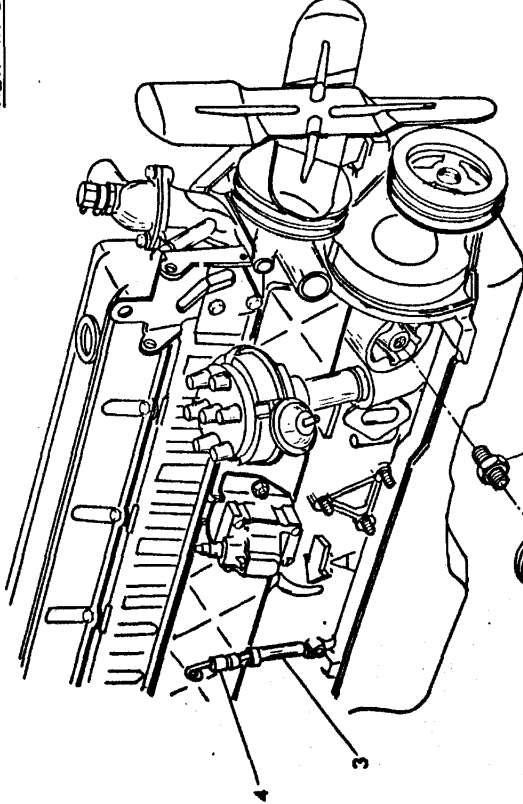
1. 703379 FILTER ASM. - OIL
2. 702110 CONNECTOR - OIL FILTER
3. FURN. ON ENG. - TUBE - OIL LEVEL GAGE
4. FURN. ON ENG. - GAGE - OIL LEVEL
5. 704113 TUBE - OIL LEVEL GAGE 8 CYL.
6. 703437 GAGE - OIL LEVEL 8 CYL.
7. 703413 ADAPTER + VALVE ASM. - OIL FILTER BY-PASS
8. 180080 BOLT $\frac{3}{8}$ -18 x $\frac{1}{8}$ HEX. (2)

CHANGES

DATE



VIEW IN DIRECTION OF ARROW 'A'



5 TUBE SHOULD BE INSERTED UNTIL TUBE BEAD IS AGAINST ENGINE BLOCK.

- 1 14 - 22 FT. LBS. TORQUE
- 2 20 - 25 FT. LBS. TORQUE
- 3 30 - 40 FT. LBS. TORQUE