

CHECKER MOTORS CORP. KALAMAZOO, MICH.

EFFECTIVE MODEL YEAR 1974

MODEL: A-12  
A-11  
A-11E

DATE  
8-15-73

GRAPHIC ILLUSTRATION  
HEATER DEFROSTER - INSTALLATION

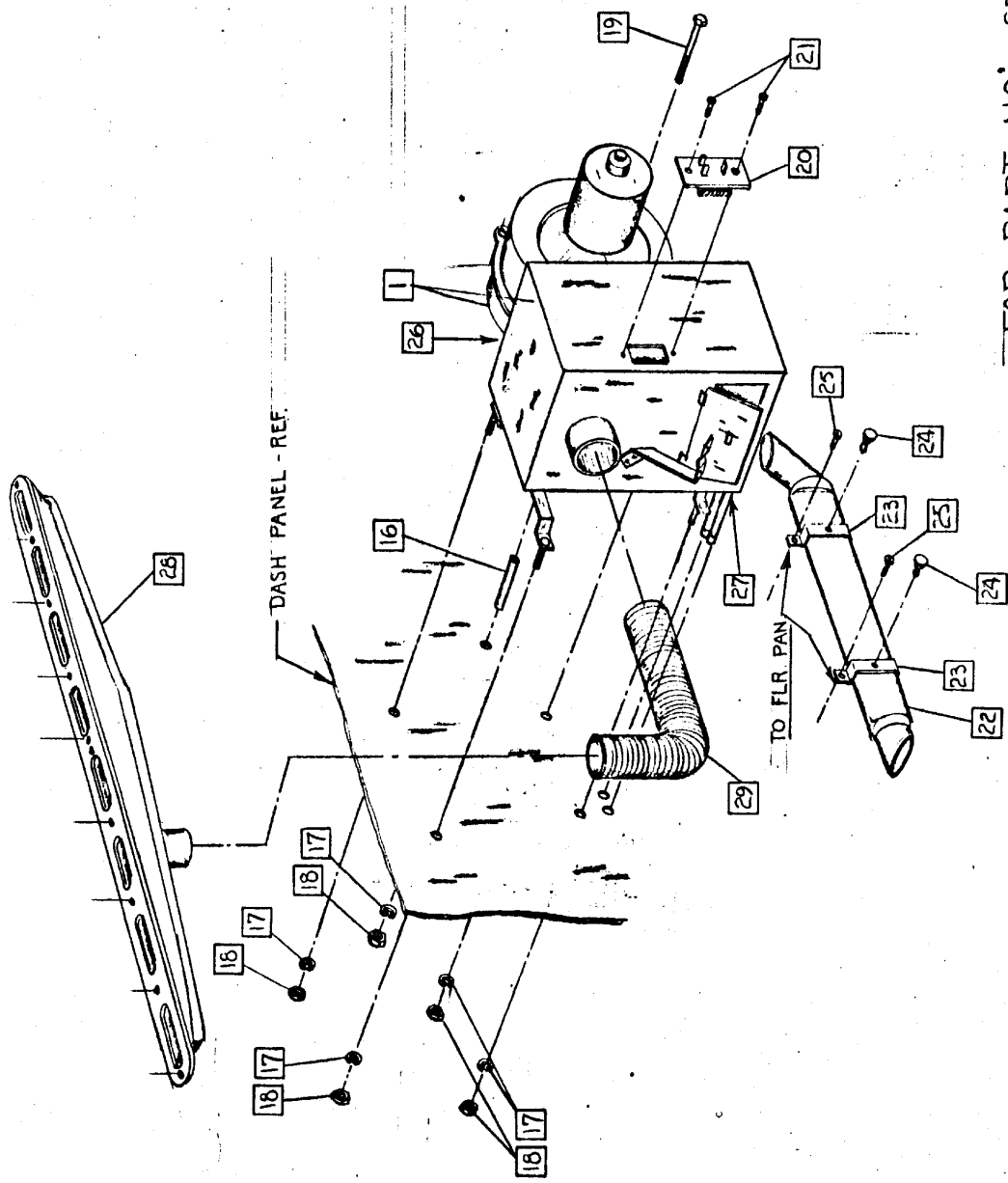
DWN. BY: [ ]  
CHK. [ ]  
APPVD. [ ]

SHEET NO. 220 B-1

37-PERSEDES G.I. 220A-5

DATE

CHANGES



FOR PART NO's SEE G.I. 220 B-2

CHECKER MOTORS CORP. KALAMAZOO, MICH.

EFFECTIVE MODEL YEAR 1974

SHEET NO. 220 B-2

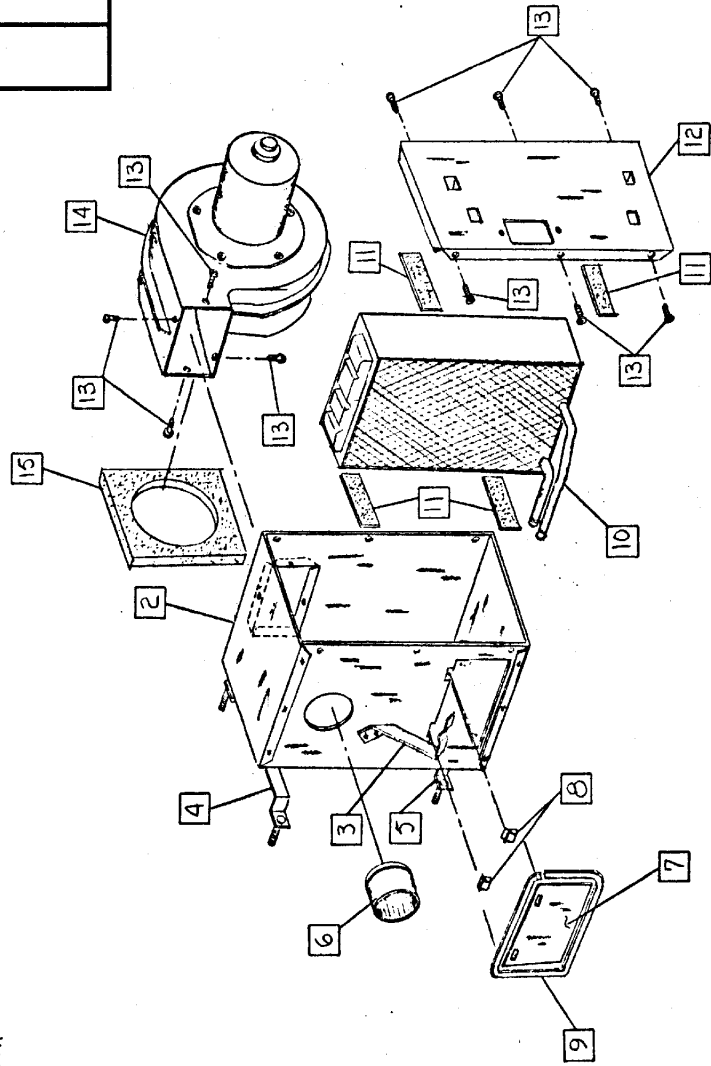
DWN. DEXTER  
CHK.

APPVD. SUPERSEDES GI 250A-4

GRAPHIC ILLUSTRATION  
HEATER - DEFROSTER - INSTALLATION

MODEL:	DATE	CHANGES
A-12	8-15-73	
A-12E		
A-12W		

1. 641451 HEATER ASM. - DASH MTG.
2. 634294 HOUSING - DASH MTG. HEATER
3. 634299 BRACKET - DASH MTG. HEATER CABLE.
4. 631822 BRACKET ASM. - DASH MTG HEATER
5. 639809 BRACKET ASM. - DASH MTG HEATER - LOWER
6. 632088 GROMMET - DEFROSTER HOSE
7. 634296 DOOR - DASH MTG. HEATER
8. 634337 HINGE - HEATER DOOR (2)
9. 634325 GASKET - DASH MTG. HEATER HOUSING - DOOR
10. 637203 CORE ASM. - DASH MTG. HEATER
11. 632265 INSULATOR - HEATER CORE (4)
12. 634794 COVER - DASH MTG. HEATER
13. 163158 SCREW #8 x 3/8 PHCR (10)
14. 641449 BLOWER ASM. - DASH MTG. HEATER - 10 AMP.
15. 640293 GASKET - HEATER BLOWER INLET
16. 634324 SPACER - BLOWER MTG TO DASH
17. 120380 L.W. 1/4 MED. SPRING (5)
18. 120375 NUT 1/4 - 20 HEX. (5)
19. 121973 BOLT 1/4 - 20 x 2 3/4 HEX.
20. 647035 RESISTOR ASM. - BLOWER
21. 161895 SCREW #10 x 1/2 PHCR (2)
22. 640461 DUCT - HEATER AIR
23. 640486 CLIP - HEATER DUCT RETAINER (2)
24. 626628 CLIP ASM. - TRIM. (2)
25. 161869 SCREW #8 x 3/8 PH.CR. (2)
26. MA-140 TAPE - WATERPROOF 1 1/2 WIDE PERMAGUM SLUGS
27. ML-106 DUCT + GASKET ASM. - DEFROSTER
28. 639233 HOSE - DEFR. 2 1/2 I.D.
- 29.



641451 HEATER ASM. - DASH MTG.

DATE	CHANGES
7-31-74	646714 Was 640232

EFFECTIVE MODEL YEAR 1974

CHECKER MOTORS CORP. KALAMAZOO, MICH.

MODEL: A-12  
A-11  
A-11E  
A-12W  
A-12E  
A-12W

DATE: 8-15-73

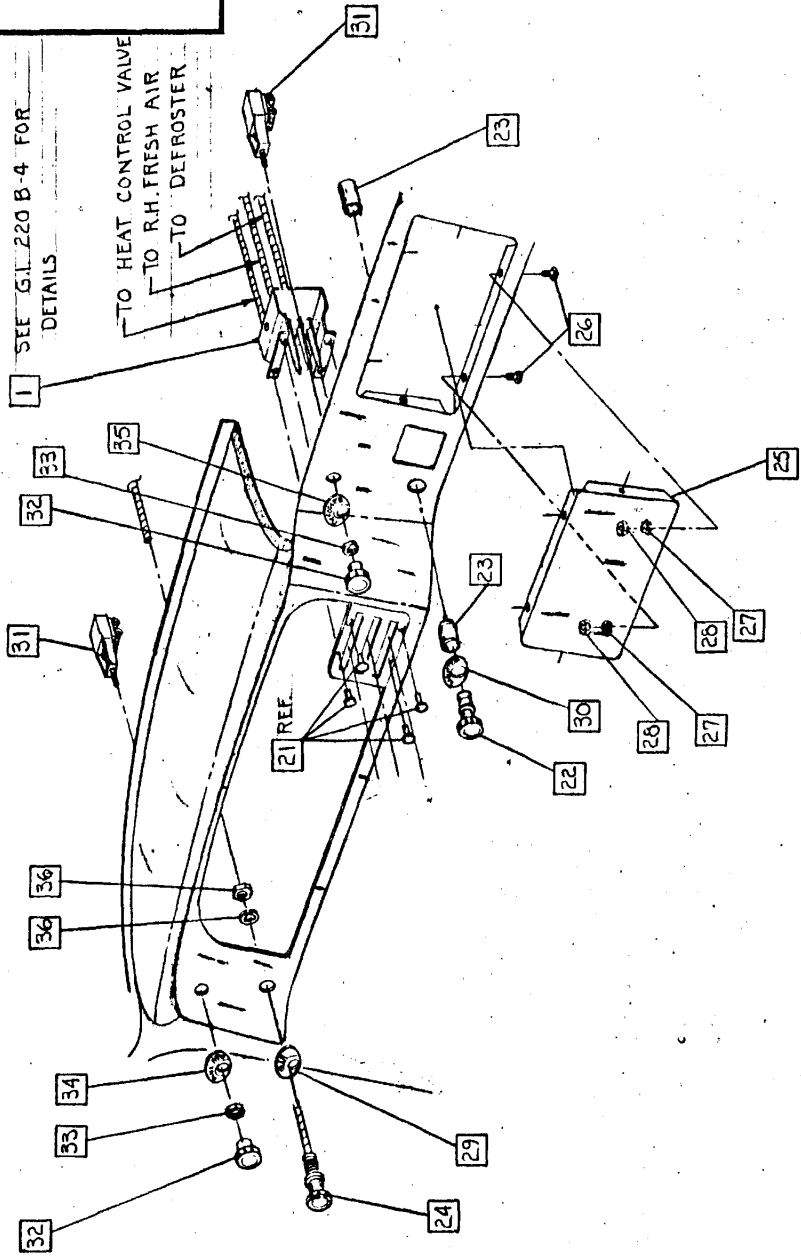
GRAPHIC ILLUSTRATION  
INSTRUMENT DASH \* HEATER \* FRESH AIR CONTROLS

DWN. BY: [ ]  
CHK. [ ]  
APPVD. SUPERSEDES G.I. 224 A-1

SHEET NO. 220 B-3

DATE	CHANGES

FOR PART NO's SEE G.I. 220 B-4

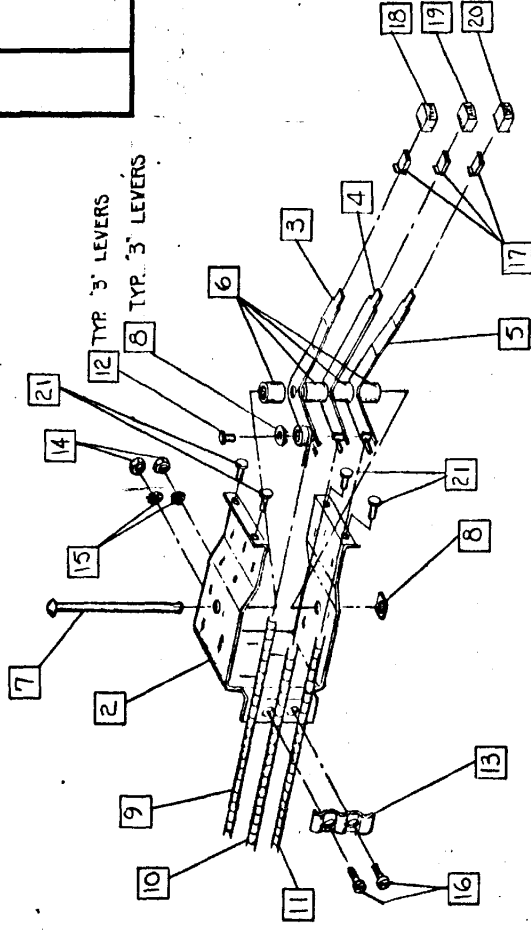


CHECKER MOTORS CORP. KALAMAZOO, MICH.

EFFECTIVE MODEL YEAR 1974

MODEL:	A-12	DATE	
A-11	A-12WB	8-15-73	
A-11E	A-12W		
GRAPHIC ILLUSTRATION			
INSTRUMENT DASH - HEATER + FRESH AIR CONTROLS			
DWN. CHECKER	SHEET NO. 220B-4	DATE	CHANGES
CHK.			
APPVD.	SUPERSEDES G1 234A-2		

1. 647928 CONTROL ASM. - HEATER
2. 646505 BRACKET - HEATER CONTROL
3. 646506 LEVER - TEMP. CONTROL
4. 640565 LEVER - HEATER CONTROL
5. 646507 LEVER - DEFROSTER CONTROL
6. 634095 SPACER - HEATER CONTROL LEVER (4)
7. 107561 RIVET  $\frac{3}{16}$  x  $2\frac{1}{2}$
8. 626409 NUT  $\frac{3}{16}$  PUSH ON (4)
9. 647923 CABLE ASM. - TEMP. CONTROL
10. 647922 CABLE ASM. - FRESH AIR CONTROL
11. 647921 CABLE ASM. - DEFROSTER CONTROL
12. 626547 CLIP - TUBULAR (5)
13. 634097 CLIP - HEATER CONTROL CABLES
14. 134530 NUT \*6-32 HEX. (2)
15. 136473 L.W. \*6 EXT. TOOTH (2)
16. 131899 SCREW \*6-32 x  $\frac{1}{2}$  FILL HD. SLOTT.
17. 626420 RETAINER - TINN. (3)
18. 634546 KNOB - TEMP.
19. 634547 KNOB - AIR
20. 634549 KNOB - DEF.
21. 626642 RIVET  $\frac{3}{16}$  DIA. POP (4)
22. 97631 KNOB \* PLUG ASM. - CIGAR LIGHTER
23. 97632 SOCKET ASM. - CIGAR LIGHTER
24. 93293 CONTROL ASM. - L.H. FRESH AIR
25. 630554 PLATE - METER OPENING COVER
26. 132900 SCREW \*10-32 x  $\frac{3}{8}$  R.H. SLOTT (4)
27. 138479 L.W. \*10 EXT. TOOTH (4)
28. 120614 NUT \*10-32 HEX. (4)
29. 646512 LABEL - AIR.
30. 646513 LABEL - LIGHTER
31. 635534 SWITCH ASM. - FLOOR MTD. HEATER
32. 631960 KNOB \* SCREW. ASM. - W/S WIPER CONTROL
33. FURN ON SW. - NUT
34. 646514 LABEL - AUX. HEAT
35. 646515 LABEL - DEFROGER
36. FURN. ON 24



CHECKER MOTORS CORP. KALAMAZOO, MICH.

MODEL: A-12 A-12E A-12W  
 A-11 A-12E A-12W  
 A-11E A-12W

DWN. BY: [ ]  
 CHK. [ ]

GRAPHIC ILLUSTRATION  
 HEATER CONTROLS

DATE  
 8-15-73

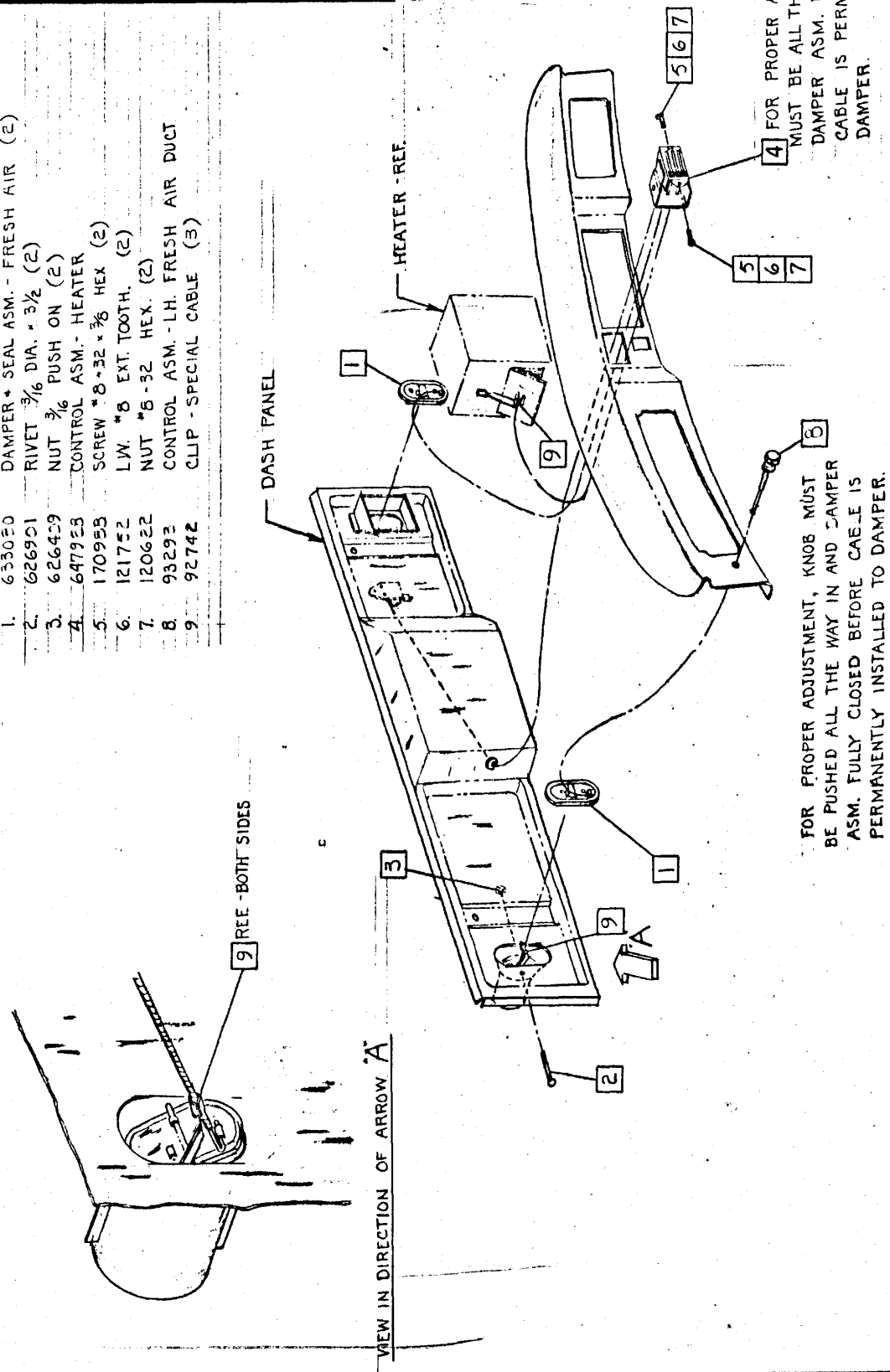
MODEL: A-12 A-12W8  
 A-11 A-12E A-12W  
 A-11E A-12W

SHEET NO. 220 B-5

APPVD. SUPERSEDES GI. 230A-5

DATE	CHANGES

- 1. 633050 DAMPER SEAL ASM. - FRESH AIR (2)
- 2. 626901 RIVET 3/16 DIA. x 3/2 (2)
- 3. 626429 NUT 3/16 PUSH ON (2)
- 4. 647923 CONTROL ASM. - HEATER
- 5. 170955 SCREW \*8-32 x 3/8 HEX (2)
- 6. 121752 LW. \*8 EXT. TOOTH. (2)
- 7. 120622 NUT \*8-32 HEX. (2)
- 8. 93293 CONTROL ASM. - LH. FRESH AIR DUCT
- 9. 92742 CLIP - SPECIAL CABLE (3)



FOR PROPER ADJUSTMENT, CENTER LEVER MUST BE ALL THE WAY TO THE LEFT AND DAMPER ASM. FULLY CLOSED BEFORE CABLE IS PERMANENTLY INSTALLED TO DAMPER.

FOR PROPER ADJUSTMENT, KNOB MUST BE PUSHED ALL THE WAY IN AND DAMPER ASM. FULLY CLOSED BEFORE CABLE IS PERMANENTLY INSTALLED TO DAMPER.