

CHECKER MOTORS CORP. KALAMAZOO, MICH.

GRAPHIC ILLUSTRATION

SHEET NO. 230 B-1

DWN. DEKNER
CHK.

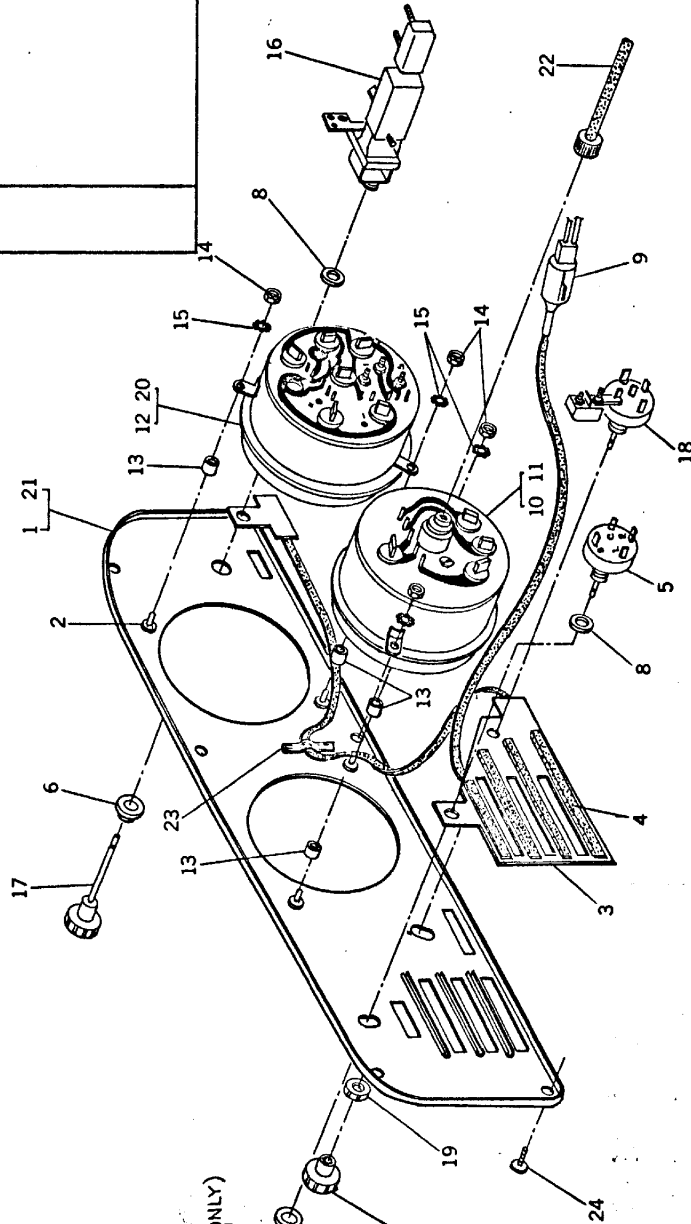
MODEL:	DATE
A-12	12-4-73
A-12E	A-12W 8
A-12W	

651853 PANEL ASM. - INST. COMPLETE

INSTRUMENT DASH WIRING

DATE	CHANGES
7-31-74	651853 Was 651758
~	651815 Was 651759

1. 646502 PANEL - INST. MTG.
2. 626201 BOLT #10-32 x 1/2 OHIO WELD (4)
3. 647925 RIBBON ASM. - FIBER OPTIC
4. 640647 STRIP 1/4 x 3 3/4 x 3/32 THK (4)
5. 639318 SWITCH ASM. - ROTARY FAN
6. 627297 PLATE - SW. FACE (2)
7. 631960 KNOB - SCREW ASM. - CONTROL (2)
8. 120388 WASHER 1/16 ID x 1 OD (2)
9. 647926 SOCKET, BULB - WIRE ASM.
10. 647917 SPEEDOMETER ASM.
11. 647918 SPEEDOMETER ASM. - KILLO.
12. 651719 GAUGE CLUSTER ASM. - FUEL
13. 646496 SPACER - GAUGE MTG. INST. PANEL (4)
14. 120614 NUT #10-32 HEX. (4)
15. 138479 L.W. #10 EXT. TOOTH (4)
16. 93814 SWITCH ASM. - HEADLIGHT
17. 93820 KNOB - STEM ASM. - HD. LIGHT SW.
18. 651815 SWITCH ASM. - W/S WIPER + WASH.
19. 630532 NUT - HOLDING W/S WIPER
20. 647919 GAUGE CLUSTER ASM. - FUEL (AEROBUS ONLY)
21. 647916 PANEL ASM. - INST. MTG.
22. 705150 CABLE ASM. - SPEEDO.
23. MA-109 TAPE 3" x 1"
24. 626896 SCREW - WASHER ASM. 3/8 x 3/4 (6)



SEQUENCE OF ASSEMBLY

1. ASSEMBLE ITEMS 12-10 (OR 11), WITH ITEMS 13, 14, 15.
2. ASSEMBLE ITEM 3 IN POSITION WITH ITEMS 16, 8, 6, 17 AND ITEM 18, 19, 7, AND ITEMS 5, 8, 6, 7.
3. ASSEMBLE ITEMS 4, 9 TO ITEM 3.
4. ASSEMBLE ITEM 23 TO ITEM 3. CARE IS TO BE TAKEN THAT THE RIBBON ON ITEM 3 IS NOT OR WILL NOT FALL BELOW THE FLANGE ON ITEM 1.

CHECKER MOTORS CORP. KALAMAZOO, MICH.

EFFECTIVE MODEL YEAR 1974

DWN. DESG.
CHK.

GRAPHIC ILLUSTRATION

DATE

MODEL:

WIRING - INSTRUMENT DASH

5-3-73

A-12
A-12L
A-11E A-12W

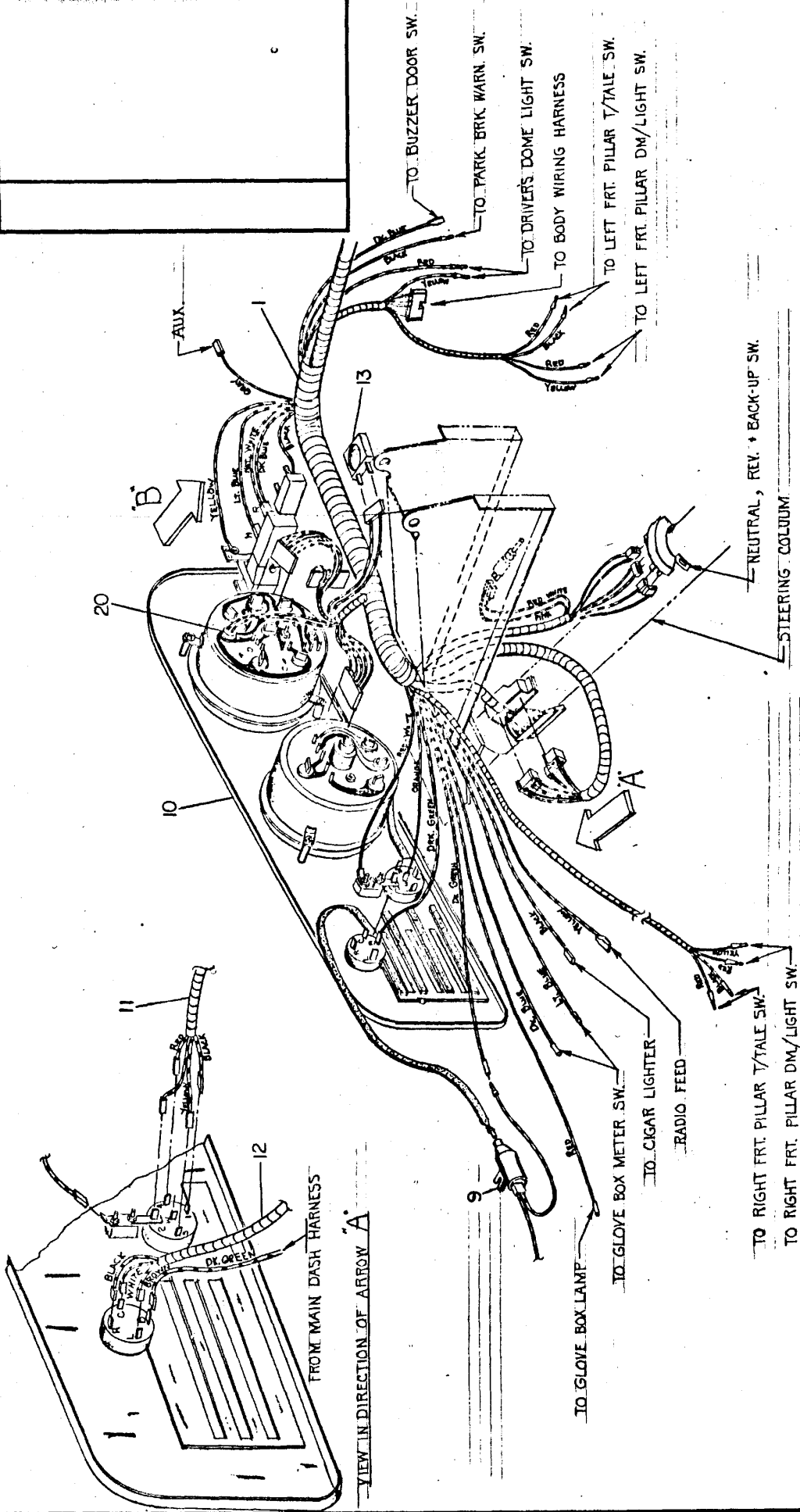
SHEET NO.

230 B-2

APPVD. SUTHERDEDS GI-460 A-7 PER MEMO 7552

CHANGES

DATE



CHECKER MOTORS CORP. KALAMAZOO, MICH.

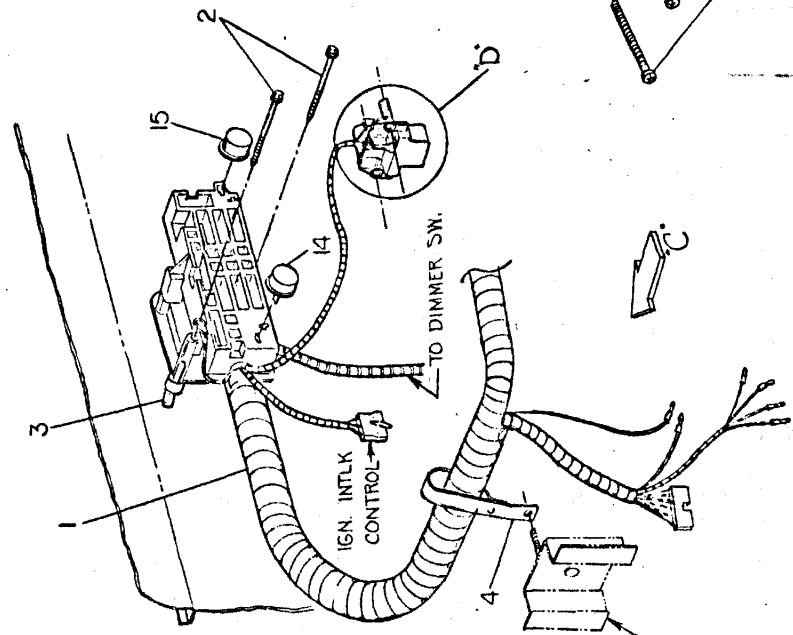
EFFECTIVE MODEL YEAR 1974

MODEL:	A-12	DATE	5-4-73
A-11	A-12E	GRAPHIC ILLUSTRATION	
A-11E	A-12W	WIRING - INSTRUMENT DASH	
SHEET NO. 230 B-3		APPVD. SUPERSEDES G1 460 A-8 PER MEMO *332	

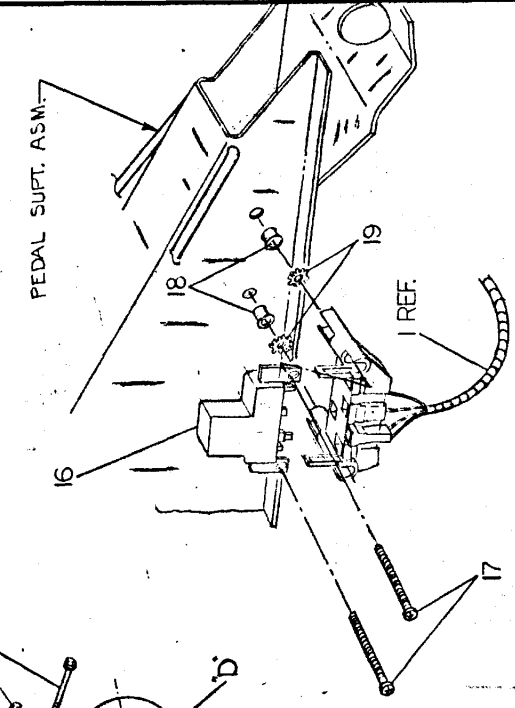
MODEL:	DATE	CHANGES
1. 651716	7-27-72	94,652-7 Added
2. 626918	11-21-72	651780 Was 647618
3. 626917	7-31-74	651817 Was 647932
4. 646664	~	651853 Was 651758

1. HARNESS ASM. - INST. DASH WIRING
2. SCREW #10-16 x 3 HEX. W/HD TAPP. (2)
3. NUT - TINN. J' TYPE (2)
4. CLIP
5. SCREW 1/4-20 x 3/8 THCR
6. NUT * L.W. ASM. - 1/4-20 HEX.
7. L.W. 3/16 MED. SPRING
8. NUT 3/16-18 HEX.
9. SOCKET, BULB * WIRE ASM.
10. PANEL ASM. - INST. COMPLETE
11. HARNESS ASM. - ELEC. W/S WIPER
12. WIRING HARNESS - HEATER SW.
13. BUZZER ASM. WARNING
14. FLASHER - DIR. SIG. * WARN.
15. FLASHER - FIXED LOAD
16. CONTROL ASM. - CRANKING MTR.
17. SCREW #10-24 x 2 PHCR. (2)
18. NUT #10-24 BLIND CAPTIVE (2)
19. L.W. *10 EXT. TOOTH (2)
20. BULB

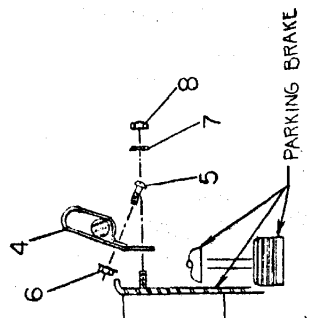
VIEW IN DIRECTION OF ARROW 'B'



VIEW IN CIRCLE 'D'



PANEL - COWL SIDE



VIEW IN DIRECTION OF ARROW 'C'

BRACKET FOR MTS PARK BRK.