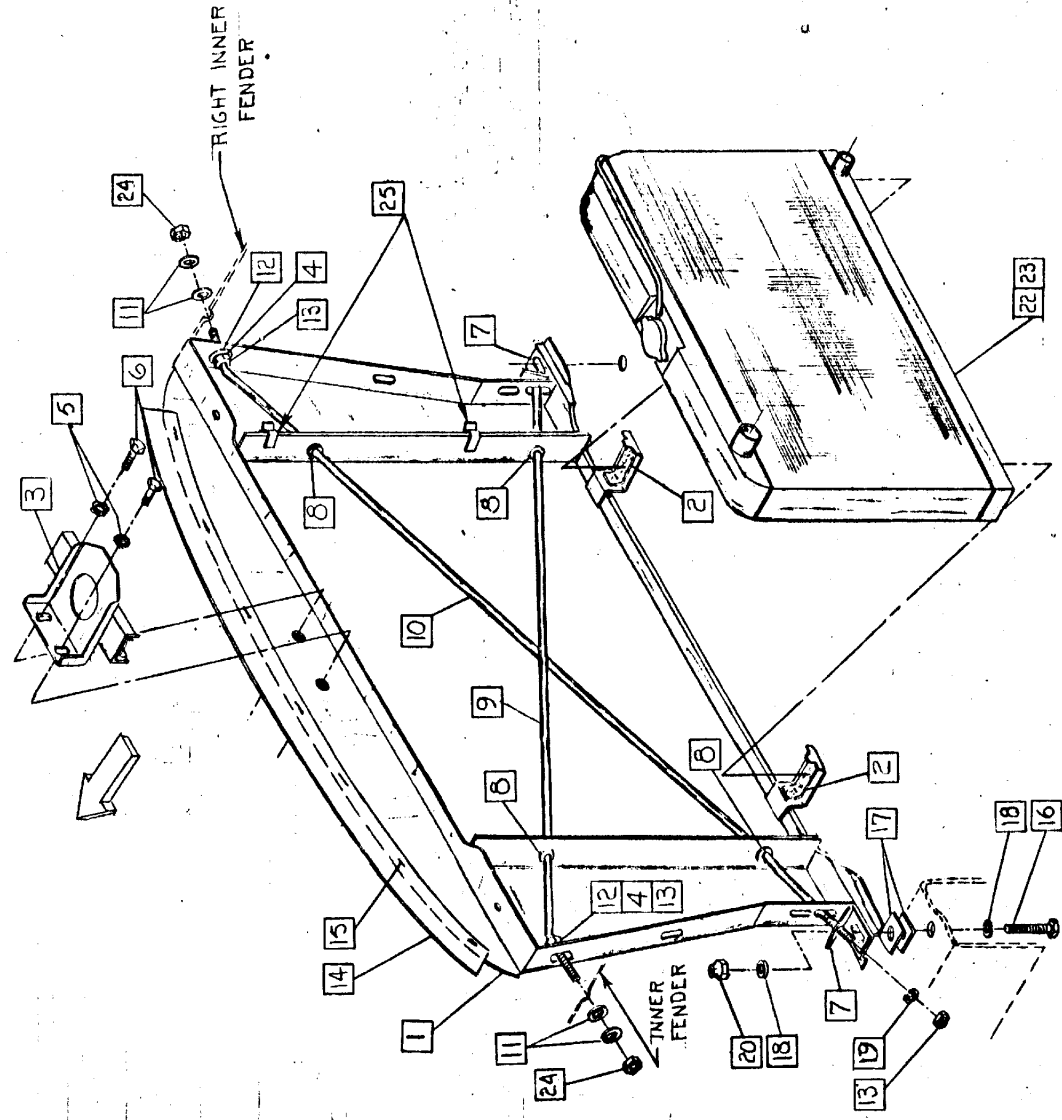


CHECKER MOTORS CORP. KALAMAZOO, MICH.

EFFECTIVE MODEL YEAR 1974

MODEL:	A-12	DATE	7-12-73
A-11	A-12WB		
A-11E	A-12W		
GRAPHIC ILLUSTRATION		FRONT END ASM. - RADIATOR + SUPPORT	
DWN.	7-12-73	SHEET NO.	190 B - 1
CHK.		SUPERSEDES G.I. 190A-1	
APPVD.			

1. 647218. PANEL ASM. - RADIATOR SUPT.
2. 702088. PAD - RAD. MTG. LOWER (2)
3. 647930. BRACKET + PAD ASM. - RAD. MTG. UPPER
4. 120393. WASHER 1/32 ID. x 3/16 OD (2)
5. 178566. L.W. 3/8 INT. EXT. TOOTH (2)
6. 181595. BOLT 3/16 - 24 x 3/4 HEX. (2)
7. 645707. BRACKET ASM. - RAD. SUPT. RODS. (2)
8. 626604. GROMMET (4)
9. 646151. ROD - RAD. SUPPORT - REAR
10. 646152. ROD - RAD. SUPPORT - FORWARD
11. 626504. WASHER 1/32 ID. 1 1/2 OD. CROWN (4)
12. 446477. WASHER 7/16 ID. x 1 3/8 OD. (2)
13. 120368. NUT 5/16 - 24 HEX. (4)
14. 640573. SEAL - RAD. SUPPORT
15. 626614. CLIP - RAD. SEAL RETAINER (7)
16. 626892. BOLT 3/8 - 16 x 2 HEX. (2)
17. 640597. SHIM - RAD. SUPT. MTG. (4)
18. 706271. WASHER 1 OD. x .3911 LD. (4)
19. 120214. L.W. 5/16 MED. SPRING (2)
20. 626779. NUT 3/8 - 16 HEX. (2)
- 21.
22. 701716. RADIATOR ASM. - 1 1/4" CORE, 12 FIN.
23. 701717. RADIATOR ASM. - 2" CORE, 15 FIN.
24. 626851. NUT 3/16 - 24 HEX (2)



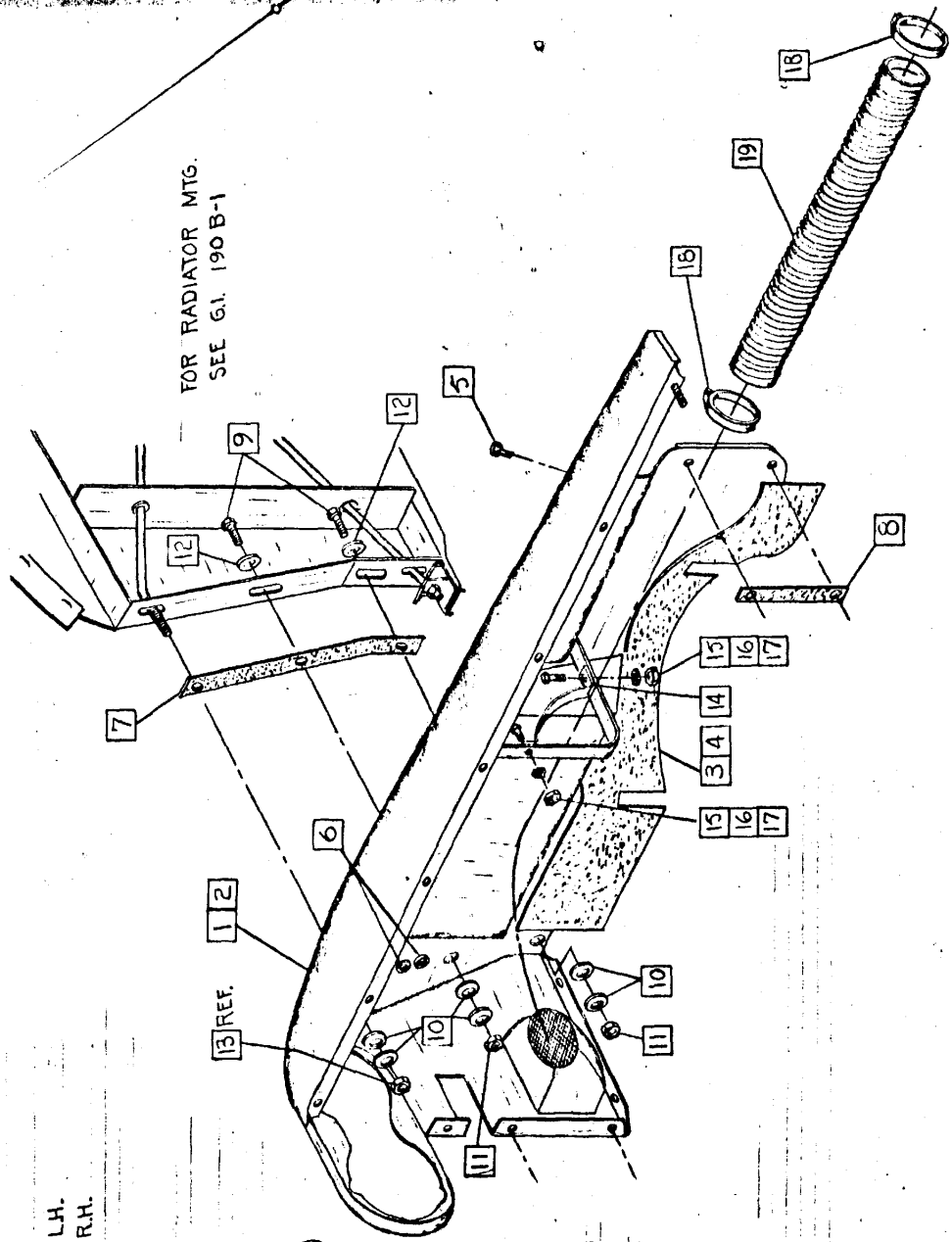
1-22-74 701715 Revised.
8-24-73 446477 (2) Rad. Ws. (4) Rad.

CHANGES

MODEL:	DATE
A-12	A-12W8
A-11E	7-12-73
A-12W	

ALL PART NUMBERS AND NUMBER REQ'D ARE FOR BOTH LEFT & RIGHT HAND SIDES UNLESS SPECIFIED

1. 647101 PANEL ASSEM. - FRT. FENDER - INNER LH.
2. 647102 PANEL ASSEM. - FRT. FENDER - INNER RH.
3. 630455 FLAP - FRT. FENDER MUD - LH.
4. 640576 FLAP - FRT. FENDER MUD - RH.
5. 622595 BUMPER - HOOD (10)
6. 634104 GROMMET - SLIT (4)
7. 634227 SEAL - RAD. SUPT. (2)
8. 634433 SEAL - FRT. BODY MTG BRKT. (2)
9. 181608 BOLT $\frac{5}{16}$ - 24 * 1 HEX. (4)
10. 626504 WASHER $\frac{1}{32}$ I.D. * $1\frac{1}{2}$ O.D. CROWN (12)
11. 626851 NUT $\frac{5}{16}$ - 24 HEX. (4)
12. 446477 WASHER $\frac{7}{16}$ I.D. * $1\frac{3}{8}$ O.D. (4)
13. 120368 NUT $\frac{3}{16}$ - 24 HEX. (2) REF. ONLY
14. 634075 CLAMP - FRESH AIR DUCT (2)
15. 120854 BOLT $\frac{1}{4}$ - 20 * $\frac{7}{8}$ HEX. (4)
16. 174916 L.W. $\frac{1}{4}$ INT - EXT. TOOTH (4)
17. 120375 NUT $\frac{1}{4}$ - 20 HEX. (4)
18. 451246 CLAMP ASSEM. (4)
19. 637195 DUCT ASSEM. (2)

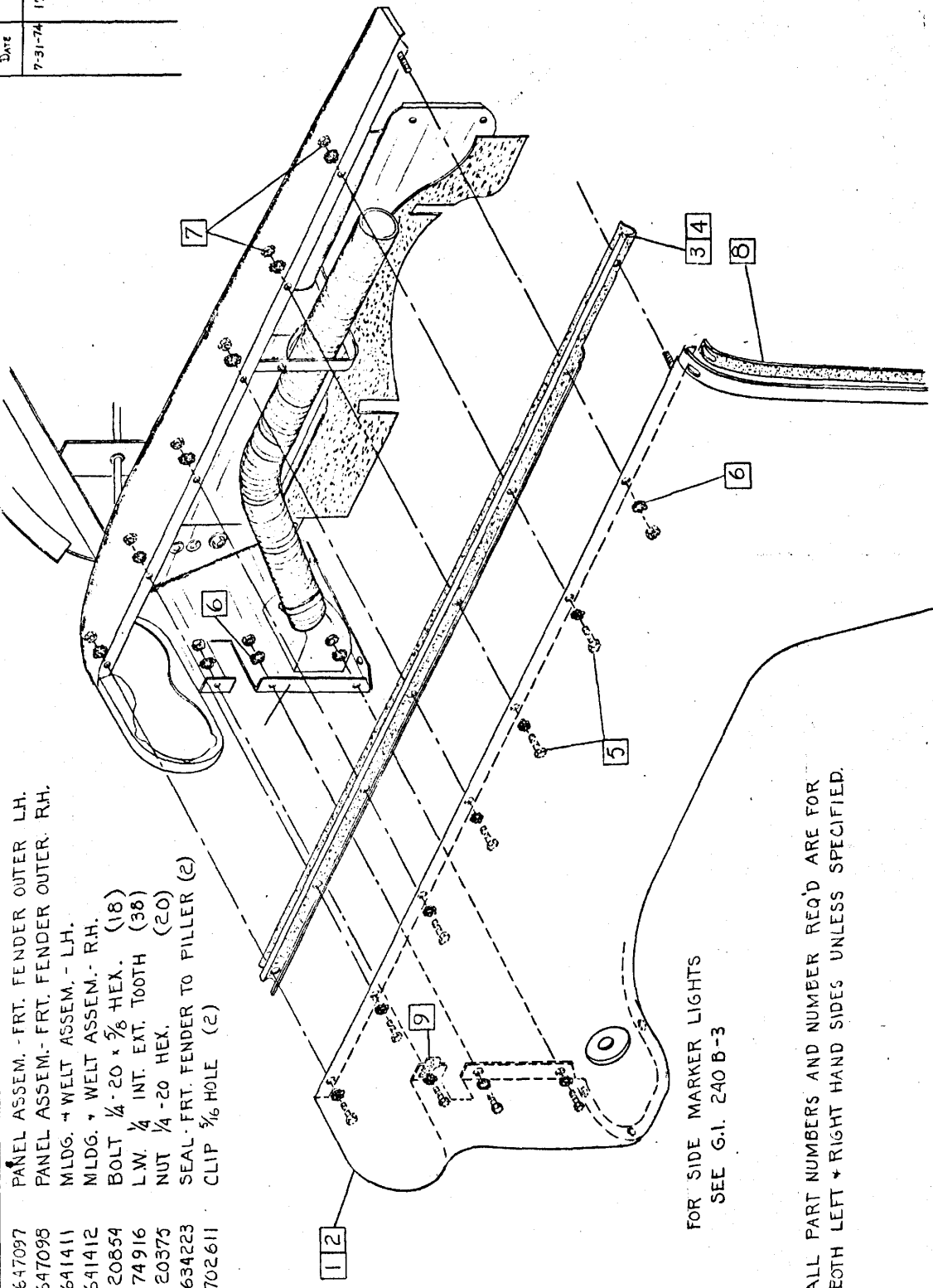


CHANGE'S

CHECKER MOTORS CORP. KALAMAZOO, MICH.

EFFECTIVE MODEL YEAR 1974

MODEL:	B-12	DATE	7-12-73
B-11	B-12 E	B-12W5	
B-11E	B-12 W		
GRAPHIC ILLUSTRATION		SHEET NO. 190 B-3	
FRONT END ASSEM. - OUTER FENDER MTG.		SUPERSEDES G.I. 190 A-3	
APPVD.		DATE	CHANGES
		7-31-74	174916 (38) Req'd WAs (20)



1. 647097 PANEL ASSEM. - FRT. FENDER OUTER LH.
2. 647098 PANEL ASSEM. - FRT. FENDER OUTER. RH.
3. 641411 MLDG. + WELT ASSEM. - LH.
4. 641412 MLDG. + WELT ASSEM. - RH.
5. 120854 BOLT 1/4 - 20 x 5/8 HEX. (18)
6. 174916 L.W. 1/4 INT. EXT. TOOTH (38)
7. 120375 NUT 1/4 - 20 HEX. (20)
8. 634223 SEAL - FRT. FENDER TO FILLER (2)
9. 702611 CLIP 3/8 HOLE (2)

FOR SIDE MARKER LIGHTS
SEE G.I. 240 B-3

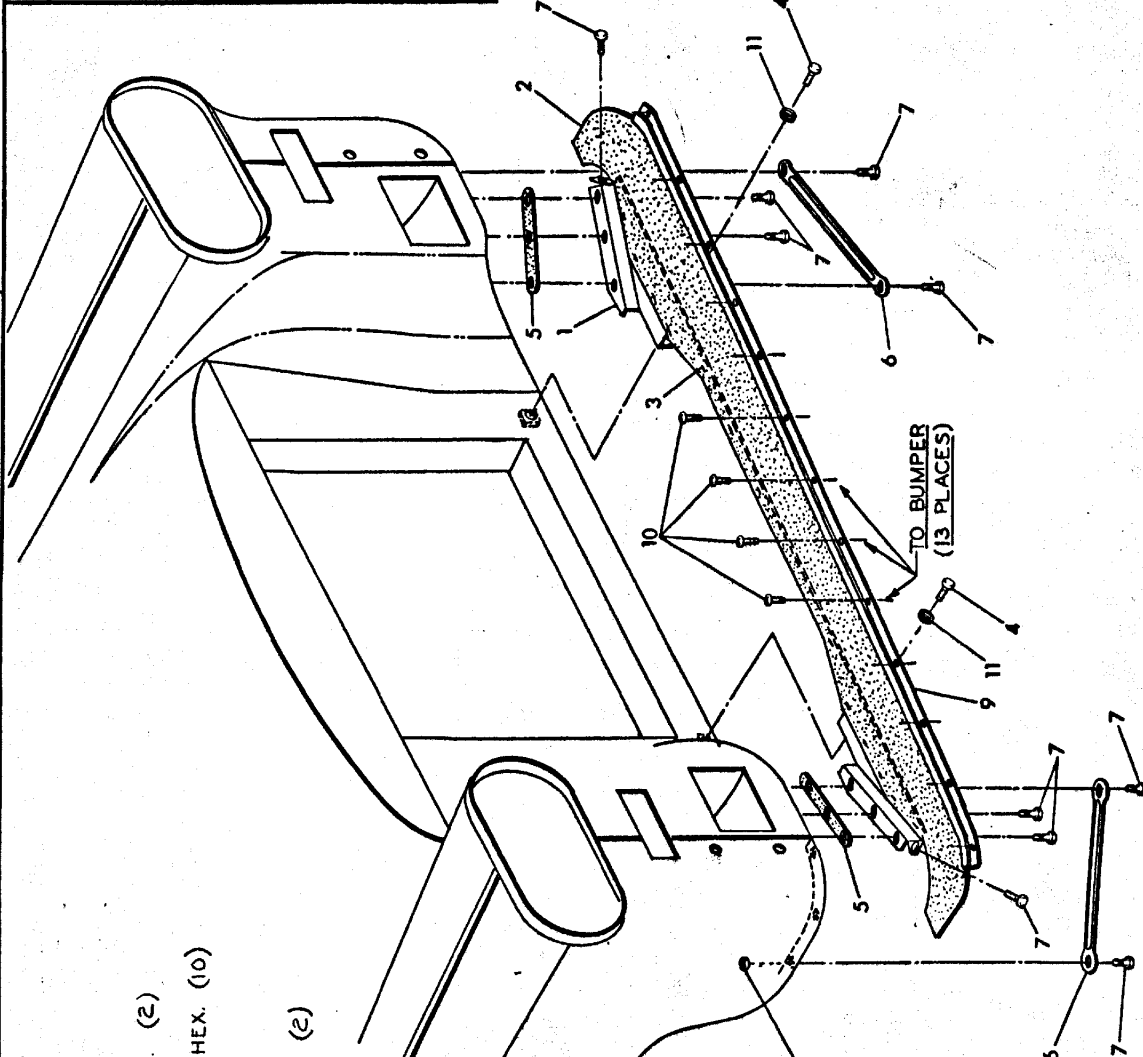
ALL PART NUMBERS AND NUMBER REQ'D ARE FOR
EOTH LEFT + RIGHT HAND SIDES UNLESS SPECIFIED.

CHECKER MOTORS CORP. KALAMAZOO, MICH.

MODEL:	DATE	SHEET NO.
A-11	7-12-73	190 B-4
A-12	A-12W	
A-11E	A-12W6	
FRONT END ASM. - SPLASH PANEL		
DWN. DEKKER		
CHK.		
SUPERSEDES G.I. 190 A-4 PER MEMO # 330		

DATE	CHANGES
4-18-74	646709 + 163184 Added
7-31-74	120854 + 626930 WCRE 626543
9-19-74	163158 Was 163184

- 651735 EXTENSION + PANEL ASM. - FRT. SPLASH.
- 1. 646679 PANEL - FRT. SPLASH
- 2. 646678 EXTENSION - FRT. SPLASH
- 3. MM-113 BOSTITCH WIRE (16")
- 4. 120854 BOLT 1/4 - 20 x 3/8 HEX (2)
- 5. 640174 SEAL - FRT. FENDER TO SPL. PAN. (2)
- 6. 640110 BRACE - FRT. FENDER FRT. (2)
- 7. 626467 SCREW + LW. ASM. - 3/16 - 18 x 1/2 HEX. (10)
- 8. 273802 NUT 3/16 - 18 HEX. SERR. (10)
- 9. 646709 RETAINER - SPLASH EXTENSION
- 10. 163158 SCREW " 8 x 3/8 PHCR (13)
- 11. 626930 WASHER + SEALER ASM. - 3/8 O.D. (2)



CHECKER MOTORS CORP. KALAMAZOO, MICH.

EFFECTIVE MODEL YEAR 1974

DWN. DESKER
CHK. 190 B-5

APPVD. SUPERSEDES G.I. 190A-4

DATE 7-31-74

CHANGES
120854 • 626980 WCR
626543

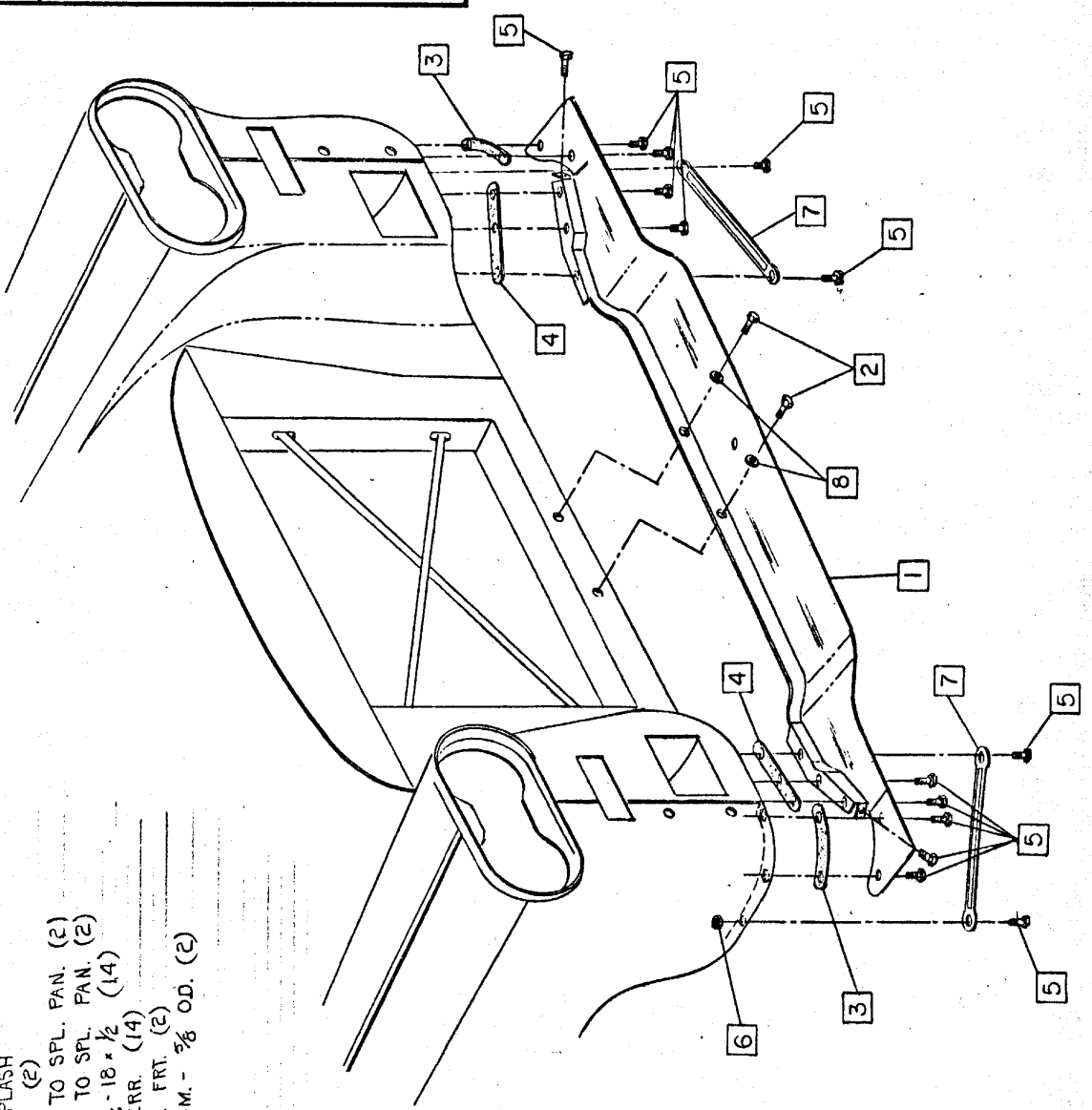
GRAPHIC ILLUSTRATION

FRONT END ASM. - SPLASH PANEL

MODEL: A-12 W6

DATE 7-13-73

- 1. 641507 PANEL ASM. - FRT. SPLASH
- 2. 120854 BOLT $\frac{1}{4}$ - 20 x $\frac{3}{8}$ HEX (2)
- 3. 634212 SEAL - FRT. FENDER TO SPL. PAN. (2)
- 4. 640174 SEAL - FRT. FENDER TO SPL. PAN. (2)
- 5. 626467 SCREW * LW ASM. $\frac{3}{16}$ - 18 x $\frac{1}{2}$ (14)
- 6. 273802 NUT $\frac{3}{16}$ - 18 HEX. SERR. (14)
- 7. 640110 BRACE - FRT. FENDER FRT (2)
- 8. 626930 WASHER * SEALER ASM. - $\frac{3}{8}$ OD. (2)



CHECKER MOTORS CORP. KALAMAZOO, MICH.

EFFECTIVE MODEL YEAR 1974

MODEL:
A-11
A-12
A-12E
A-12W

DATE
7-13-73

GRAPHIC ILLUSTRATION

FRONT END ASM. - GRILLE MTG.

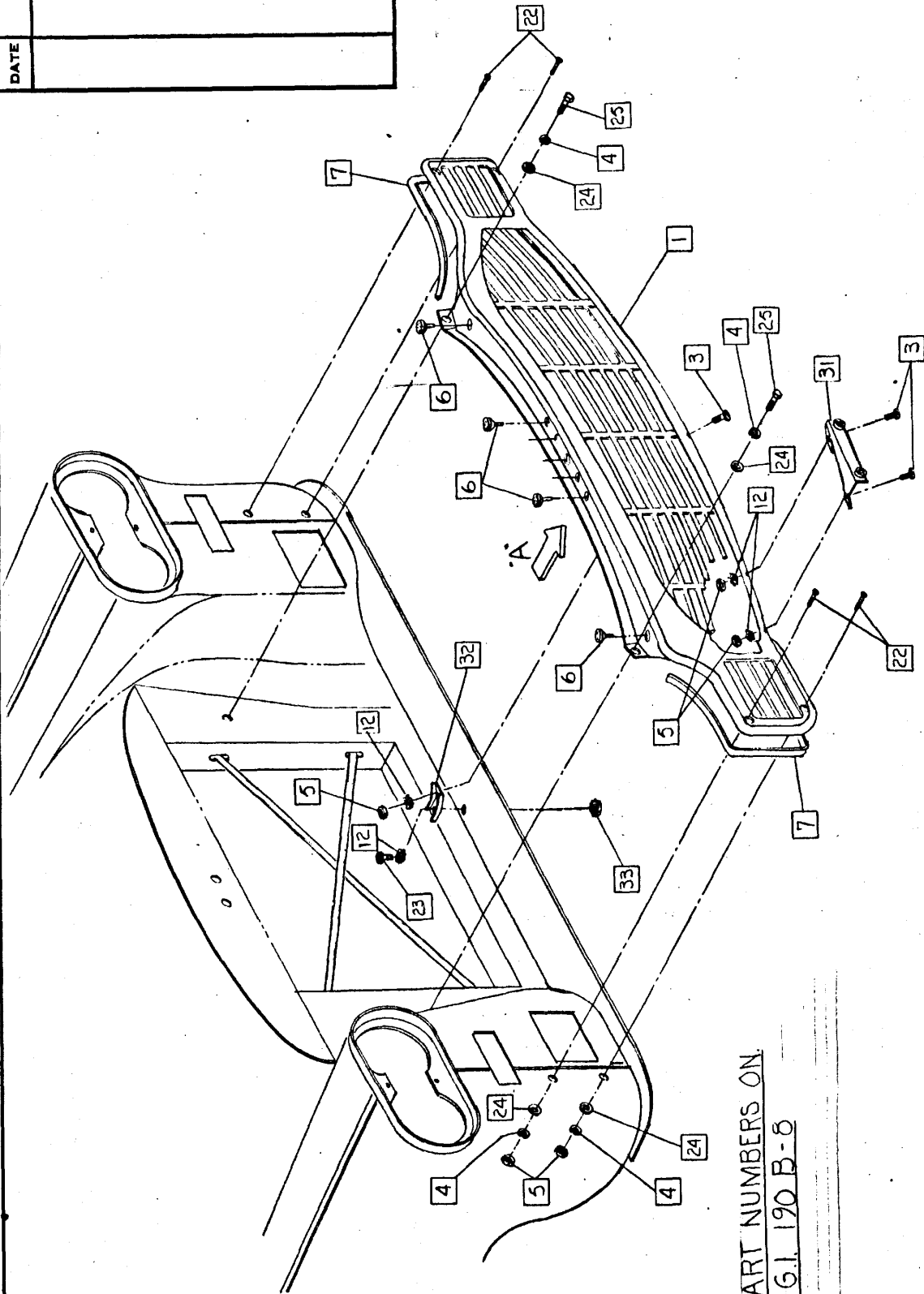
DWN. *Deas*
CHK. *7-73-73*

SHEET NO. 190 B-6

APPVD. SUPERSEDES G.I. 190 A-5 PER MEMO *353

DATE

CHANGES



PART NUMBERS ON
G.I. 190 B-6

EFFECTIVE MODEL YEAR 1974

DWN. NUMBER
CHK. 7-11-73

SHEET NO. 190 B-7

APPVD. SUPERSEDES G.I. 190 A-5 PER MEMO "330"

CHECKER MOTORS CORP. KALAMAZOO, MICH.

GRAPHIC ILLUSTRATION

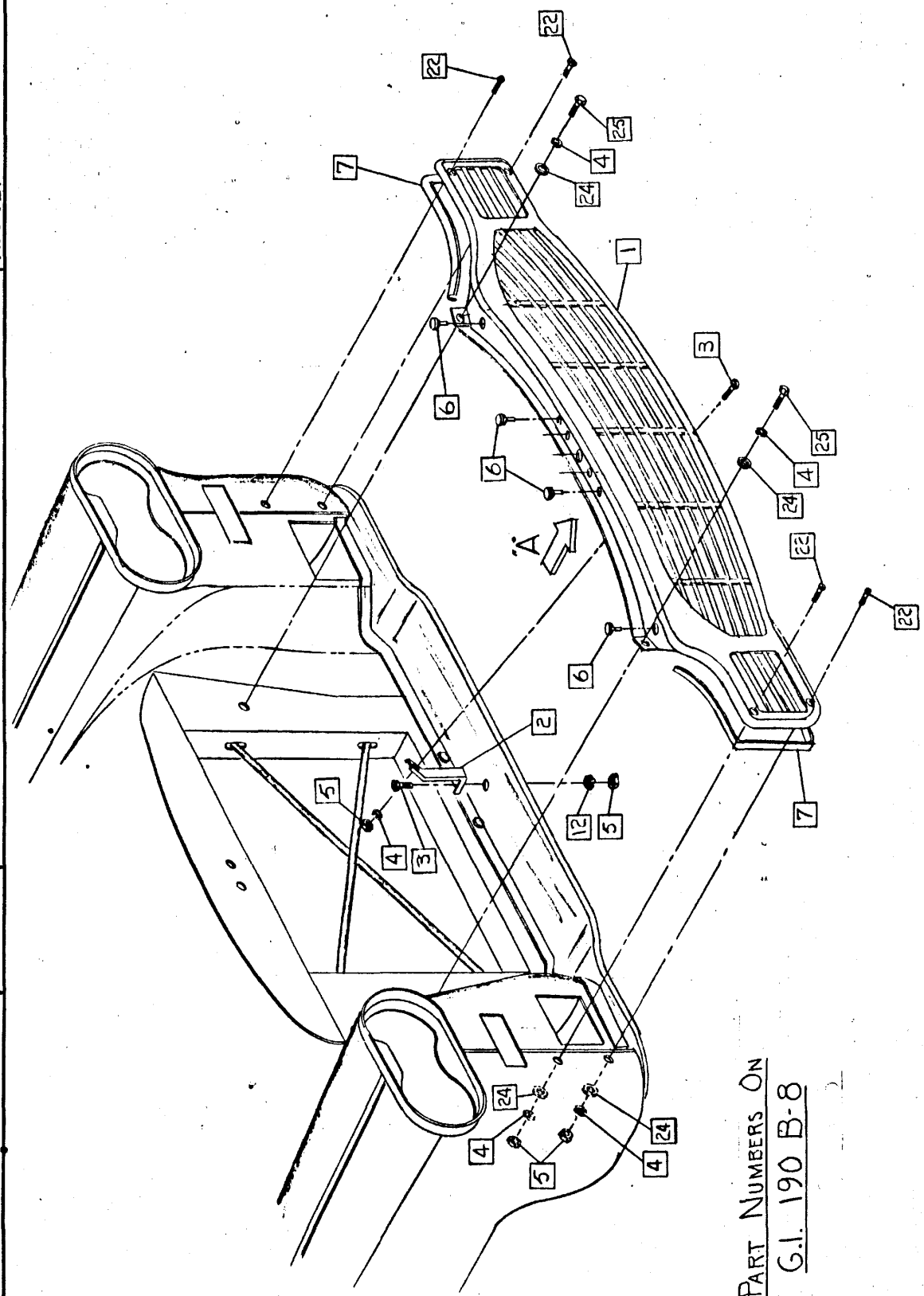
FRONT END ASSEM. - GRILLE MTG.

DATE

7-13-73

MODEL:

A-12W-8



PART NUMBERS ON
G.I. 190 B-8

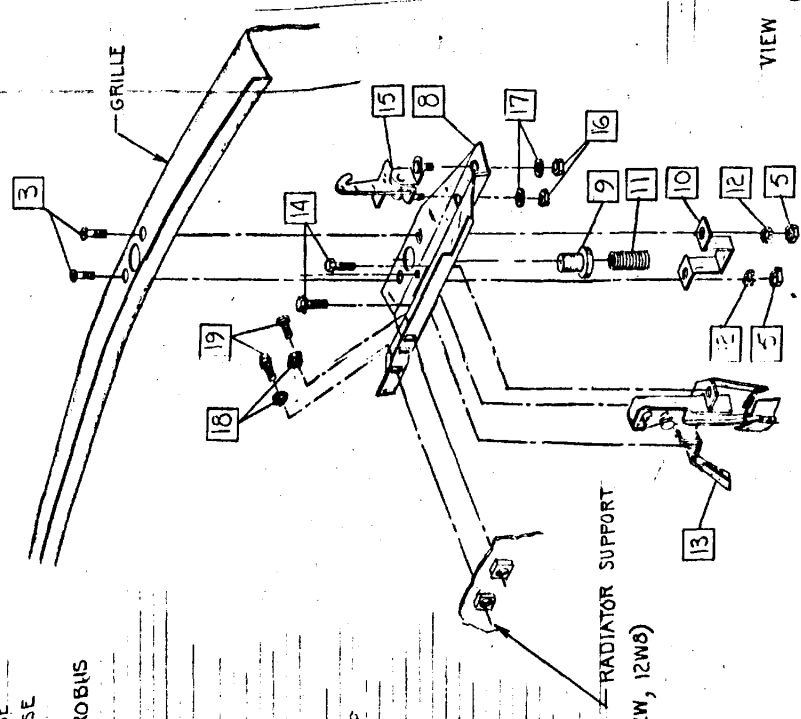
CHECKER MOTORS CORP. KALAMAZOO, MICH.

EFFECTIVE MODEL YEAR 1974

MODEL:	A-12	DATE	7-13-73
A-11	A-12E	A-12WB	
A-11E	A-12W		
DWN.	36	SHEET NO.	190 B-8
CHK.	2-17-74	APPVD.	SUPERSEDES G1. 190 A-8 PER MEMO *330

1.	DATE	CHANGES
646646	10-5-73	191677 WAs 625750
644034	10-9-73	125854 WAs 189129
189129	~	271172 120375
120380	1-11-74	646646 WAs 644033
120375	3-8-74	646729 Added

- 1. 646646 PANEL - GRILLE - PAINTED (A-11, 11E)
- 2. 644034 BRACKET - GRILLE
- 3. 189129 SCREW 1/4-20 x 3/8 TRUSS (5) - (4) AEROBUS
- 4. 120380 L.W. 1/4 MED. SPRING (7)
- 5. 120375 NUT 1/4-20 HEX. (9) - (8) AEROBUS
- 6. 625242 BUMPER - HOOD (4)
- 7. 634125 GASKET (2)
- 8. 646417 PLATE - HOOD LOCK MTG.
- 9. 640287 BUMPER - HOOD LOCK SPRING RELEASE
- 10. 640288 BRACKET - HOOD LOCK SPRING RELEASE
- 11. 640290 SPRING - HOOD LOCK RELEASE
- 12. 174916 L.W. 1/4 INT. EXT. TOOTH (6) - (3) AEROBUS
- 13. 647668 LOCK - HANDLE ASM. - HOOD
- 14. 191677 SCREW + L.W. ASM. 3/16-18 x 3/4
- 15. 647667 LATCH ASM. - HOOD SAFETY
- 16. 273802 NUT 3/16-18 SERR. HEX. (2)
- 17. 446363 WASHER 3/16 ID. - 7/8 O.D. (2)
- 18. 138485 L.W. 3/16 EXT. TOOTH (2)
- 19. 181595 BOLT 3/16 - 24 x 3/4 HEX.
- 21. 626916 NUT 1/4 SELF THREADING
- 22. 626771 SCREW 1/4-20 x 1 1/2 OHCR. (4)
- 23. 120854 BOLT 1/4-20 x 3/8 HEX
- 24. 626322 WASHER 3/16 ID. - 7/8 O.D. (6)
- 25. 121900 BOLT 1/4-20 x 1 HEX. (2)
- 26. 651620 LOCK ASM. - HOOD - SPECIAL
- 27. 646589 BRACKET - HOOD LOCK REL.
- 28. 626642 RIVET 3/16 BS POP. (2)
- 29. 651669 ROD + LEVER ASM. - HOOD LOCK
- 30. 626908 BUSHING - HEYCO (2)
- 31. 705312 BRACKET ASM. - FRT LIC. SUFT.
- 32. 646680 BRACKET - GRILLE LOWER
- 33. 271172 NUT + L.W. ASM. 1/4-20 HEX
- 34. 646729 PANEL - GRILLE - CHROME (A-12, 12E, 12W, 12WB)



VIEW OF HOOD LATCH WITH ADDITIONAL PARTS FOR EXTENDED LATCH RELEASE

VIEW IN DIRECTION OF ARROW 'A' ON G1. 190 B+6 + 190 B-7

CHECKER MOTORS CORP. KALAMAZOO, MICH.

EFFECTIVE MODEL YEAR 1973

SHEET NO. 190B-9

DWN. 10-20-73
CHK. 10-20-73

GRAPHIC ILLUSTRATION
FRONT END ASSEM. - HEADLAMPS + PARK LIGHTS

DATE
7-13-73

MODEL: A-12
A-12E A-12W8
A-12W A-12W

APPVD. SUPERSEDES G.I. 190A-7

CHANGE'S

3-8-74 646733, 34 Werr 644333, 4

- 1. HEADLAMP ASSEM. - DUAL L.H.
- 2. HEADLAMP ASSEM. - DUAL R.H.
- 3. GASKET - HEADLAMP
- 4. SCREW *10 x 1/2 PAN. HD. (14)
- 5. L.W. *10 EXT. TOOTH (2)
- 6. LAMP ASSEM. - PARK. + DIRECT. (2)
- 7. DOOR - PARK. + DIRECT. L.H.
- 8. DOOR - PARK. + DIRECT. R.H.
- 9. GASKET (2)
- 10. BRACKET - OUTER (2)
- 11. BRACKET - INNER (2)
- 12. NUT + L.W. ASSEM. 1/4-20(4)

- 13. DOOR - HEADLAMP (2)
- 14. SCREW *8 x 1/2 (4)
- 15. SCREW *8 x 3/8 (4)
- 16. NUT - TINN. (4)

