

CHECKER MOTORS CORP. KALAMAZOO, MICH.

GRAPHIC ILLUSTRATION

DWN DEKKER  
CHK

SHEET NO. 180 B-2

DATE

11-12-73

MODEL:

B-11

B-12

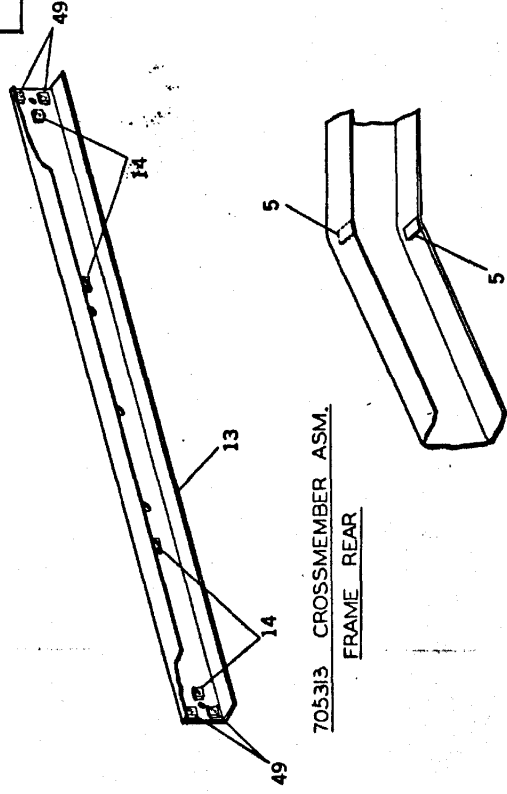
B-12W

FRAME ASM.

1. 705315 RAIL ASM. - FRAME SIDE L.H.
2. 705316 RAIL ASM. - FRAME SIDE R.H.
3. 704789 'X' CROSSMEMBER - FRAME LH.
4. 704790 'X' CROSSMEMBER - FRAME RH.
5. 702807 SPACER - REAR SPRING SHACKLE BUSH. (6)
6. 701983 REINFORCEMENT ASM. - FRAME SIDE RAIL LH FRT.
7. 703708 REINFORCEMENT ASM. - FRAME SIDE RAIL RH FRT.
8. 703999 CROSSMEMBER ASM. - FRT. SUSP. FRAME - FRT.
9. 703935 CROSSMEMBER ASM. - FRT. SUSP. REAR
10. 704093 BRACKET - AXLE INHIBITOR FRAME (2)
11. 93860 CROSSMEMBER ASM. - FRAME REAR KICK-UP
12. 705313 CROSSMEMBER ASM. - FRAME REAR
13. 94200 CROSSMEMBER - FRAME REAR
14. 94742 NUT 1/2-20 MID. WELD (2)
15. 702392 PLATE - 'X' MEMBER TIE UPPER
16. 702009 PLATE - 'X' MEMBER TIE LOWER
17. 702012 BRACE - SIDE RAIL TO 'X' MEMBER (2)
18. 92275 BRACKET - SUSP. BUMPER FRAME LH.
19. 92274 BRACKET - SUSP. BUMPER FRAME RH.
20. 94305 BRACKET - DASH SUPPORT FRAME LH.
21. 94306 BRACKET - DASH SUPPORT FRAME RH.
22. 705008 BRACKET + NUT ASM. - TRANS. CONT. FRAME REINFORCEMENT - DASH SUPPORT FRAME BRKT. (2)
23. 704289 REINFORCEMENT - BODY FRAME FRT. (2)
24. 702010 BRACKET - BODY FRAME KICK-UP (4)
25. 94171 BRACKET - BODY FRAME CENTER (2)
26. 702011 BRACKET ASM. - BODY FRAME REAR LH.
27. 95637 BRACKET ASM. - BODY FRAME REAR RH.
28. 95638 BRACKET - FRAME REAR CORNER TO BODY (2)
29. 94520 PLATE - FRAME SIDE RAIL REINF. (2)
30. 704779 BRACKET - UPPER CONT. ARM. FRAME (2)
31. 94525 RIVET 3/8 DIA. x 3/4 RD. HD. (14)
32. 142783 SEAT - FRT. SPRING (2)
33. 92243 RIVET 3/8 DIA. x 1 FL. HD. (4)
34. 141471 BRACKET - PARKING BRAKE CABLE FRAME
35. 94780 BRACKET - REAR BRAKE HOSE
36. 92502 SUPPORT - MUFFLER
37. 94296 BRACKET - REAR AXLE BUMPER (2)
38. 96284 BUSHING - REAR SPRING SHACKLE FRM. MTG. (2)
39. 702436 REINFORCEMENT - FRM. TO FRT. BODY BRKT. (2)
40. 704243 BRACKET ASM. - BATTERY SUPPORT FRM.
41. 701105 BRACKET - BODY FRM. REAR LH.
42. 96133 BRACKET - BODY FRM. REAR RH.
43. 96134

44. 96183 BRACKET - REINFORCEMENT SPRING LH.
45. 96184 BRACKET - REINFORCEMENT SPRING RH.
46. 96103 BRACKET - FRM. REAR SPRING FRT. (2)
47. 181637 BOLT 3/8 - 24 x 1 HEX. (8)
48. 442828 NUT 3/8 - 24 HEX LOCK (8)
49. 626496 NUT 3/8 - 24 PROJ. WELD (4)

DATE	CHANGES
2-1-74	626496 Was 626469
9-16-74	(2) 94742 Added



VIEW IN DIRECTION OF ARROW 'A'  
TYP. BOTH SIDES

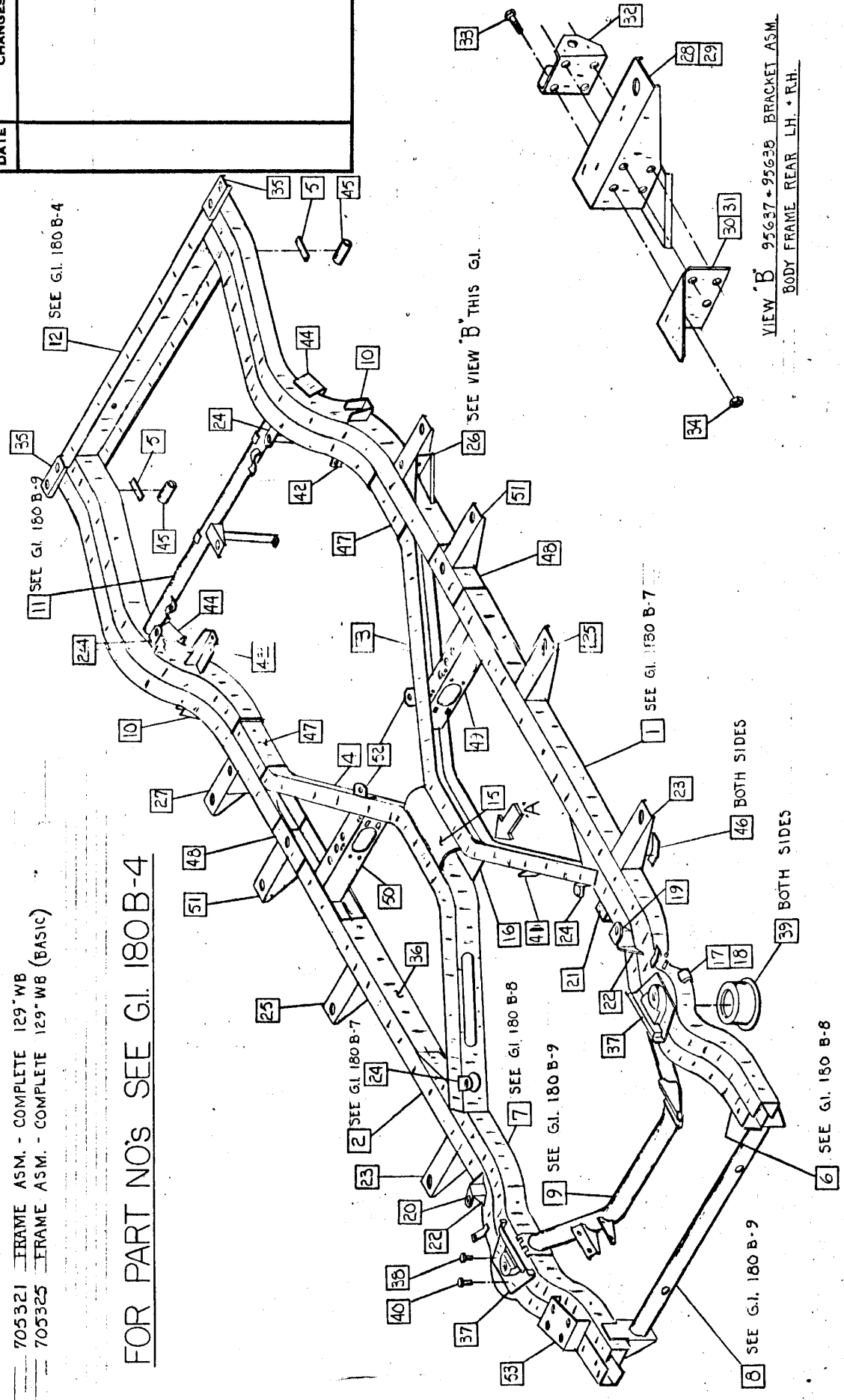
CHECKER MOTORS CORP. KALAMAZOO, MICH.

EFFECTIVE MODEL YEAR 1974

MODEL:	DATE	GRAPHIC ILLUSTRATION	DWN. CHECKER	SHEET NO.
B-11E B-12E	6-25-73	FRAME ASM. - 129" W.B.	CHK.	180 B-3
705321 FRAME ASM. - COMPLETE 129" W.B.			APPVD.	SUPERSEDES G.I. 180A-3 PER MEMO #330
705325 FRAME ASM. - COMPLETE 129" W.B. (BASIC)				

DATE	CHANGES

FOR PART NO'S SEE G.I. 180 B-4



VIEW B 95637-95638 BRACKET ASM.  
BODY FRAME REAR L.H. R.H.

CHECKER MOTORS CORP. KALAMAZOO, MICH.

MODEL: B-11E B-12E

DATE: 6-26-73

GRAPHIC ILLUSTRATION

FRAME ASM. - 129" WB

APPVD. SUPERSEDES G.I. 180 A-4 PER MEMO " 330

SHEET NO. 180 B-4

CHANGES

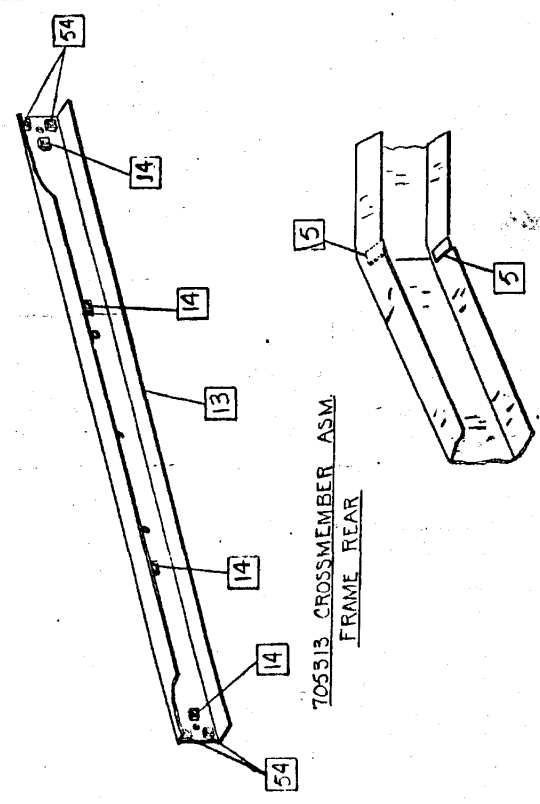
DATE: 7-26-73

705313 W/S 95870

626496 Added

- 1. 705315 RAIL ASM. - FRAME SIDE L.H.
- 2. 705316 RAIL ASM. - FRAME SIDE R.H.
- 3. 704209 'X' CROSSMEMBER - FRAME L.H.
- 4. 704210 'X' CROSSMEMBER - FRAME R.H.
- 5. 702807 SPACER - REAR SPRING SHACKLE BUSHING FRAME (6)
- 6. 701953 REINFORCEMENT ASM. - FRAME SIDE RAIL L.H. FRT.
- 7. 703705 REINFORCEMENT ASM. - FRAME SIDE RAIL R.H. FRT.
- 8. 703999 CROSSMEMBER ASM. - FRT. SUSP. FRAME - FRT.
- 9. 703935 CROSSMEMBER ASM. - FRT. SUSP. REAR
- 10. 704093 BRACKET - AXLE INHIBITOR FRAME (2)
- 11. 93860 CROSSMEMBER ASM. - FRAME REAR KICK UP
- 12. 705313 CROSSMEMBER ASM. - FRAME REAR
- 13. 94200 CROSSMEMBER - FRAME REAR
- 14. 94742 NUT 3/8-24 MID. WELD (4)
- 15. 702332 PLATE - BUMPER TIE UPPER
- 16. 702009 PLATE - X-MEMBER TIE LOWER
- 17. 92275 BRACKET - SUSP. BUMPER L.H.
- 18. 94305 BRACKET - SUSP. BUMPER R.H.
- 19. 94305 BRACKET - DASH SUPPORT L.H.
- 20. 94506 BRACKET - DASH SUPPORT R.H.
- 21. 705008 BRACKET - NUT ASM. - TRANS. CONT. FRAME
- 22. 704289 REINFORCEMENT - DASH SUPPORT FRM. BRKT. (2)
- 23. 702010 BRACKET - BODY FRAME FRT. (2)
- 24. 94171 BRACKET - BODY FRAME KICK UP (4)
- 25. 702011 BRACKET - BODY FRAME CENTER (2)
- 26. 95637 BRACKET - BODY FRAME REAR L.H.
- 27. 95638 BRACKET ASM. - BODY FRAME REAR R.H.
- 28. 96133 BRACKET - BODY FRAME REAR L.H.
- 29. 96134 BRACKET - BODY FRAME REAR R.H.
- 30. 96183 BRACKET - REINF. SPRING LH.
- 31. 96184 BRACKET - REINF. SPRING RH.
- 32. 96103 BRACKET - FRAME REAR SPRING FRT. (2)
- 33. 181637 BOLT 3/8-24 x 1 HEX. (8)
- 34. 442828 NUT 3/8-24 HEX. LOCK (8)
- 35. 94520 BRACKET - FRAME REAR CORNER (2)
- 36. 704779 PLATE - FRAM. FOR REAR SPRING (2)
- 37. 94525 BRACKET - UTILITY LIGHT SUPPORT (2)
- 38. 142783 RIVET 3/16 DIA. x 1/4 RD. HD. (14)
- 39. 92243 SEAT - FRONT (2)
- 40. 141471 RIVET 3/16 DIA. x 1/4 RD. HD. (4)

- 41. 94780 BRACKET - PARKING BRAKE CABLE FRAME
- 42. 92502 BRACKET - REAR BRAKE HOSE
- 43. 94296 SUPPORT - MUFFLER FRAME
- 44. 96204 BRACKET - REAR AXLE BUMPER (2)
- 45. 702436 BUSHING - REAR SPRING SHACKLE FRAME (2)
- 46. 704243 REINFORCEMENT - FRAME TO FRT. BODY BRKT. (2)
- 47. 98476 CHANNEL - "X" MEMBER EXTENSION 129"WB (2)
- 48. 702231 CHANNEL - SIDE RAIL EXTENSION 129"WB (2)
- 49. 704053 BRACE - SIDE RAIL TO 'X' MEMBER 129"WB L.H.
- 50. 704054 BRACE - SIDE RAIL TO 'X' MEMBER 129"WB R.H.
- 51. 702229 BRACKET - BODY FRAME 129"WB (2)
- 52. 702093 BRACKET - AUX. SEAT ANCHOR (2)
- 53. 701105 BRACKET ASM. - BATTERY SUPPORT FRAME
- 54. 626496 NUT 3/8-24 PROJ. WELD (4)



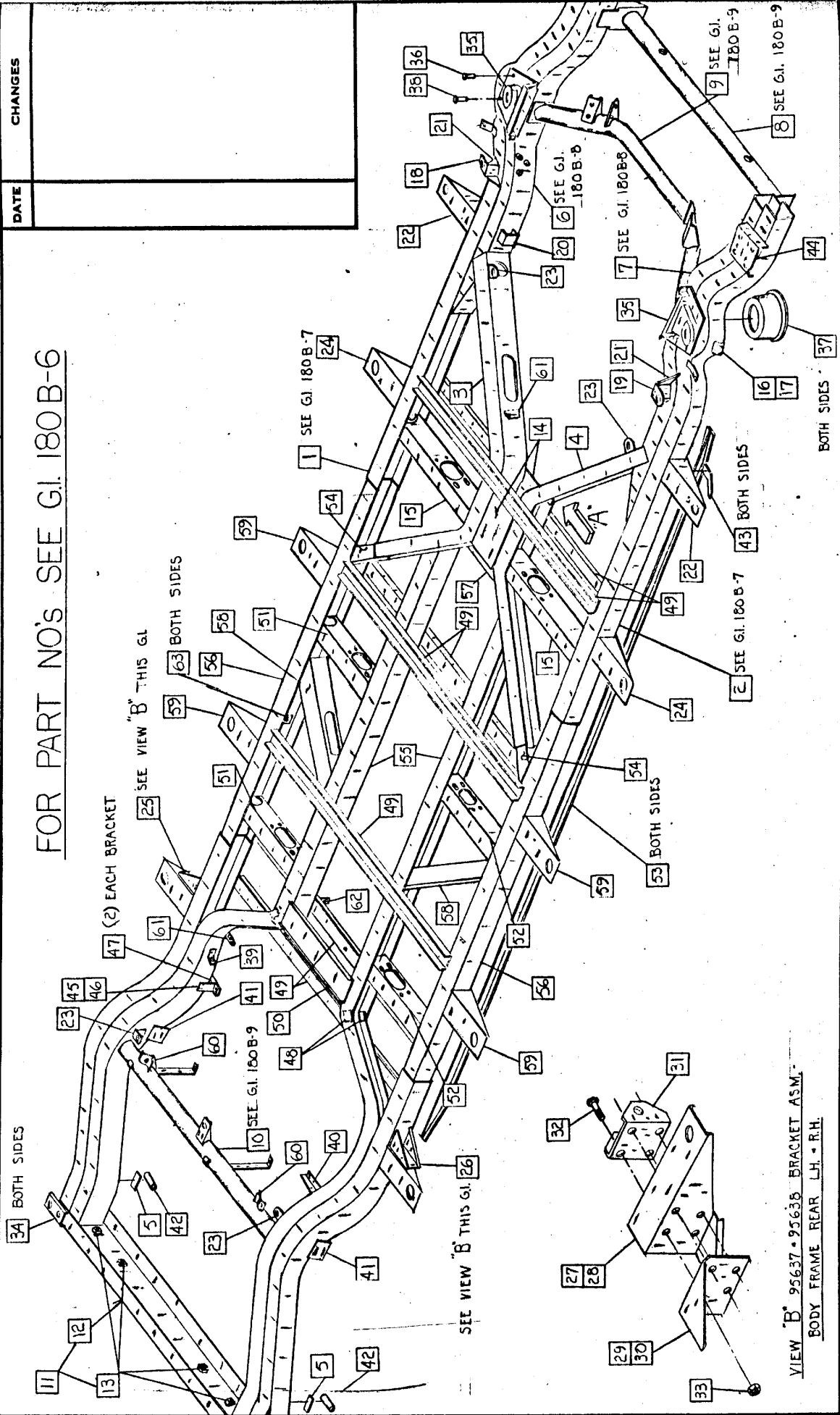
VIEW IN DIRECTION OF ARROW 'A' G.I. 180B-3  
TYP. BOTH SIDES

CHECKER MOTORS CORP. KALAMAZOO, MICH. EFFECTIVE MODEL YEAR 1974

MODEL: B-12WB DATE: 6-26-73 SHEET NO. 180B-5  
 GRAPHIC ILLUSTRATION FRAME ASM. - 169" WB. SUPPERSEDES G.I. 180A-5 PER MEMO T-330  
 DWN. CHK. APPVD.

DATE	CHANGES

FOR PART NO'S SEE G.I. 180B-6

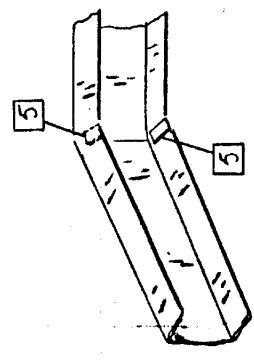


VIEW B 95637-95638 BRACKET ASM.  
 BODY FRAME REAR LH - R.H.

CHECKER MOTORS CORP. KALAMAZOO, MICH.

MODEL: B-12WB	DATE 6-26-73	GRAPHIC ILLUSTRATION FRAME ASM. - 189" WB	DWN. DESK. CHK. APVVD.	SHEET NO. 180B-6	CHANGES
	SUPERSEDES GI. 150A-6 PER MEMO #330				

NO.	DESCRIPTION	QTY	DATE	CHANGES
1.	RAIL ASM. - FRAME SIDE LH.	42.	702436	BUSHING - REAR SPRING SHACKLE FRM. MTG (2)
2.	RAIL ASM. - FRAME SIDE RH.	43.	704243	REINFORCEMENT - FRAME TO FRT. BODY BRKT. (2)
3.	'X' CROSSMEMBER FRAME LH.	44.	701105	BRACKET ASM. - BATTERY SUPT. FRAME
4.	'X' CROSSMEMBER FRAME R.H.	45.	702563	BRACKET - PARK BRAKE CABLE LH. REAR
5.	SPACER - REAR SPRING SHACKLE BUSHING - FRAME (6)	46.	702564	BRACKET - PARK BRAKE CABLE R.H. REAR
6.	REINFORCEMENT ASM. - FRAME SIDE RAIL - LH. FRT.	47.	702737	REINFORCEMENT - PARK BRAKE FRAME BRKT. (4)
7.	REINFORCEMENT ASM. - FRAME SIDE RAIL - RH. FRT.	48.	96030	REINFORCEMENT - REAR PROP SHAFT SUPPORT (4)
8.	CROSSMEMBER ASM. - FRT. SUSP. FRAME - FRT.	49.	702481	SUPPORT - PROP. SHAFT BEARING - REAR (7)
9.	CROSSMEMBER ASM. - FRT. SUSP. REAR	50.	702386	CHANNEL - PROP SHAFT BRG. TOP PLT. REAR
10.	CROSSMEMBER ASM. - FRAME REAR KICK UP	51.	702487	BRACE - SIDE RAIL EXT. TO BRG SUPT. LH. (2)
11.	CROSSMEMBER ASM. - FRAME REAR	52.	702488	BRACE - SIDE RAIL EXT. TO BRG SUPT. RH. (2)
12.	CROSSMEMBER - FRAME REAR	53.	96079	TEE - SIDE RAIL LOWER FLANGE SKID (2)
13.	NUT 1/2-20 MID. WELD (6)	54.	96033	CHANNEL - 'X' CROSSMEMBER EXTENSION (2)
14.	PLATE - 'X' MEMBER TIE LOWER (2)	55.	96081	SUPPORT - PROP. SHAFT REAR BRG. (2)
15.	BRACE - SIDE RAIL TO 'X' MEMBER (2)	56.	702389	CHANNEL - FRAME SIDE RAIL EXT. (2)
16.	BRACKET - SUSPENSION BUMPER FRAME LH.	57.	702482	SUPPORT - PROP SHAFT BRG. FRT.
17.	BRACKET - SUSPENSION BUMPER FRAME RH.	58.	96082	REINFORCEMENT - 'X' MEMBER (2)
18.	BRACKET - DASH SUPPORT FRAME LH.	59.	702387	BRACKET - BODY FRAME CENTER (4)
19.	BRACKET - DASH SUPPORT FRAME R.H.	60.	96085	REINFORCEMENT - REAR SHOCK BRACKET (2)
20.	BRACKET * NUT ASM. - TRANS. CONT. FRAME	61.	702681	BRACKET - PARK BRAKE CABLE SUPT. FRAME (2)
21.	REINFORCEMENT - DASH SUPPORT FRAME	62.	702769	ANGLE - PARK. BRAKE CABLE SUPT. FRAME
22.	BRACKET - BODY FRAME FRT. (2)	63.	704929	REINFORCEMENT - FRAME DOLLY (2)
23.	BRACKET - BODY FRAME KICK UP (4)			
24.	BRACKET - BODY FRAME CENTER (2)			
25.	BRACKET ASM. - BODY FRAME REAR LH.			
26.	BRACKET ASM. - BODY FRAME REAR R.H.			
27.	BRACKET - BODY FRAME REAR LH.			
28.	BRACKET - BODY FRAME REAR R.H.			
29.	BRACKET - REINF. SPRING LH.			
30.	BRACKET - REINF. SPRING R.H.			
31.	BRACKET - FRAME REAR SPRING FRT. (2)			
32.	BOLT 3/8-24 x 1 HEX (8)			
33.	NUT 3/8-24 HEX LOCK (8)			
34.	BRACKET - FRAME REAR CORNER TO BODY (2)			
35.	BRACKET - UPPER CONT. ARM. FRAME (2)			
36.	RIVET 3/16 DIA. x 3/4 RD. HD. (14)			
37.	SEAT - FRONT SPRING (2)			
38.	RIVET 3/16 DIA. x 1 FL. HD. (4)			
39.	BRACKET - REAR BRACKET HGSE			
40.	SUPPORT - MUFFLER			
41.	BRACKET - REAR AXLE BUMPER (2)			

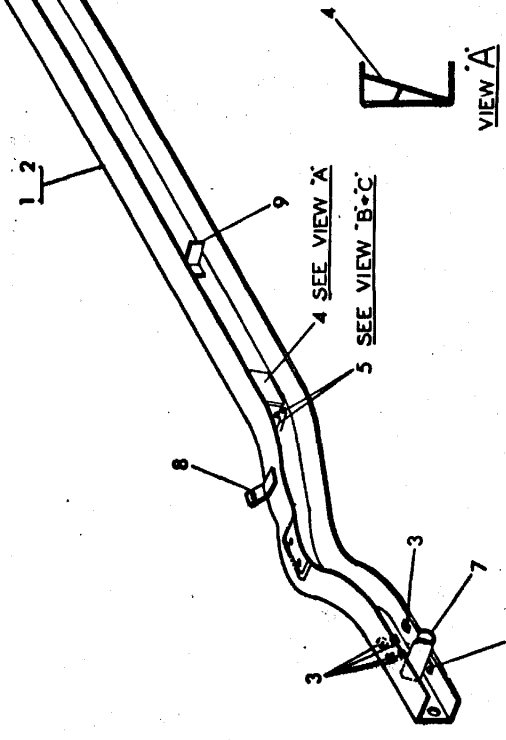
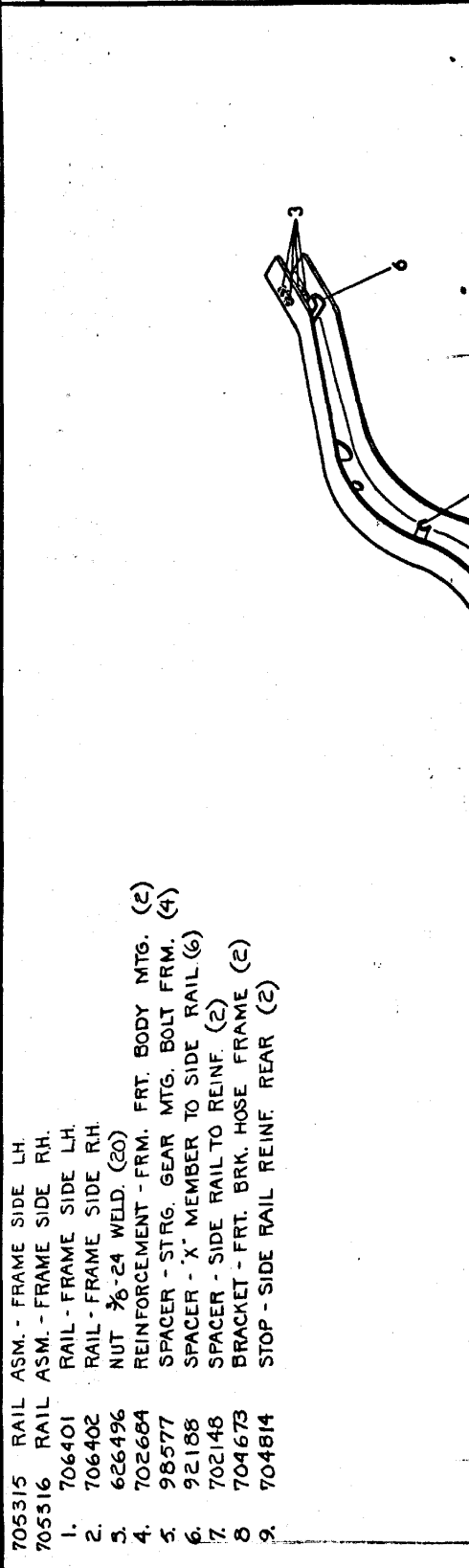


VIEW IN DIRECTION OF ARROW A GI. 150B-5  
TYP. BOTH SIDES

CHECKER MOTORS CORP. KALAMAZOO, MICH.

<b>MODEL:</b>		<b>DATE</b>	<b>GRAPHIC ILLUSTRATION</b>	<b>SHEET NO. 180 B-7</b>
B-11	B-12	6-26-73		
B-11E	B-12E			
705315 RAIL ASM. - FRAME SIDE LH.				
705316 RAIL ASM. - FRAME SIDE RH.				
1.	706401 RAIL - FRAME SIDE LH.			
2.	706402 RAIL - FRAME SIDE RH.			
3.	626496 NUT $\frac{7}{8}$ -24 WELD. (20)			
4.	702684 REINFORCEMENT - FRM. FRT. BODY MTG. (2)			
5.	98577 SPACER - STRG. GEAR MTG. BOLT FRM. (4)			
6.	92188 SPACER - 'X' MEMBER TO SIDE RAIL (6)			
7.	702148 SPACER - SIDE RAIL TO REINF. (2)			
8.	704673 BRACKET - FRT. BRK. HOSE FRAME (2)			
9.	704814 STOP - SIDE RAIL REINF. REAR (2)			

<b>DWN. DEK. CHK.</b>	<b>DATE</b>	<b>CHANGES</b>
SUPERSEDES GI. 180 A-7 PER MEMO # 930		



CHECKER MOTORS CORP. KALAMAZOO, MICH.

GRAPHIC ILLUSTRATION

DATE

3-28-74

B-12

B-12W

B-11E

B-12WB

MODEL:

B-11

B-11E

DWN. DEKKE

CHK.

SHEET NO. 180B-8

SUPERSEDES GI. 180A-8 PER MEMO #330

FRAME ASM. - FRONT SIDE REINF.

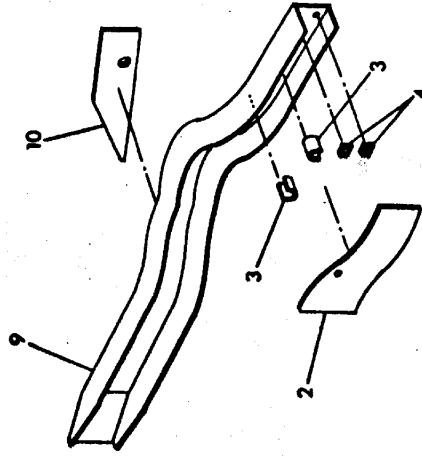
- 701983 REINFORCEMENT ASM. - FRM. SIDE RAIL LH.
- 703708 REINFORCEMENT ASM. - FRM. SIDE RAIL RH.
- 1. 704781 REINFORCEMENT - FRM. SIDE RAIL FRT. MOD. LH.
- 2. 704785 PLATE - FRT. CENTER FRM. REINF. (2)
- 3. 704786 SPACER - FRT. FRM. REINE. PLATE (4)
- 4. 626496 NUT  $\frac{3}{8}$ -24 MIDLAND WELD (4)
- 5. 702378 PLATE - STRG. GEAR MTG. REINF.
- 6. 702330 SPACER - STRG. GEAR MTG. BOLT FRM. (2)
- 7. 704363 SPACER - STRG. GEAR MTG. BOLT FRM. LONG.
- 8. 702329 RIB - STRG. GEAR MTG. FRM.
- 9. 704782 REINFORCEMENT - FRM. SIDE RAIL FRT. RH.
- 10. 704792 PLATE - RH. FRT. SIDE RAIL REINF.

DATE

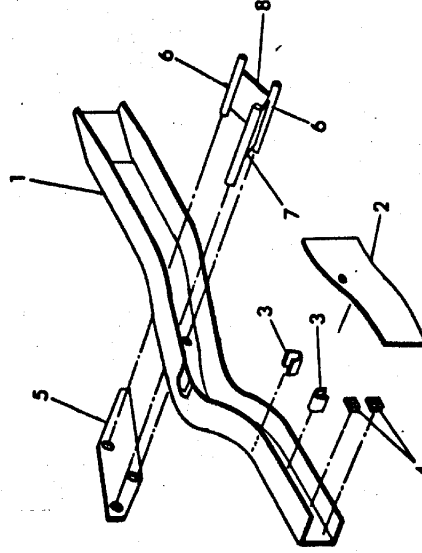
5-28-74

CHANGES

704883 REMOVED  
626496 ADDED



703708 RIGHT SIDE



701983 LEFT SIDE

CHECKER MOTORS CORP. KALAMAZOO, MICH.

SHEET NO. 180 B-9

DWN. DEKKER  
CHK.

SUPERSEDES G.I. 180 A-9 PER MEMO 530

GRAPHIC ILLUSTRATION

FRAME ASM. - FRT + REAR CROSSMEMBER

DATE

6-26-73

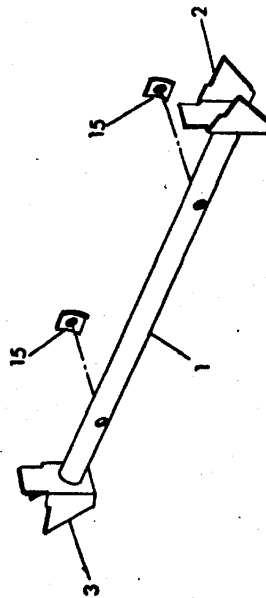
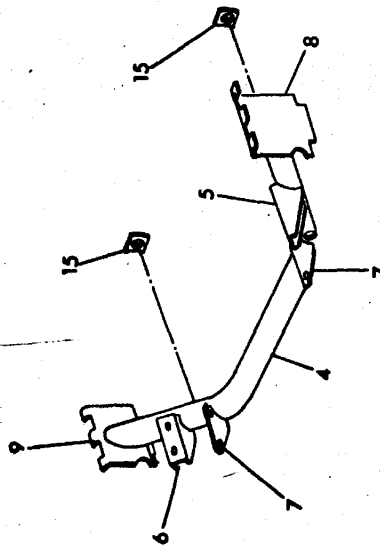
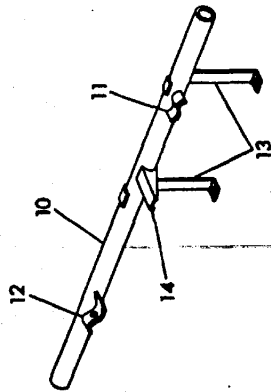
B-12 B-12W  
B-12E B-12W8

MODEL:

B-11  
B-11E

1. 706526 CROSSMEMBER - FRT. SUSP. FRAME - FRT.
2. 706253 BRACKET - FRT. C/MEMBER LH.
3. 706254 BRACKET - FRT. C/MEMBER RH.
4. 702018 CROSSMEMBER - FRT. SUSP. FRM. REAR
5. 706075 ANGLE - ENG. MTG. FRAME LH.
6. 706076 ANGLE - ENG. MTG. FRAME RH.
7. 706077 PLATE - ENG. MTG. FRAME (2)
8. 702157 PAD - FRT. SUSP. FRM. REAR C/MEMBER END LH.
9. 702158 PAD - FRT. SUSP. FRM. REAR C/MEMBER END RH.
10. 94303 CROSSMEMBER - FRM. REAR C/MEMBER KICK-UP TUBE
11. 94201 BRACKET - FRM. KICK-UP C/MBR. SHK. ABS. MTG. LH.
12. 94202 BRACKET - FRM. KICK-UP C/MBR. SHK. ABS. MTG. RH.
13. 92170 BRACKET - FUEL TANK SUPPORT FRAME (2)
14. 94709 BRACKET - BODY MTG. TO FRAME C/MEMBER
15. 92276 REINFORCEMENT - FRT. SUSP. FRM. C/MEMBER REAR (4)

93860 CROSSMEMBER ASM.- FRAME REAR KICK-UP



703999 CROSSMEMBER ASM.- FRT. SUSP. FRAME- FRT.

703935 CROSSMEMBER ASM.- FRT. SUSP. FRAME-REAR