

CHECKER MOTORS CORP. KALAMAZOO, MICH.

GRAPHIC ILLUSTRATION

EXHAUST SYSTEM.

DATE  
11-5-73

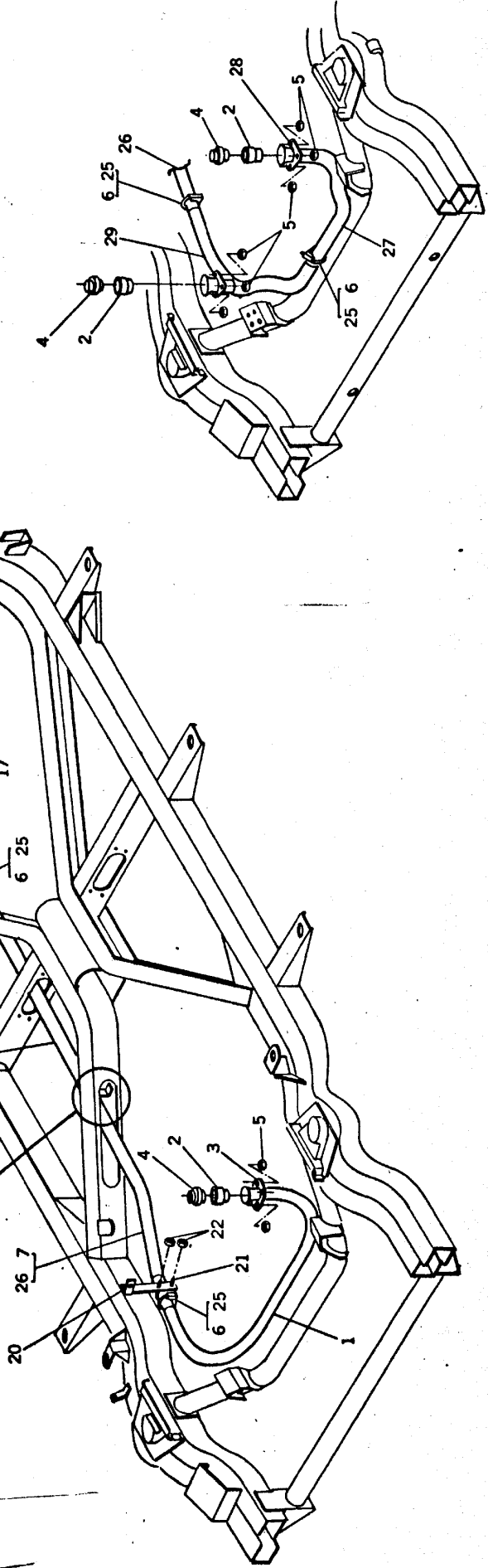
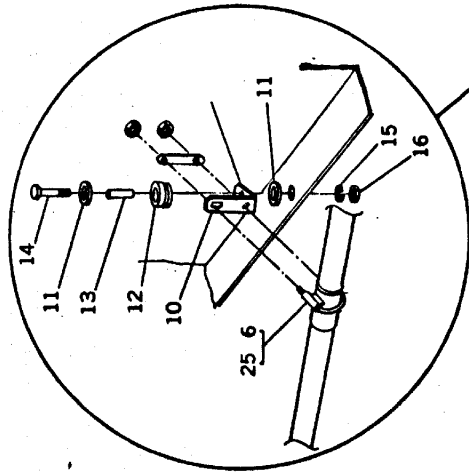
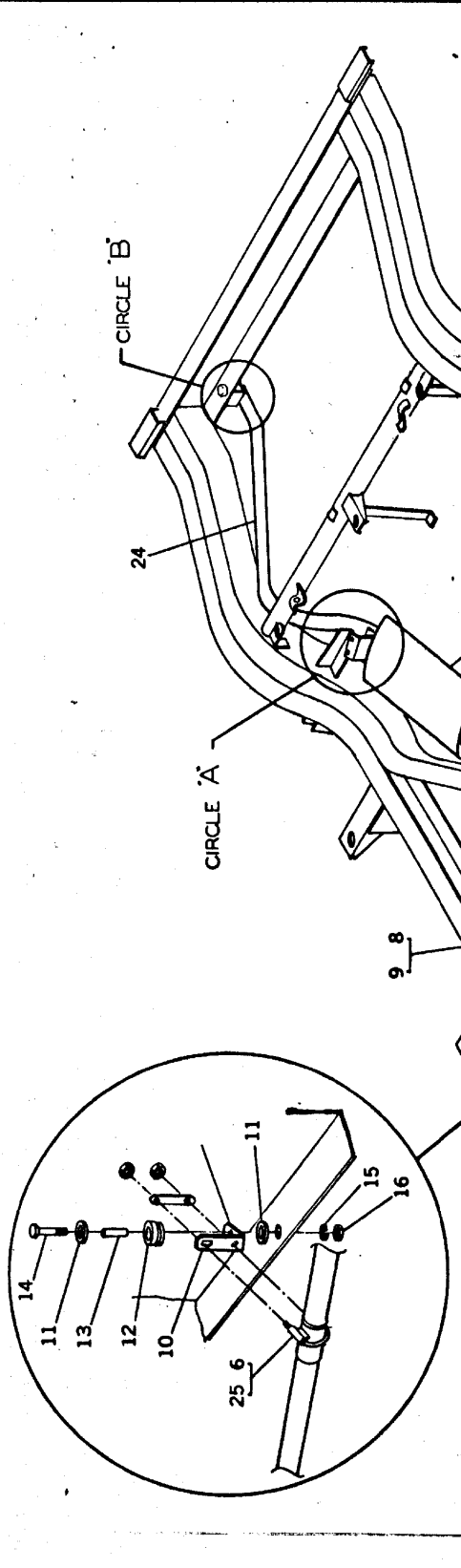
MODEL:  
B-12  
B-12E  
B-12W  
B-11  
B-11E

DWN. DEKKE  
CHK.

SHEET NO. 160 B-1

DATE

CHANGES



8 CYL. ONLY

CHECKER MOTORS CORP. KALAMAZOO, MICH.

SHEET NO. 160 B-2

DWN. DEKKEE  
CHK.

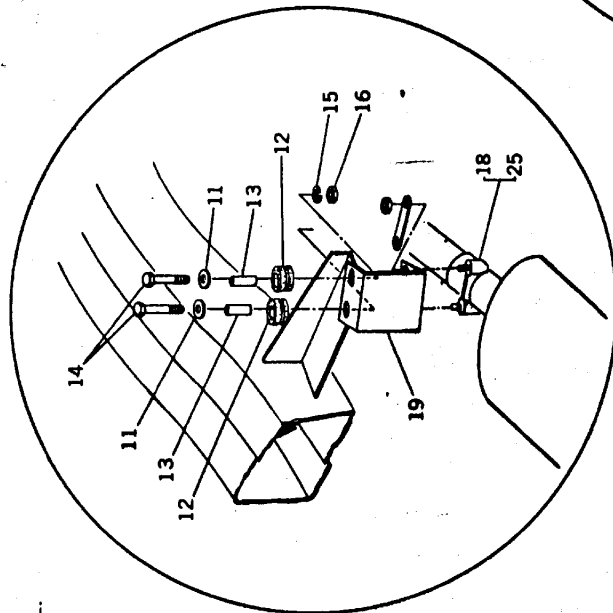
GRAPHIC ILLUSTRATION  
EXHAUST SYSTEM.

DATE  
11-5-75

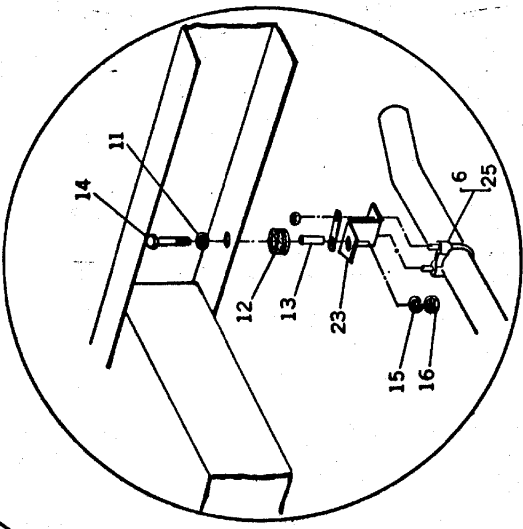
MODEL:  
B-II  
B-12E  
B-12W

DATE	CHANGES
11-25-74 (1)	705291 WAS (1) 705290

1. 706292 PIPE - EXHAUST - 6 CYL.
2. 702253 EXTENSION - EXHAUST PIPE UPPER (1) 6 CYL. (2) 8 CYL.
3. 702150 FLANGE - EXHAUST PIPE - 6 CYL.
4. 702252 GASKET - EXHAUST PIPE (1) 6 CYL. (2) 8 CYL.
5. 626779 NUT - SPECIAL HEX LOCK  $\frac{3}{8}$ -16 (2) 6 CYL. (6) 8 CYL.
6. 705291 CLAMP - EXHAUST PIPE (4) 6 CYL. (5) 8 CYL.
7. 704599 EXTENSION - EXH. PIPE \*1 6 CYL.
8. 706371 EXTENSION - EXH. PIPE \*2 120" WB ONLY
9. 706382 EXTENSION - EXH. PIPE \*2 129" WB ONLY
10. 702453 SUPPORT - EXH. PIPE
11. 94354 WASHER - EXH. SYSTEM. INSUL. (5)
12. 94350 INSULATOR - EXH. SYSTEM. (4)
13. 94292 SPACER - EXH. SYSTEM (4)
14. 123798 BOLT  $\frac{3}{16}$ -24 x  $1\frac{1}{4}$  HEX. HD. (4)
15. 120214 LW.  $\frac{3}{16}$  MED. SPRING (4)
16. 120368 NUT  $\frac{3}{16}$ -24 HEX. (4)
17. 705287 MUFFLER ASM. - EXH. CR. STL.
18. 705290 CLAMP ASM. - EXH. TAIL PIPE -
19. 94293 BRACKET - MUFFLER SUPPORT - REAR
20. 705279 BRACKET ASM. - EXH. PIPE TO TRANS - 6 CYL.
21. 704585 "U" BOLT - EXH. PIPE TO TRAN. 6 CYL.
22. 273802 NUT  $\frac{3}{16}$ -18 SERR HEX. LOCK 6 CYL.
23. 94676 BRACKET - MUFFLER OUTLET PIPE INSUL.
24. 706461 PIPE - EXH. TAIL
25. ML-110 SEALER - EXH.
26. 704389 EXTENSION - EXH. PIPE \*1 - 8 CYL.
27. 701211 EXHAUST PIPE - LH. - 8 CYL.
28. 702271 FLANGE - EXH. PIPE 8 CYL
29. 703787 EXHAUST PIPE ASM. - RH. 8 CYL.



VIEW IN CIRCLE A



VIEW IN CIRCLE B

CHECKER MOTORS CORP. KALAMAZOO, MICH.

SHEET NO. 160 B-3

DWN. Decker

CHK.

GRAPHIC ILLUSTRATION

EXHAUST SYSTEM

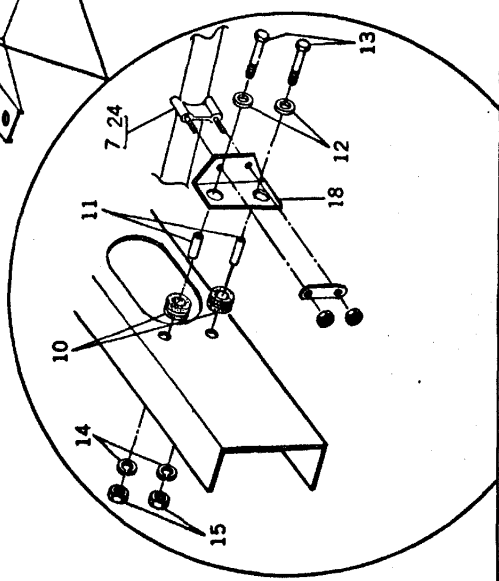
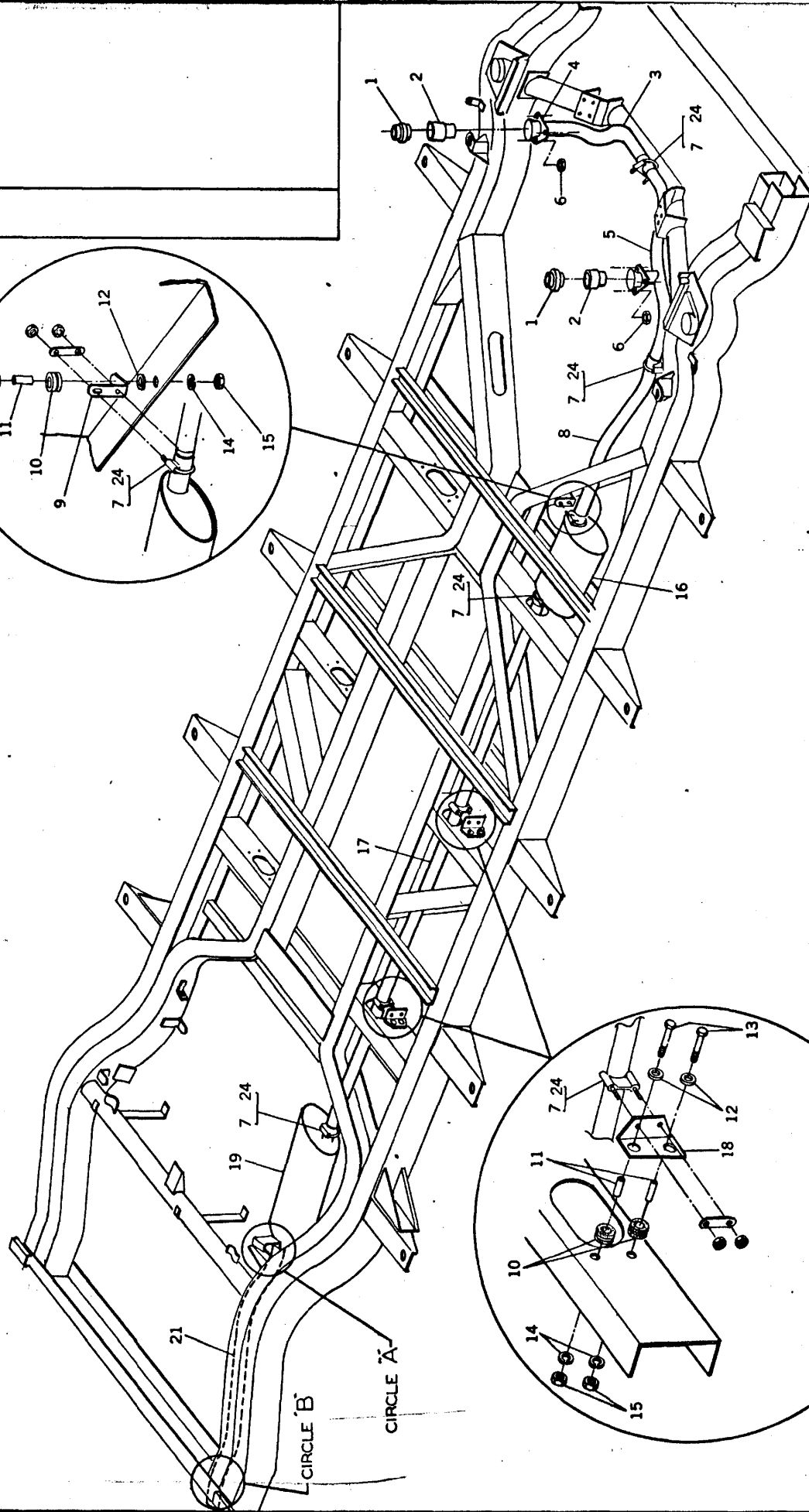
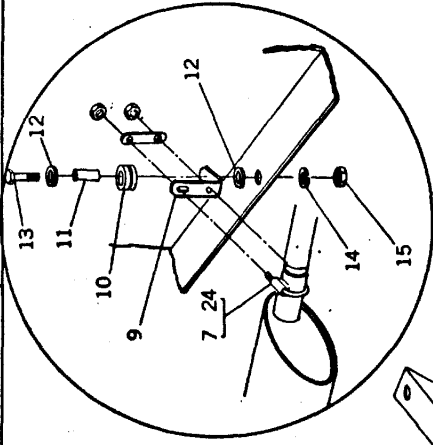
DATE

11-6-73

MODEL:  
B-12W8

DATE

CHANGES



CIRCLE 'B'

CIRCLE 'A'

CHECKER MOTORS CORP. KALAMAZOO, MICH.

SHEET NO. 160 B-4

DWN. DERKER  
CHK.

GRAPHIC ILLUSTRATION

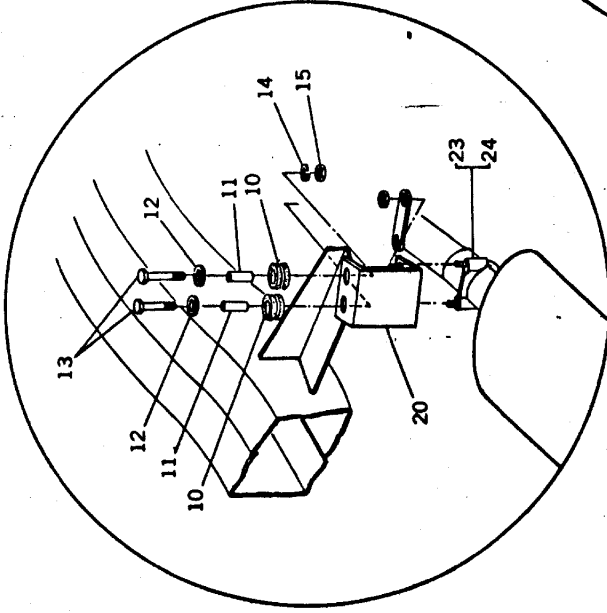
EXHAUST SYSTEM

DATE 11-6-73

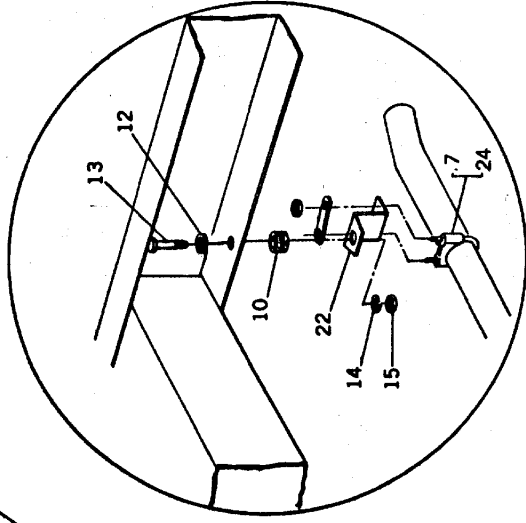
MODEL: B-12WB

1. 702252 GASKET - EXH. PIPE (2)
2. 702253 EXTENSION - EXH. PIPE (2)
3. 701211 EXHAUST PIPE L.H.
4. 702271 FLANGE - EXH. PIPE
5. 703787 PIPE ASM. - EXH. RH.
6. 626779 NUT  $\frac{3}{8}$ -16 SPL. HEX. LOCK (6)
7. 705291 CLAMP - EXH. PIPE (8)
8. 704389 EXTENSION - EXH. PIPE \*1
9. 702433 SUPPORT - EXH. PIPE
10. 94350 INSULATOR - EXH. SYSTEM (8)
11. 94292 SPACER - EXH. SYSTEM (8)
12. 94354 WASHER - EXH. SYSTEM (9)
13. 123798 BOLT  $\frac{3}{8}$ -24 x  $1\frac{1}{4}$  HEX (8)
14. 120214 L.W.  $\frac{3}{16}$  MED. SPRING (8)
15. 120368 NUT  $\frac{3}{16}$ -24 HEX. (8)
16. 97590 RESONATOR ASM. - EXH.
17. 706383 EXTENSION - EXH. PIPE \*2
18. 96060 BRACKET - EXH. PIPE (2)
19. 705287 MUFFLER ASM. - EXH.
20. 94293 BRACKET - MUFFLER SUPPORT REAR
21. 706461 PIPE - EXH. TAIL
22. 94676 BRACKET - MUFFLER OUTLET PIPE INSUL.
23. 705290 CLAMP ASM. - EXH. TAIL PIPE  $1\frac{1}{8}$
24. ML-110 SEALER - EXH.

DATE	CHANGES
11-29-73 (0)	705291 Was (1) 705290



VIEW IN CIRCLE A



VIEW IN CIRCLE B