

CHECKER MOTORS CORP. KALAMAZOO, MICH.

EFFECTIVE MODEL YEAR 1974

MODEL:

B-11
B-11E
B-12
B-12E
B-12W

DATE

6-6-73

GRAPHIC ILLUSTRATION

EVAPORATIVE EMISSION CONTROL - FRAME TUBE

DWN. CHK.

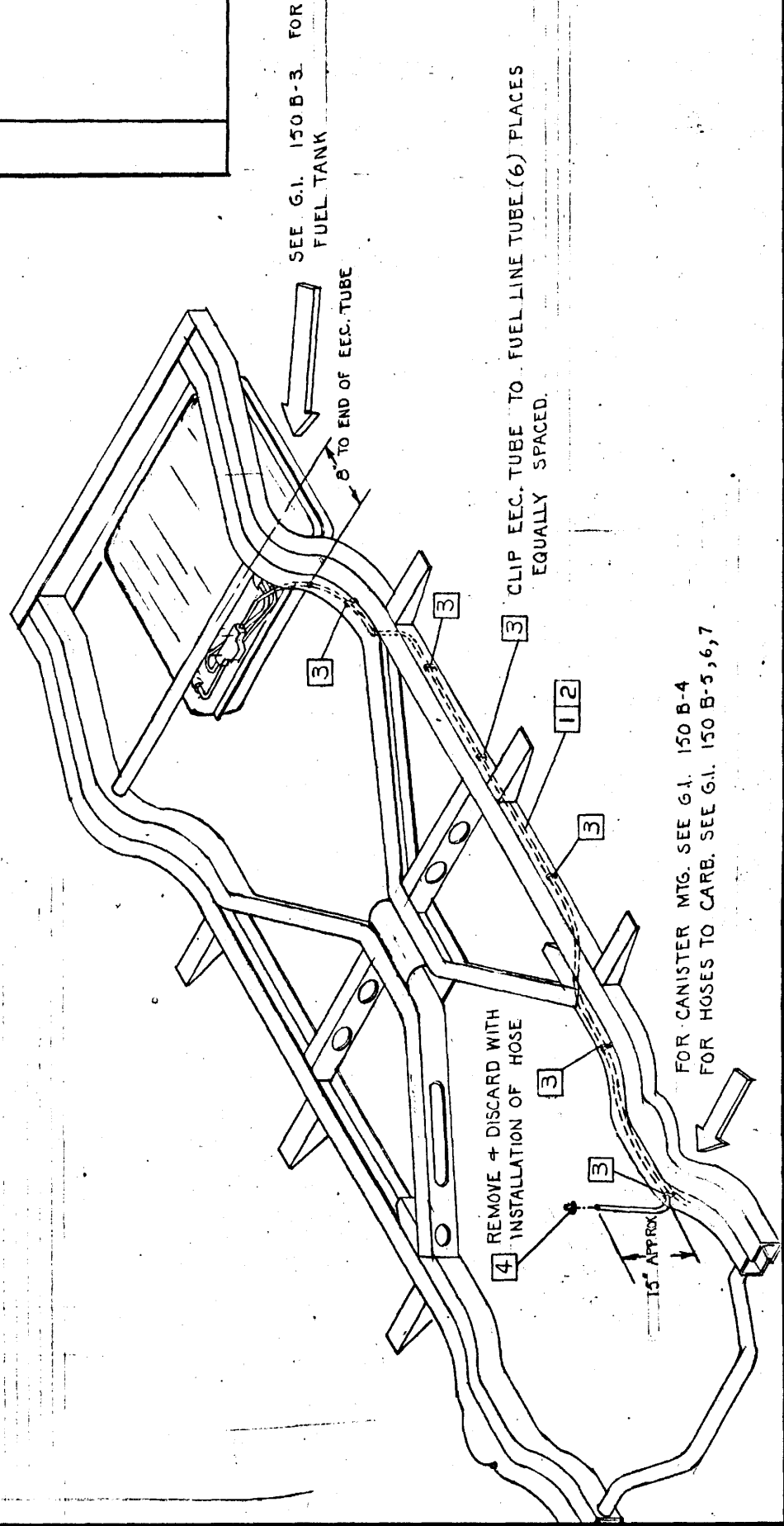
SHEET NO. 150 B-1

APPVD. SUPERSEDES G.I. 150 A-1 PER MEMO # 537

DATE

CHANGES

1. 703619 TUBE ASSEM. - CANISTER TO SEP. (B-11E, B-12E)
2. 705153 TUBE ASSEM. - CANISTER TO SEP. (B-11, B-12, B-12W)
3. 702612 CLIP $\frac{5}{16}$ " DOUBLE TUBE "S" (6)
4. 626869 CAPPLUG "3"
- 5.



CHECKER MOTORS CORP. KALAMAZOO, MICH.

EFFECTIVE MODEL YEAR 1974

SHEET NO. 150 B-2

DWN. DESG.
CHK.

APPVD. SUPERSEDES G.I. 150 A-6 PER MEMO * 337

GRAPHIC ILLUSTRATION
EVAPORATIVE EMISSION CONTROL - FRAME TUBE AEROSOL

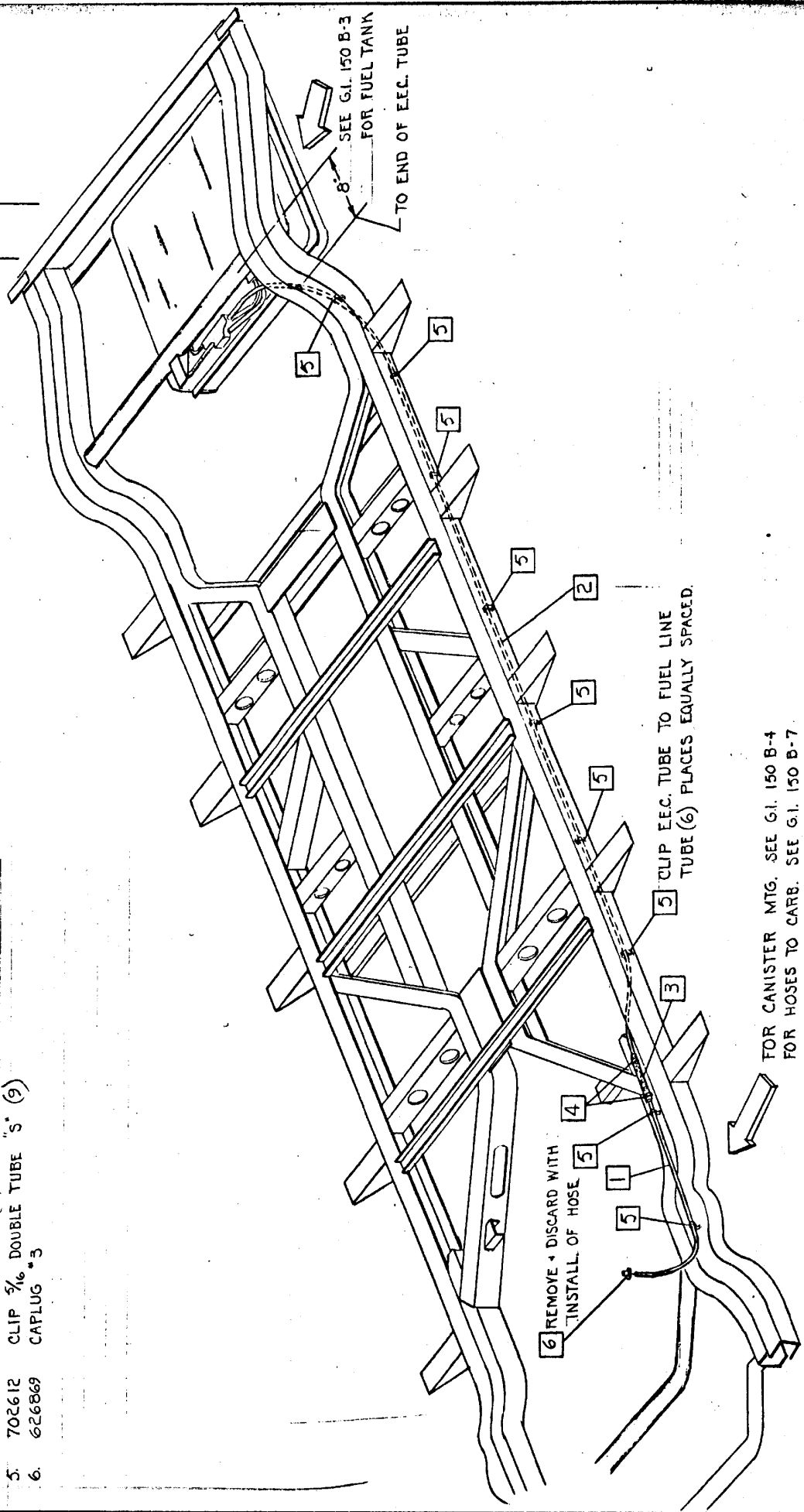
DATE
6-7-73

MODEL:
B-12W8

1. 706135 TUBE - CANISTER TO HOSE - FRAME
2. 703619 TUBE ASM. - CANISTER TO SEP. FRAME
3. 706134 HOSE - EVAP. EMISSION
4. 704683 CLAMP - HOSE (2)
5. 702612 CLIP $\frac{3}{16}$ DOUBLE TUBE "S" (9)
6. 626869 CAPPLUG *3

DATE

CHANGE



FOR CANISTER MTG. SEE G.I. 150 B-4
FOR HOSES TO CARB. SEE G.I. 150 B-7.

CHECKER MOTORS CORP. KALAMAZOO, MICH.

EFFECTIVE MODEL YEAR 1974

DWN. BY: _____
 CHK. _____
 SHEET NO. 150 B-3

APPVD. SUPERSEDES G.I. 150A-2 PER MEMO "337

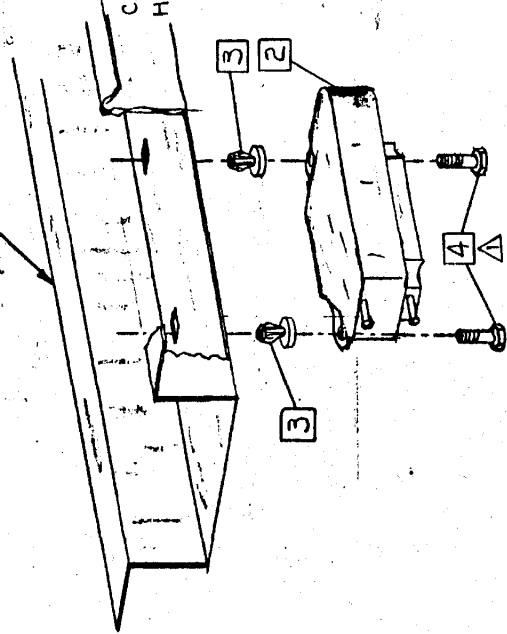
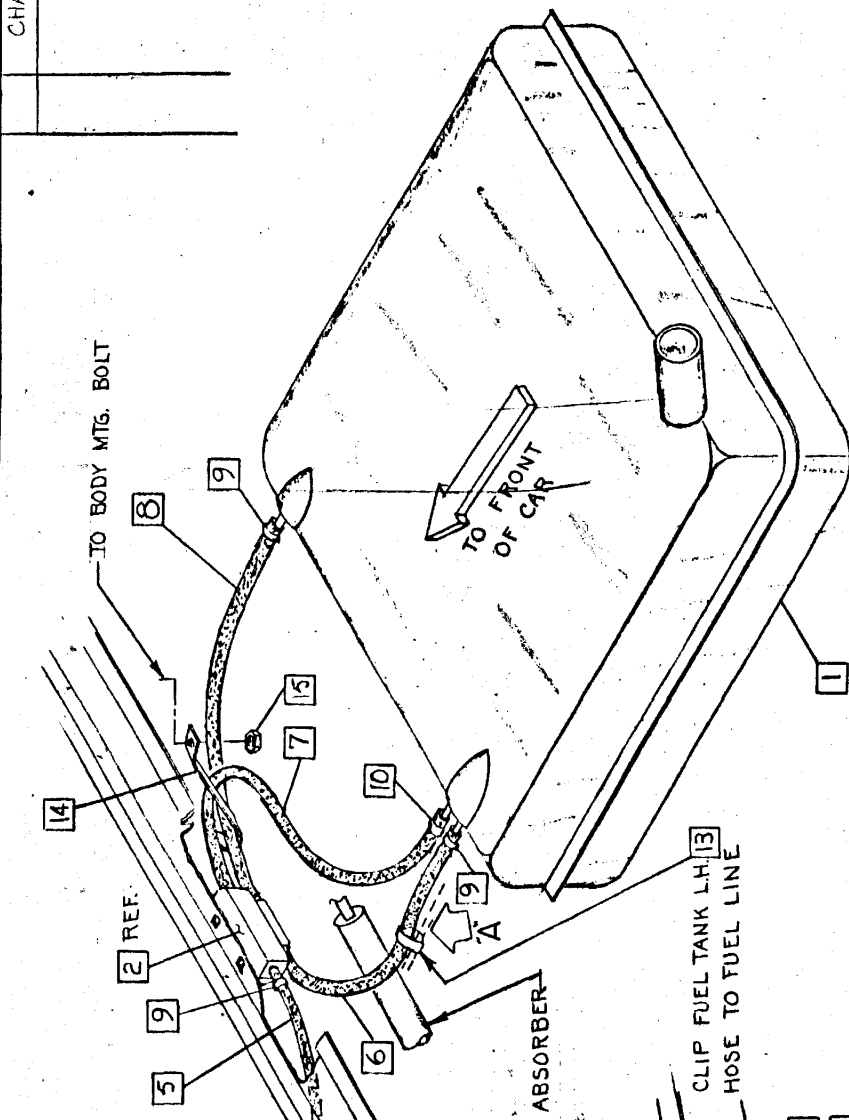
CHANGES

GRAPHIC ILLUSTRATION

EVAPORATIVE EMISSION CONT. - FUEL TANK

MODEL:	B-11	B-11E	DATE
	B-12	B-12E	6-7-73
	B-12W	B-12WB	

- 1. 705115 FUEL TANK ASSEM.
- 2. 703793 SEPARATOR ASSEM. - LIQUID
- 3. 704682 GROMMET (2)
- 4. 9425106 SCREW 1/4-20x7/8 HEX. W/HD (2)
- 5. 704646 HOSE - SEP. TO FRAME TUBE
- 6. 704643 HOSE - SEP. TO FUEL TANK L.H.
- 7. 704645 HOSE - SEP. TO FUEL TANK R.H.
- 8. 704644 HOSE - SEP. TO FUEL TANK R.H.
- 9. 704683 CLAMP - HOSE (6)
- 10. 704684 CLAMP - HOSE (2)
- 11. 703619 TUBE ASSEM. (B-11E, B-12E)
- 12. 705153 TUBE ASSEM. (B-11, B-12, B-12WB)
- 13. 704825 CLIP - BAND
- 14. 82144 CLIP - "J" TYPE
- 15. 120377 NUT 3/8-16 HEX.



▲ 24-30 IN LBS. TORQUE

CHECKER MOTORS CORP. KALAMAZOO, MICH.

EFFECTIVE : MODEL YEAR 1974

DWN. DESK. SHEET NO. 150 B-4
CHK. PER MEMO *327

GRAPHIC ILLUSTRATION
EVAP. EMISSION CONT. - CANISTER INSTALLATION

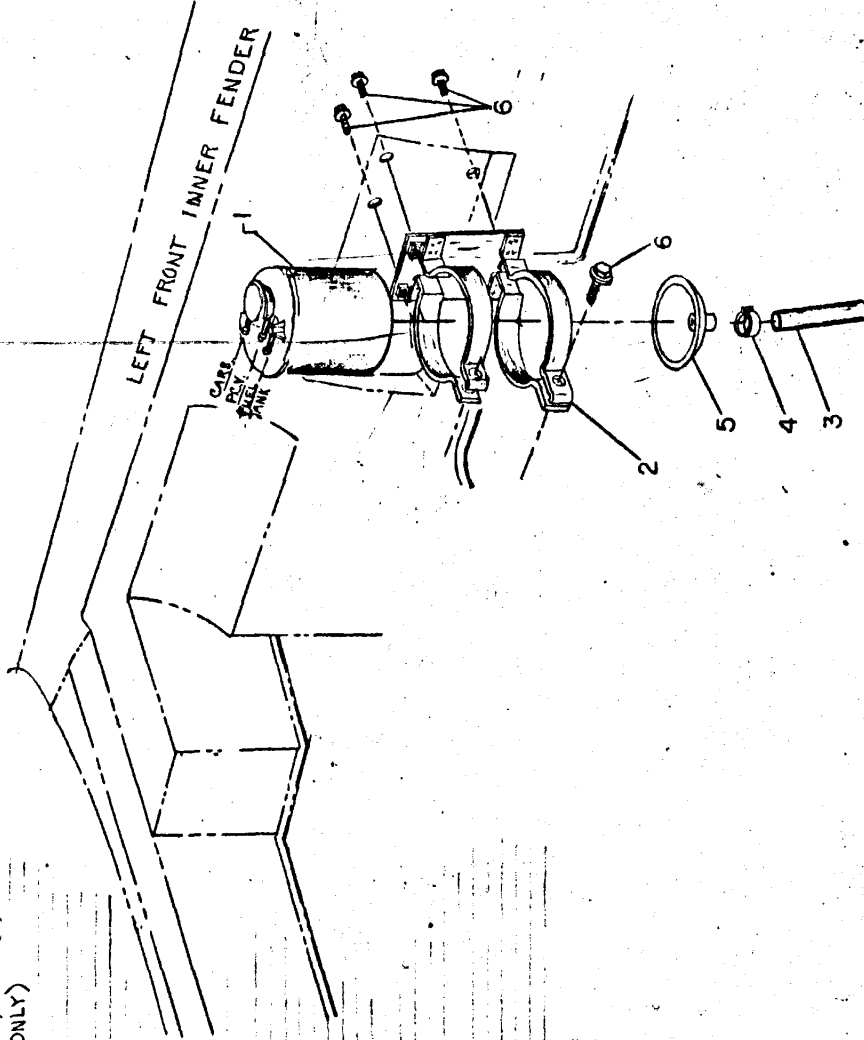
DATE
6-7-73

B-11E
B-12E
B-12WB

MODEL: B-11
B-12
B-12W

1. 703984 CANISTER ASM. - VAPOR (6 CYL ONLY)
2. 703853 SUPPORT ASM. - FUEL VENT CANISTER
3. 640621 HOSE - CANISTER DRAIN
4. 704684 CLAMP - CANISTER DRAIN HOSE
5. 704693 CAP - CANISTER DRAIN
6. 274473 BOLT 1/4 - 20 x 3/8 HEX SERR. W/HD. (5)
7. 705358 CANISTER ASM. - VAPOR (8 CYL ONLY)

CHANGES

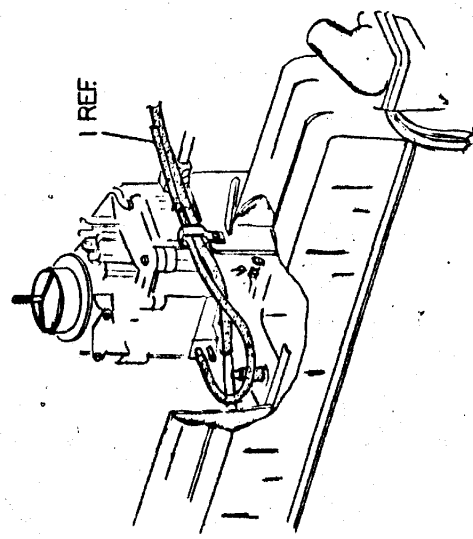
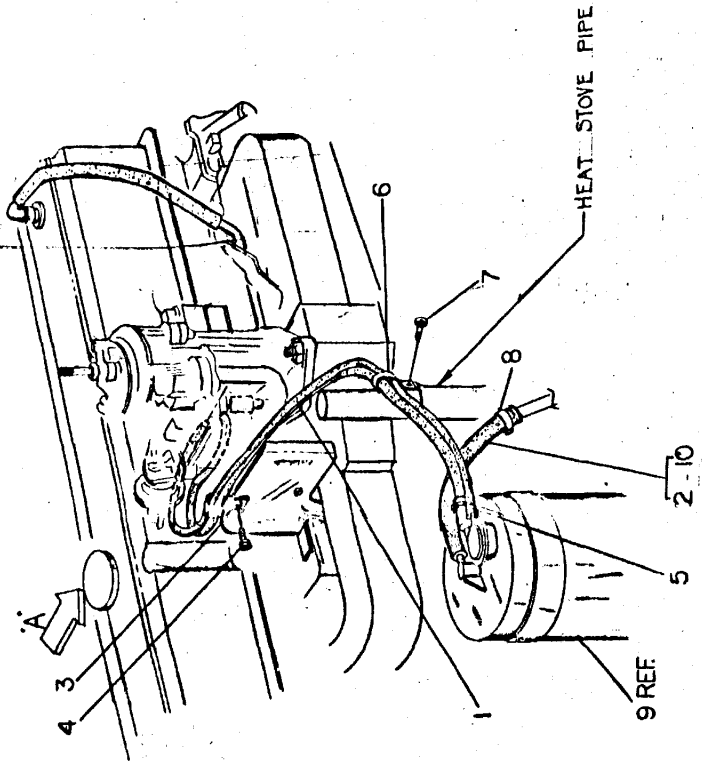


EFFECTIVE MODEL YEAR 1974

CHECKER MOTORS CORP. KALAMAZOO, MICH.

MODEL: B-II B-11E	B-12	DATE	SHEET NO. 150 B-5
	B-12E B-12W	6-6-73	
GRAPHIC ILLUSTRATION		CHK.	APPVD. SUPERSEDES G1. 150 A-11 PER MEYO 537
EVAPORATIVE EMISSION CONTROL - 6 CYL. ENG. COMPT		DWN.	CHANGES
		704644	ADDED

1. 703804 HOSE ASM. - EVAP. EMISSION 6 CYL.
2. 704646 HOSE - SEP. + CAN. TO FRM. TUBE (CALIF. ONLY)
3. 706278 CLIP - EVAP. EMISSION HOSE
4. 163158 SCREW *8 * 3/8 PHCR.
5. 704701 CLAMP - HOSE .460 DIA.
6. 702221 CLAMP - 1/16 CLOSED
7. 626456 SCREW + WASHER ASM. *8 * 3/4
8. 704683 CLAMP - HOSE .520 DIA.
9. 703984 CANISTER ASM. - VAPOR
10. 704644 HOSE - SEP. + CAN. TO FRM. TUBE



VIEW IN DIRECTION OF ARROW 'A'

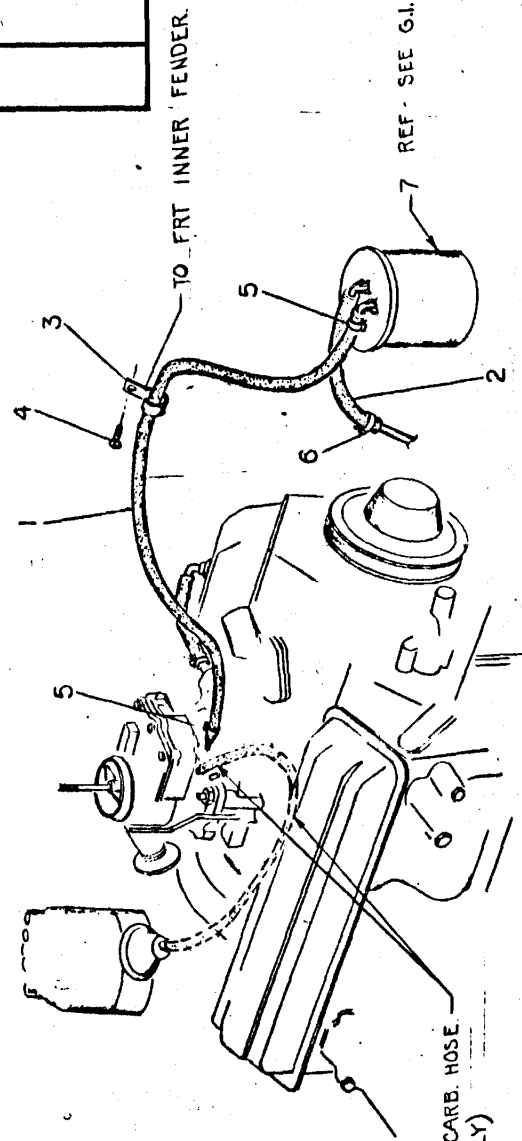
CHECKER MOTORS CORP. KALAMAZOO, MICH.

EFFECTIVE MODEL YEAR 1974

MODEL: B-12 B-12E B-11E	DATE: 6-7-73	GRAPHIC ILLUSTRATION	SHEET NO. 150 B-6
B-12 B-12E B-12W		EVAPORATIVE EMISSION CONTROL 2 CYL. 2 BBL. CARB.	APPVD. SUPERCEDES G.I. 150A-10 FER MEMO #597

- 1. 704869 HOSE - EVAP. EMISSION
- 2. 704644 HOSE - SEP. & CAN. TO FRAME TUBE
- 3. B2144 CLIP - "J" TYPE
- 4. 626456 SCREW & WASHER ASM. - 8.3/4
- 5. 704701 CLAMP - HOSE .420 DIA. (2)
- 6. 704683 CLAMP - HOSE .520 DIA.
- 7. 705358 CANISTER ASM. - VAPOR.

DATE	CHANGES
7-30-73	7-4869 Added
4-10-74	82144 Was 702221 704644 Was 704646



DIST. TO CARB. HOSE
(REF. ONLY)

REF. SEE G.I. 150

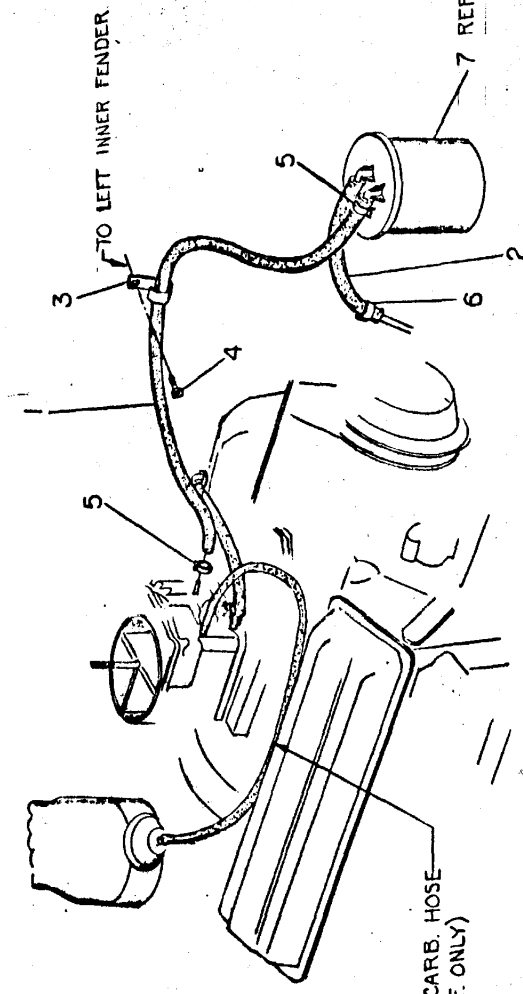
CHECKER MOTORS CORP. KALAMAZOO, MICH.

EFFECTIVE MODEL YEAR 1974

MODEL:	B-12WB	DATE	7-18-73
DWN. CHK.		SHEET NO.	150 B-7
GRAPHIC ILLUSTRATION		APPVD. SUPERSEDS G.I. 150A-II PER MEMO 397	
EVAPORATIVE EMISSION CONTROL - 5 CYL. 4 Bbl. CARB.			

- 1. 704869 HOSE - EVAP. EMISSION
- 2. 704644 HOSE - SEP. & CAN. TO FRM. TUBE
- 3. 82144 CLIP - "J" TYPE
- 4. 626456 SCREW + WASHER ASM. - 8 x 3/4
- 5. 704701 CLAMP - HOSE .460 DIA. (2)
- 6. 704683 CLAMP - HOSE .520 DIA.
- 7. 705358 CANISTER ASM. - VAPOR

DATE	CHANGES
7-30-73	704869 Added
~	82144 Was 702221
4-10-74	704644 Was 704646



7 REF. SEE G.I. 150 B-4