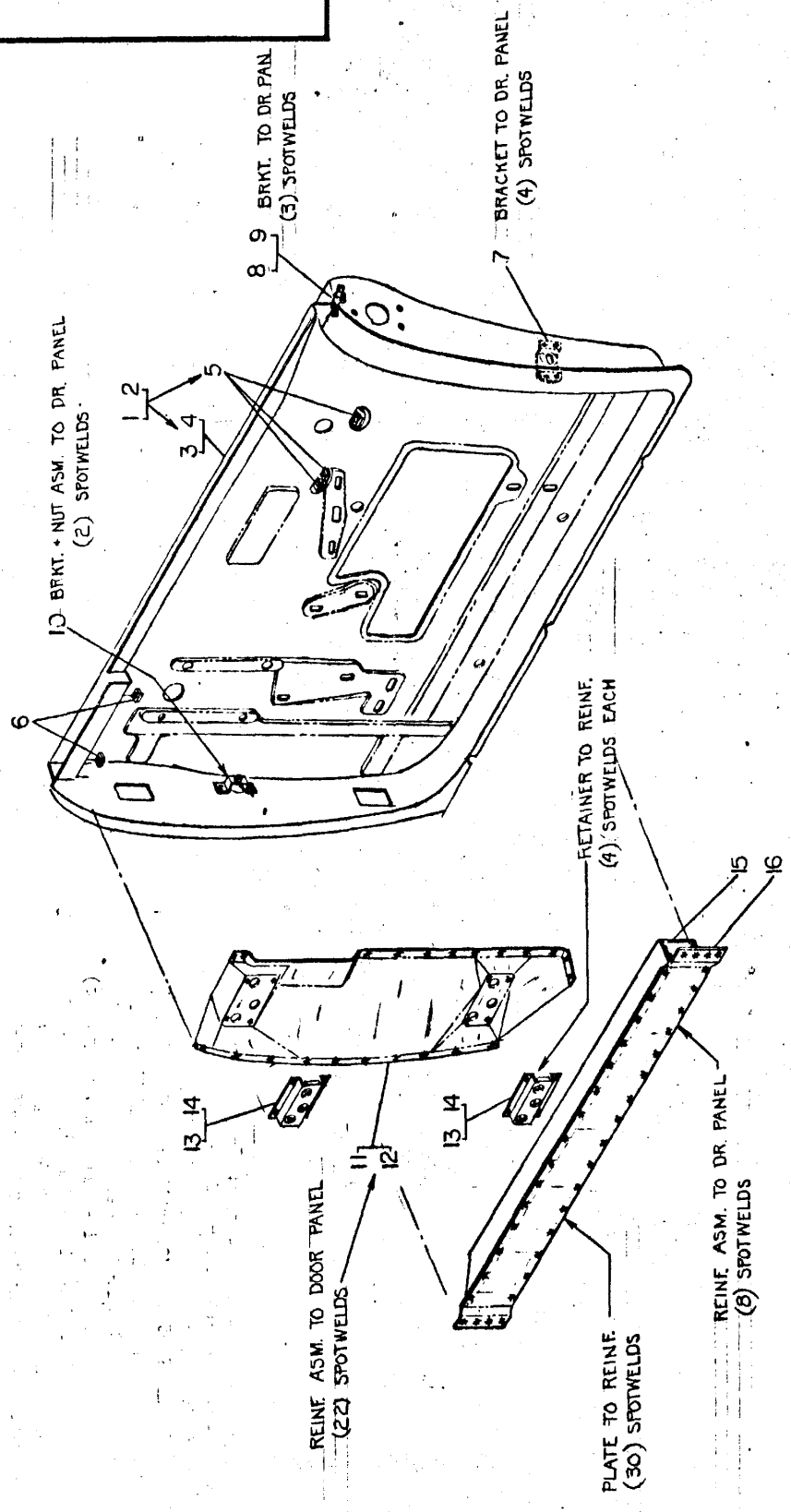


CHECKER MOTORS CORP. KALAMAZOO, MICH.

EFFECTIVE MODEL YEAR 1974

MODEL: A-11 A-11E A-11E	A-12	DATE	DWN. 12/73 CHK.	SHEET NO. 130 B-1
	A-12W6 A-12W	8-22-73		
DOOR ASM. - FRT. WELDED			APPVD. SUPERSEDES G.I. 130A-1	CHANGES

FOR PART NO SEE G.I. 130 B-3



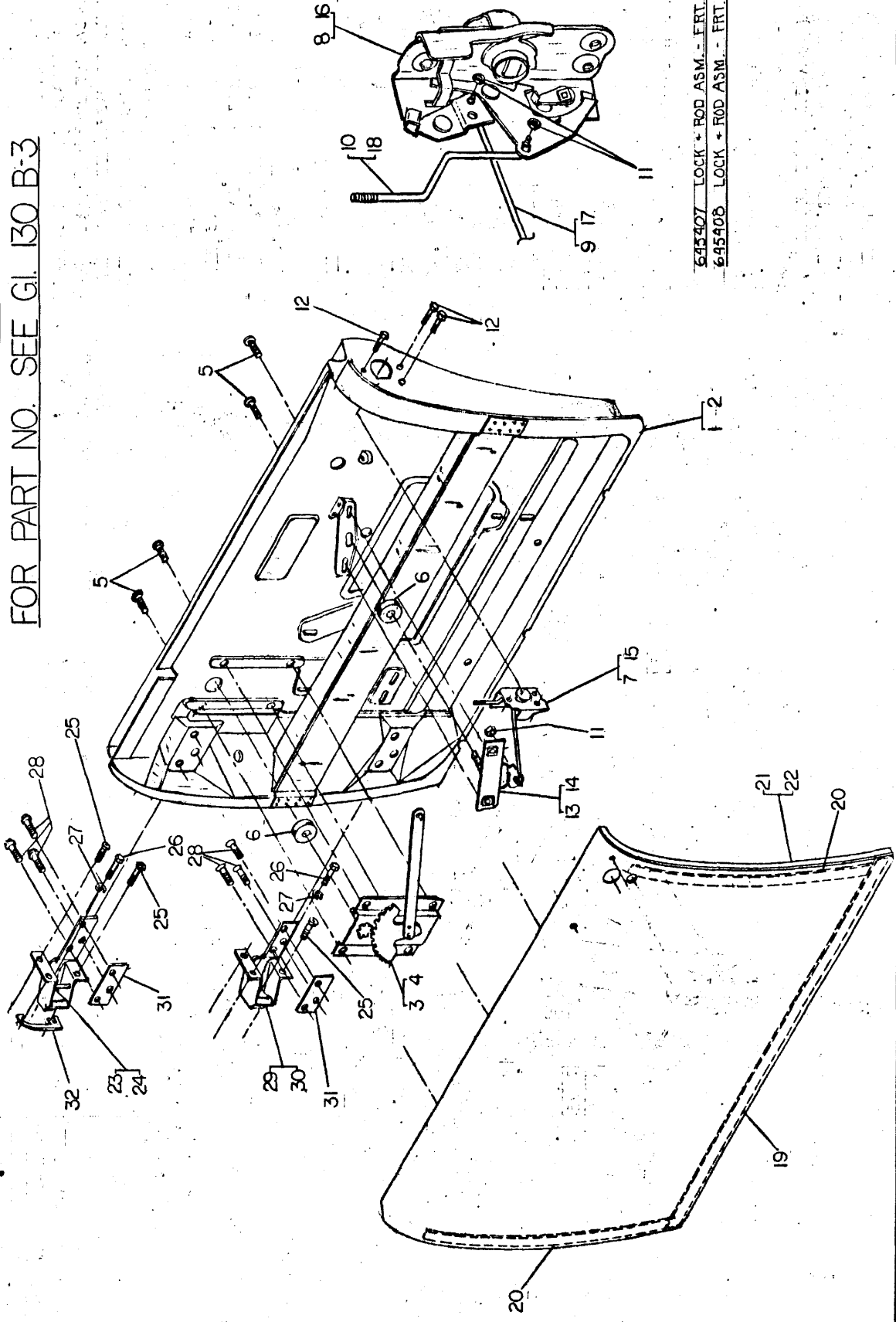
647937 PANEL ASM. - FRT. DR. INNER WELDED LH. TOTAL SPOTWELDS (77)
 647938 PANEL ASM. - FRT. DR. INNER WELDED RH. TOTAL SPOTWELDS (77)

CHECKER MOTORS CORP. KALAMAZOO, MICH.

EFFECTIVE MODEL YEAR 1974

MODEL:	A-12	DATE	10-9-73	GRAPHIC ILLUSTRATION	DWN. DESIG.	SHEET NO. 130 B-2
A-11	A-12E	A-12W8		DOORS - FRONT LOWER	CHK. 12-11-73	
A-11E	A-12W				APPVD. SUPERSEDES GI 130 A-1	

FOR PART NO. SEE GI 130 B-3



645407 LOCK + ROD ASM. - FRT. DOOR LH
 645408 LOCK + ROD ASM. - FRT. DOOR RH

CHECKER MOTORS CORP. KALAMAZOO, MICH.

EFFECTIVE MODEL YEAR 1972

SHEET NO. 130 B-3

DWN. CHK.

GRAPHIC ILLUSTRATION

MODEL: A-11 A-12 A-12E A-12WB A-12W DATE: 8-24-73 DOOR, ASM. - FRT

APPVD. SUPERSEDES G.I. 130A-1

MODEL:	DATE	CHANGES
647935 PANEL * BRACKET ASM. - FRT. DR. INNER LH.		
647936 PANEL * BRACKET ASM. - FRT. DR. INNER RH.		
1. 647933 PANEL * NUT ASM. - FRT. DR. INNER LH.		
2. 647934 PANEL * NUT ASM. - FRT. DR. INNER RH.		
3. 646519 PANEL - FRT. DR. INNER LH.		
4. 646520 PANEL - FRT. DR. INNER RH.		
5. 626541 NUT 1/4-20 PIERCE (6)		
6. 626005 NUT 1/4-20 FLOATING (4)		
7. 630249 BRACKET - FRT. DR. FRM. LOWER REAR (2)		
8. 630177 BRACKET - DR. FRM. UPPER REAR LH.		
9. 630178 BRACKET - DR. FRM. UPPER REAR RH.		
10. 641280 BRACKET * NUT ASM. - FRT. TELL TALE LIGHT (2)		
631333 REINFORCEMENT ASM. - FRT. DR. HINGE LH.		
631334 REINFORCEMENT ASM. - FRT. DR. HINGE RH.		
11. 630173 REINFORCEMENT - FRT. DR. HINGE LH.		
12. 630174 REINFORCEMENT - FRT. DR. HINGE RH.		
13. 630175 RETAINER - FRT. HINGE TAPP PLT. (4)		
14. 630176 PLATE - FRT. DR. HINGE TAPP. (4)		
647647 REINFORCEMENT * PLATE ASM. - FRT. DR. OUTER (2)		
15. 646310 REINFORCEMENT - FRT. DR. OUTER (2)		
16. 646311 PLATE - FRT. DR. OUTER REINF. (2)		
647937 PANEL ASM. - FRT. DOOR INNER LH.		
647940 PANEL ASM. - FRT. DOOR INNER RH.		
1. 647937 PANEL ASM. - FRT. DR. INNER WELDED LH.		
2. 647938 PANEL ASM. - FRT. DR. INNER WELDED RH.		
3. 639089 REGULATOR ASM. - FRT. DR. WINDOW LH.		
4. 639090 REGULATOR ASM. - FRT. DR. WINDOW RH.		
5. 187987 SCREW * ET. LW. ASM. 12-24 * 1/2 RHCR. (12)		
6. 642509 SEAL - DR. REG. * REMOTE CONTROL (2)		
7. 645407 LOCK * ROD ASM. - FRT. DOOR LH.		
8. 645341 LOCK ASM. - FRT. DR. LH.		
9. 640161 ROD - FRT. LOCK LH.		
10. 640153 ROD - FRT. DR. LH.		
11. 626485 NUT 3/2 SELF THREADING (6)		
12. 445638 SCREW * ET. LW. ASM. 12-24 * 1/2 FHCR. (6)		
13. 639161 CONTROL ASM. - DOOR REMOTE LH.		
14. 63762 CONTROL ASM. - DOOR REMOTE RH.		
15. 645408 LOCK * ROD ASM. - FRT. DOOR RH.		
16. 645342 LOCK ASM. - FRT. DR. RH.		
17. 640162 ROD - FRT. LOCK RH.		
18. 640154 ROD - FRT. DR. RH.		
19. 640434 FILLER - DOOR BOTTOM (2)		
20. 640332 FILLER - DOOR SIDE (4)		
21. 644683 PANEL - FRT. DOOR OUTER LH.		
22. 644694 PANEL - FRT. DOOR OUTER RH.		
23. 631345 HINGE ASM. - FRT. UPPER LH.		
24. 631346 HINGE ASM. - FRT. UPPER RH.		
25. 271461 SCREW * LW. ASM. 3/8-24 * 3/4 FHCR (16)		
26. 181595 BOLT 3/8-24 * 1/2 HEX. (4)		
27. 120214 LW. 3/8 MED. SPRING (4)		
28. 626505 SCREW 3/8-24 * 1 HEX SERR. HD. (12)		
29. 631349 HINGE ASM. - FRT. LOWER LH.		
30. 631350 HINGE ASM. - FRT. LOWER RH.		
31. 644594 SHIM - FRT. DR. HINGE (2 OR AS REQ'D)		
32. 638199 SHIM - FRT. DR. HINGE (AS REQ'D)		

PART NO. FOR G.I. 130B-1

PART NO. FOR G.I. 130B-2

CHECKER MOTORS CORP. KALAMAZOO, MICH.

EFFECTIVE MODEL YEAR 1974

SHEET NO. 130 B-4

DWN. DESK. CHK.

APPVD. SUPERSEDES G.I. 130 A-1

GRAPHIC ILLUSTRATION

DOOR ASM. - FRT. WELDED COMPLETE

DATE

8-27-73

A-12W6

A-12

A-12E

A-12W

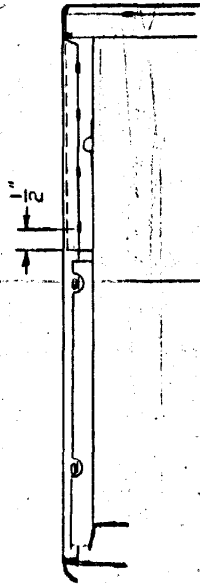
MODEL:

A-11

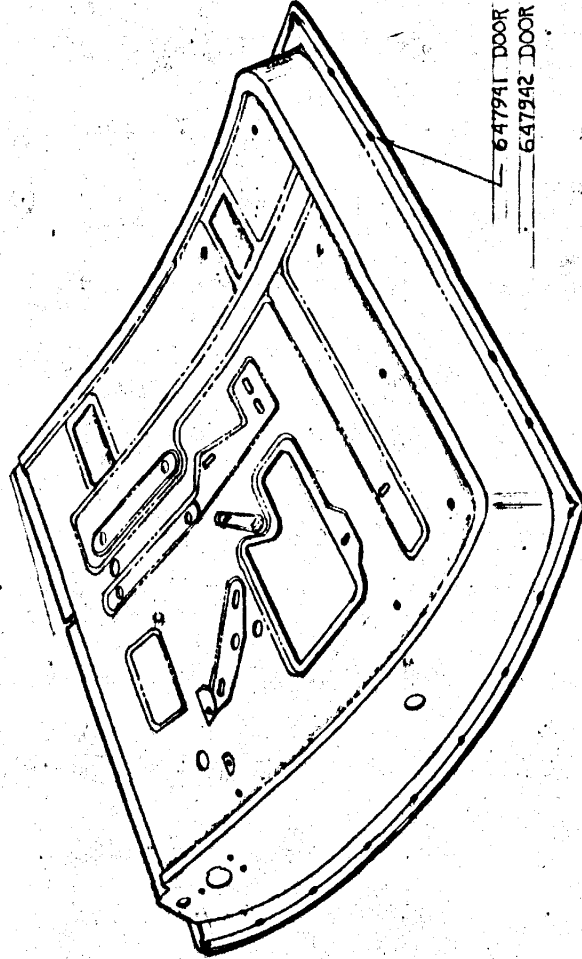
A-11E

CHANGES

DATE



VIEW IN DIRECTION OF ARROW A



647941 DOOR ASM. - FRT. LOWER LH. (TOTAL WIRE WELDS - 30)

647942 DOOR ASM. - FRT. LOWER RH. (TOTAL WIRE WELDS - 30)

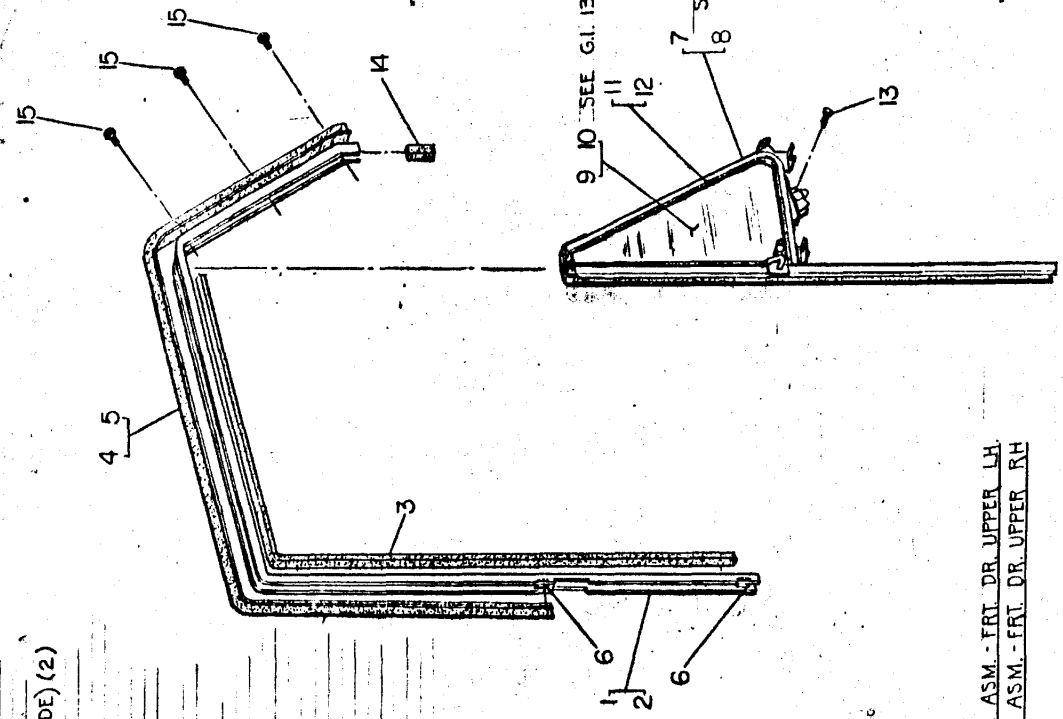
CHECKER MOTORS CORP. KALAMAZOO, MICH.

EFFECTIVE MODEL YEAR 1974

MODEL:	A-12	A-12WB	DATE	8-29-73
A-11	A-12E	A-12W	GRAPHIC ILLUSTRATION	
A-11E	DOORS - FRT UPPER		DWN. DESIGNED	
APPVD.			CHK. 62-9-9-73	
SUPERSEDES G1 130A-3			SHEET NO. 130 B-5	

CHANGES	DATE
642581 + 2 W/RAE 702581 + 2	1-31-74

- 643207 FRAME ASM. - FRT. DR. UPPER LH.
- 643208 FRAME ASM. - FRT. DR. UPPER RH.
- 1. 642579 FRAME - FRT. DR. UPPER LH.
- 2. 642580 FRAME - FRT. DR. UPPER RH.
- 3. MZ-101 CHANNEL - FLEX. WINDOW (4.48' EACH SIDE) (2)
- 4. 642581 WEATHERSEAL - FRT. DR. UPPER FRM. LH.
- 5. 642582 WEATHERSEAL - FRT. DR. UPPER FRM. RH.
- 6. 626763 NUT 1/4 - 20 OHIO WELD (4)
- 641201 VENT WINDOW ASM. - FRT. DR. LH.
- 641202 VENT WINDOW ASM. - FRT. DR. RH.
- 7. 641203 FRAME ASM. - VENT WINDOW LH.
- 8. 641204 FRAME ASM. - VENT WINDOW RH.
- 9. 641213 WING ASM. - VENT WINDOW LH.
- 10. 641214 WING ASM. - VENT WINDOW RH.
- 11. 640091 WEATHERSEAL - VENT WINDOW FRT. LH.
- 12. 640092 WEATHERSEAL - VENT WINDOW FRT. RH.
- 13. 178434 SCREW 1/4 - 12 - 1/2 HEX. (2)
- 14. 634698 SEAL - VENT WINDOW LOWER (2)
- 15. 626632 SCREW - LW. ASM. - 8-32 - 1/2 PHCR. (6)



643213 FRAME & VENT WDO. ASM. - FRT. DR. UPPER LH.
 643214 FRAME & VENT WDO. ASM. - FRT. DR. UPPER RH.

CHECKER MOTORS CORP. KALAMAZOO, MICH.

EFFECTIVE MODEL YEAR 1974

DWN. SHEETS
CHK. SHEETS

SHEET NO. 130 B-6

APPRVD.

DATE

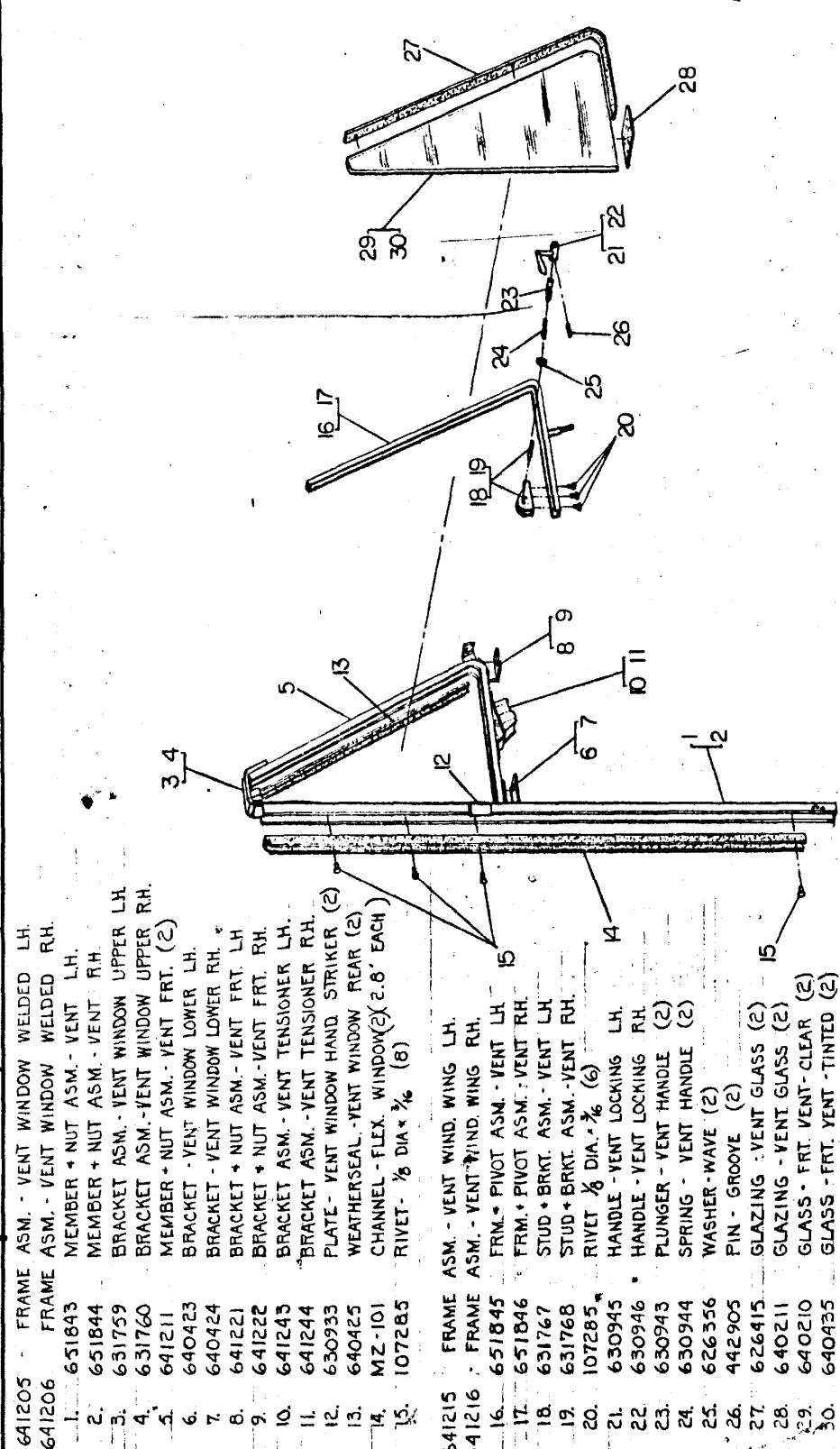
9-11-73

MODEL: A-11 A-12E A-12WB A-12W

GRAPHIC ILLUSTRATION

DOOR ASM. - FRT VENT WINDOW

DATE	CHANGES
3-11-74	651845, 46 WERE 641217, 18
"	651843, 44 WERE 641207, 08



- 641205 FRAME ASM. - VENT WINDOW WELDED LH.
- 641206 FRAME ASM. - VENT WINDOW WELDED RH.
- 1. 651843 MEMBER + NUT ASM. - VENT LH.
- 2. 651844 MEMBER + NUT ASM. - VENT RH.
- 3. 631759 BRACKET ASM. - VENT WINDOW UPPER LH.
- 4. 631760 BRACKET ASM. - VENT WINDOW UPPER RH.
- 5. 641211 MEMBER + NUT ASM. - VENT FRT. (2)
- 6. 640423 BRACKET - VENT WINDOW LOWER LH.
- 7. 640424 BRACKET - VENT WINDOW LOWER RH.
- 8. 641221 BRACKET + NUT ASM. - VENT FRT. LH.
- 9. 641222 BRACKET + NUT ASM. - VENT FRT. RH.
- 10. 641243 BRACKET ASM. - VENT TENSIONER LH.
- 11. 641244 BRACKET ASM. - VENT TENSIONER RH.
- 12. 630933 PLATE - VENT WINDOW HAND STRIKER (2)
- 13. 640425 WEATHERSEAL - VENT WINDOW REAR (2)
- 14. MZ-101 CHANNEL - FLEX. WINDOW (2.8' EACH)
- 15. 107285 RIVET - 1/8 DIA x 3/16 (8)
- 641215 FRAME ASM. - VENT WIND. WING LH.
- 641216 FRAME ASM. - VENT WIND. WING RH.
- 16. 651845 FRM. + PIVOT ASM. - VENT LH.
- 17. 651846 FRM. + PIVOT ASM. - VENT RH.
- 18. 631767 STUD + BRKT. ASM. - VENT LH.
- 19. 631768 STUD + BRKT. ASM. - VENT RH.
- 20. 107285 RIVET 1/8 DIA. x 3/16 (6)
- 21. 630945 HANDLE - VENT LOCKING LH.
- 22. 630946 HANDLE - VENT LOCKING RH.
- 23. 630943 PLUNGER - VENT HANDLE (2)
- 24. 630944 SPRING - VENT HANDLE (2)
- 25. 626356 WASHER - WAVE (2)
- 26. 442905 PIN - GROOVE (2)
- 27. 626415 GLAZING - VENT GLASS (2)
- 28. 640211 GLAZING - VENT GLASS (2)
- 29. 640210 GLASS - FRT. VENT - CLEAR (2)
- 30. 640435 GLASS - FRT. VENT - TINTED (2)

641213 WING ASM. - VENT WINDOW LH.
641214 WING ASM. - VENT WINDOW RH.

641203 FRAME ASM. - VENT WINDOW LH.
641204 FRAME ASM. - VENT WINDOW RH.