

CHECKER MOTORS CORP. KALAMAZOO, MICH.

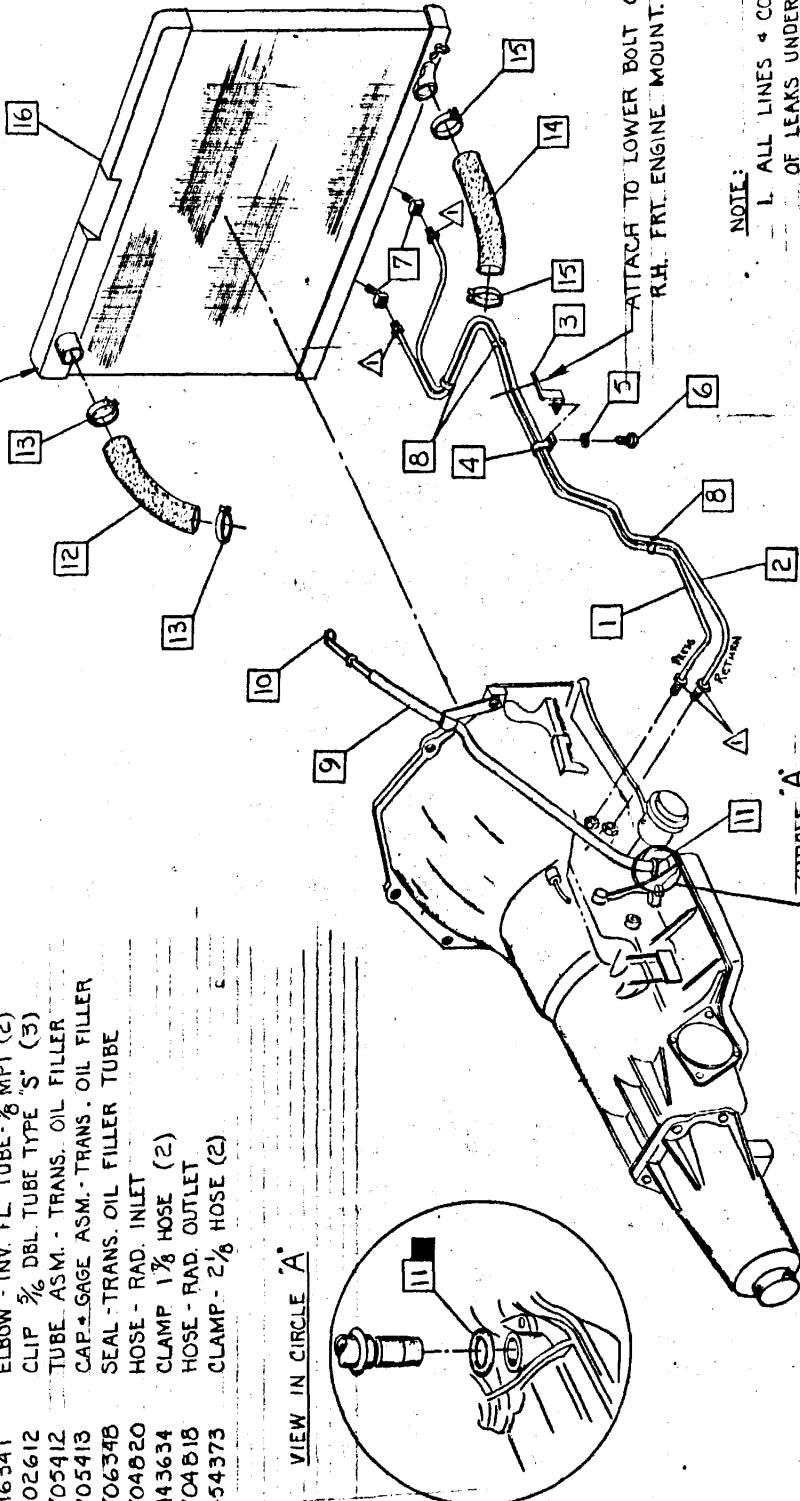
EFFECTIVE MODEL YEAR 1974

MODEL:	B-12	DATE	6-25-73
B-11	B-12E	GRAPHIC ILLUSTRATION	
B-11E	B-12W	COOLING LINES - TRANS. 8 CYL. HYDRAMATIC	
DWN. JONES	SHEET NO. 110 B-2	APPVD. SUPERSEDES G.I. 110 A-10 PER MEMO # 337	CHANGES
CHK.			1-30-74 443634 Was 441371

1. 705239 TUBE ASM. - TRANS. TO COOLER
2. 705240 TUBE ASM. - COOLER TO TRANS
3. 701668 BRACKET ASM. - TUBE CLAMP MTG.
4. 702611 CLIP 3/8 DBL. CLOSED
5. 120380 L.W. 1/4 MED. SPRING
6. 120706 BOLT 1/4 - 20 x 1/2 HEX.
7. 116341 ELBOW - INV. FL. TUBE - 1/8 MFT (2)
8. 702612 TUBE ASM. - TRANS. OIL FILLER
9. 705412 CAP. GAGE ASM. - TRANS. OIL FILLER
10. 705413 SEAL - TRANS. OIL FILLER TUBE
11. 706348 HOSE - RAD. INLET
12. 704820 CLAMP 1 1/8 HOSE (2)
13. 443634 HOSE - RAD. OUTLET
14. 704818 CLAMP - 2 1/8 HOSE (2)
15. 454373

APPLY M1-103 TRANS. FLUID TO SEAL PRIOR TO ASSEMBLY

RADIATOR FOR MTG. SEE G.I. 120B1



NOTE:
 1. ALL LINES & CONNECTIONS MUST BE FREE OF LEAKS UNDER OPERATING CONDITIONS.
 2. LINES MUST NOT CONTACT CHASSIS COMPONENTS.

△ 15 - 25 FT. LBS. TORQUE

CHECKER MOTORS CORP. KALAMAZOO, MICH.

EFFECTIVE MODEL YEAR 1974

MODEL: A-12
A-11E
A-11LW

DATE
9-19-73

GRAPHIC ILLUSTRATION

COOLING LINES TRANS. AUX. (KARMAZIN, 206-101)

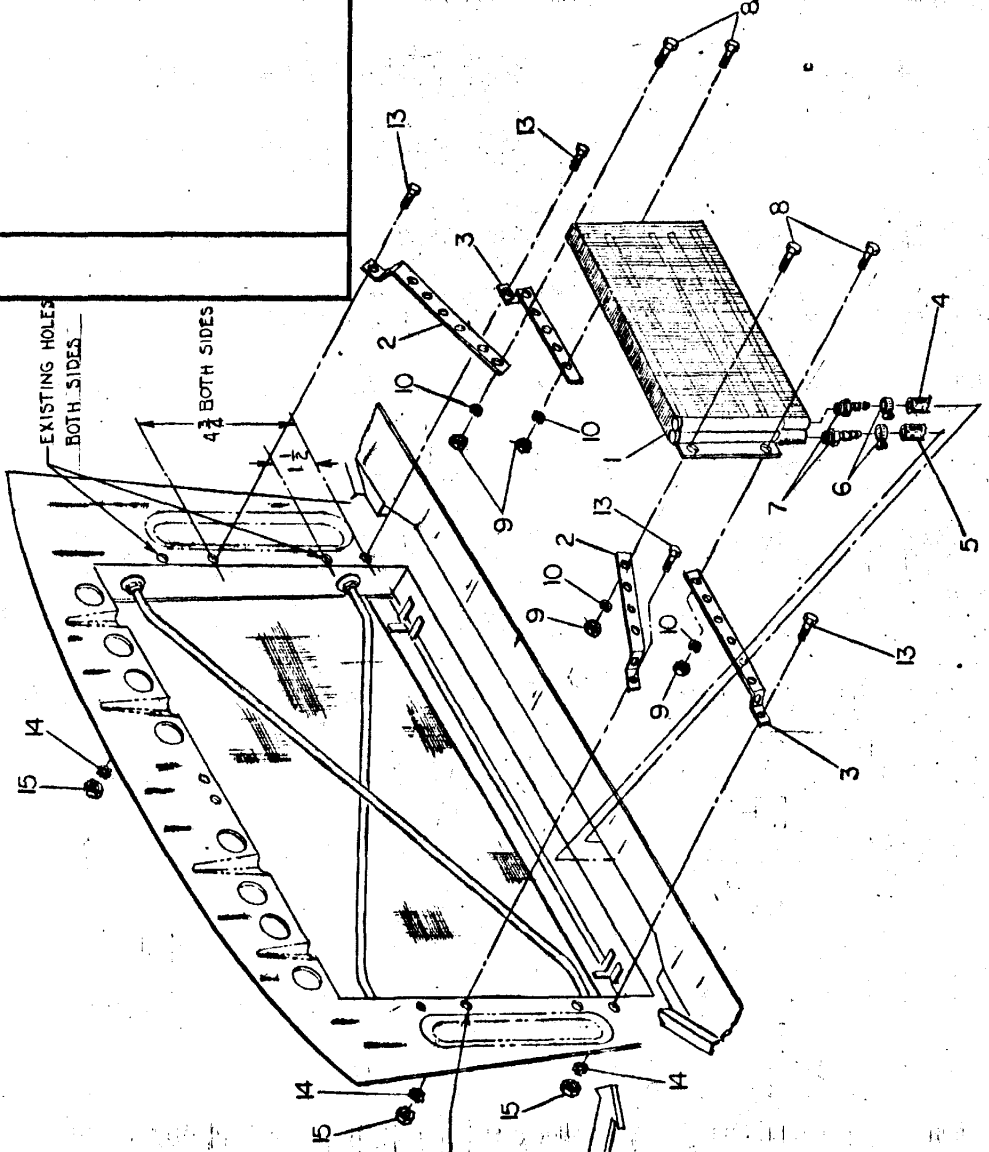
DWN. DENREL
CHK.
APPVD.

SHEET NO. 110B-3

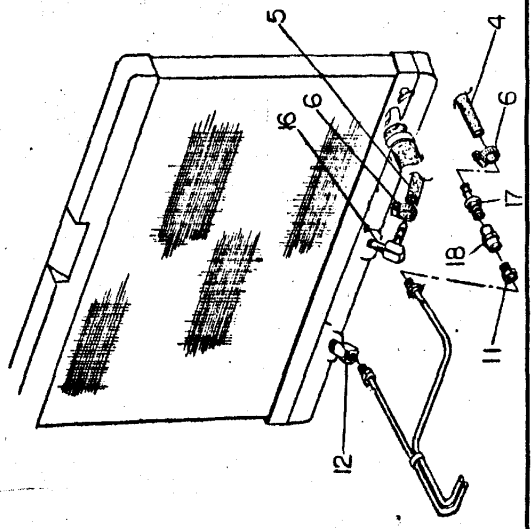
SUPERSEDES G1 110A-11

CHANGES	DATE

- 1. 705429 OIL COOLER KIT - TRANS. (KARMAZIN * 206-101)
- 2. FURN. UPPER STRAPS (2)
- 3. FURN. LOWER STRAPS (2)
- 4. FURN. HOSE CUT TO 11" LG.
- 5. FURN. HOSE CUT TO 12 1/2" LG.
- 6. CLAMP (4)
- 7. FURN. CONNECTOR - BARBED 3/8 ID. HOSE * 1/4 M.P.T. (2)
- 8. FURN. BOLT 1/4-20 * 3/4 HEX (4)
- 9. FURN. NUT 1/4-20 HEX. (4)
- 10. FURN. LW 1/4 MED. SPRING (4)
- 11. 9432264 CONNECTOR 3/8 TUBE INV. ELARE * 1/4 M.P.T.
- 12. 116341 ELBOW 1/8 TUBE INV. FL.
- 13. 124887 BOLT 1/4-20 * 3/4 HEX. (4)
- 14. 174916 LW 1/4 INT. EXT. TOOTH (4)
- 15. 120375 NUT 1/4-20 HEX. (4)
- 16. 626928 ELBOW
- 17. 626924 CONNECTOR - BARBED 3/8 ID. HOSE * 1/4 M.P.T.
- 18. 444096 COUPLING 1/4-18 AUTO PIPE



3/8 DIA. DRILL
3c (4) HOLES



CHECKER MOTORS CORP. KALAMAZOO, MICH.

EFFECTIVE MODEL YEAR 1974

MODEL: A-2H/S

DATE

7-5-79

GRAPHIC ILLUSTRATION

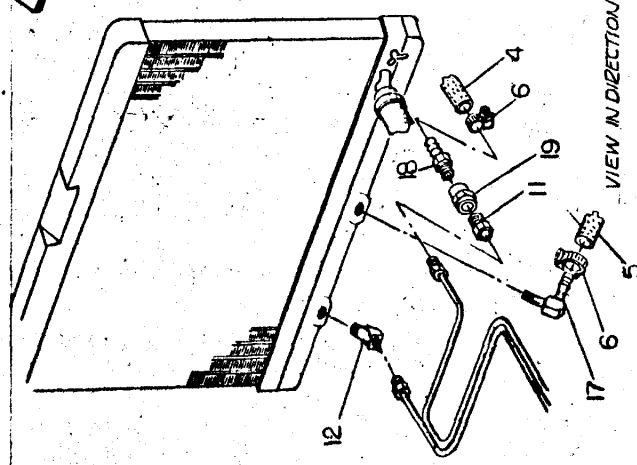
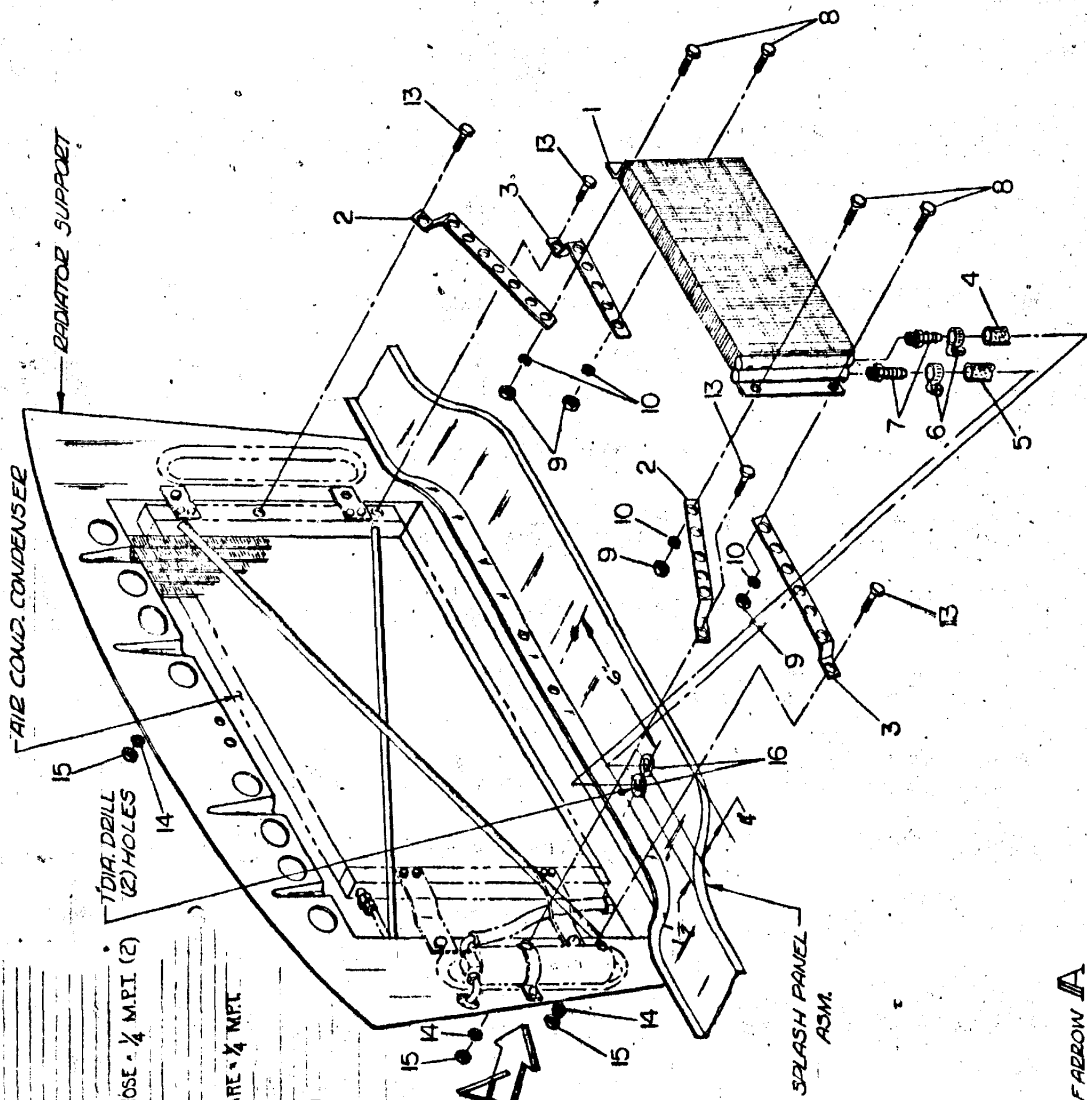
SHEET NO. 110 B - 4

DWN. *ABC*
CHK.

COOLING LINES - TRANS. AUX. - (KARMAZIN *206-101)

APPVD. SUPERSEDES G.I. 110A-II

- | NO. | DESCRIPTION |
|-----|--|
| 1. | OIL COOLER KIT - TRANS (KARMAZIN *206-101) |
| 2. | FURN. UPPER STRAPS (2) |
| 3. | FURN. LOWER STRAPS (2) |
| 4. | FURN. HOSE - CUT 11" LG. |
| 5. | FURN. HOSE - CUT 12 1/2" LG. |
| 6. | FURN. CLAMP (4) |
| 7. | FURN. CONNECTOR - BARBED 3/8" ID. HOSE - 1/4" M.P.T. (2) |
| 8. | FURN. BOLT 1/4" - 20 x 3/4" HEX. (4) |
| 9. | FURN. NUT 1/4" - 20 HEX. (4) |
| 10. | FURN. LW 1/4" MED. SPRING (4) |
| 11. | 9432264 CONNECTOR 3/8" TUBE INV. FLARE - 1/4" M.P.T. |
| 12. | 116341 ELBOW 1/2" TUBE INV. FL. |
| 13. | 120854 BOLT 1/4" - 20 x 3/8" HEX. (4) |
| 14. | 174916 LW 1/4" INT. EXT. TOOTH (4) |
| 15. | 120375 NUT 1/4" - 20 HEX. (4) |
| 16. | 702376 GROMMET 3/4" x 1 1/4" (2) |
| 17. | 626928 ELBOW |
| 18. | 626924 CONNECTOR - BARBED 3/8" ID. |
| 19. | 444096 COUPLING 1/4" 18 AUTO PIPE |



DATE	CHANGES

CHECKER MOTORS CORP. KALAMAZOO, MICH.

EFFECTIVE MODEL YEAR 1974

SHEET NO. 110 B-5

DWN. _____
CHK. _____

APPVD. _____
SUPERSEDES G1. 110 A-8

GRAPHIC ILLUSTRATION

COOLING SYSTEM - RADIATOR OVERFLOW - REAR MID BATTERY

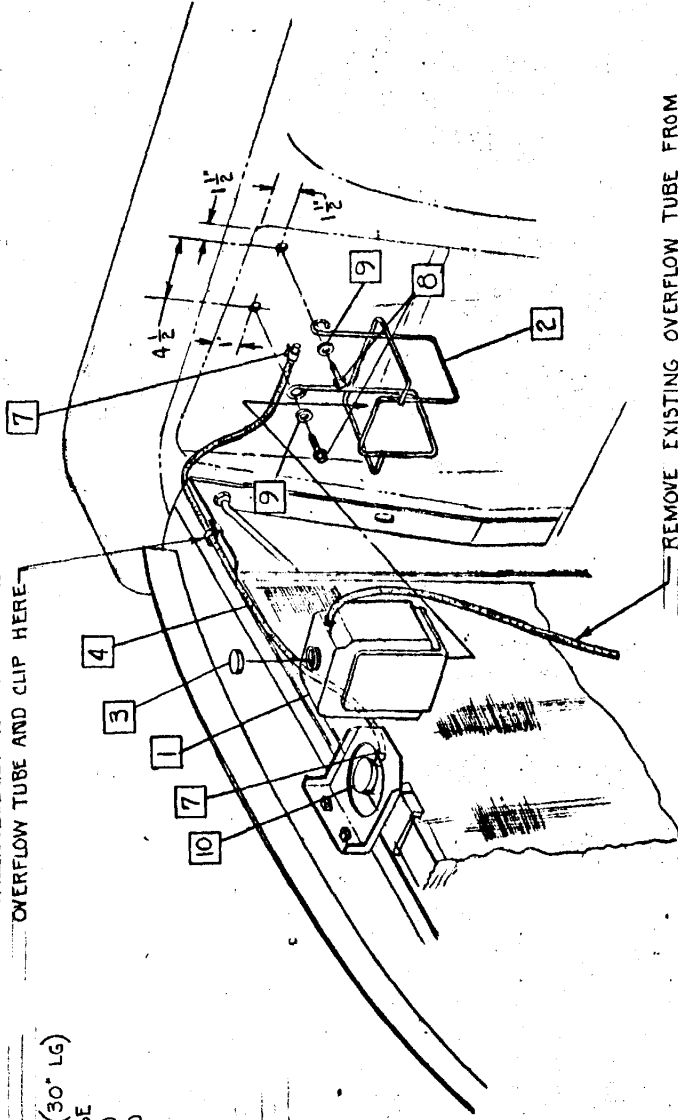
DATE 10-30-73

MODEL: B-12, B-12L, B-11E

ALL PART NOS LISTED ARE PART OF KIT NO. 705183 COOLENT RECOVERY KIT

- 1. 222-1 PLASTIC BOTTLE
- 2. 222-2 WIRE HANGER
- 3. 222-3 BOTTLE CAP
- 4. 222-5 PLASTIC TUBING (30" LG)
- 5. _____ HARDWARE PACKAGE
- 6. _____ SCREW(2) NOT USED
- 7. _____ CLAMP - HOSE (2)
- 8. _____ SCREW (2)
- 9. _____ WASHER (2)
- 10. 222-8 RADIATOR CAP

REMOVE EXISTING CLIP HOLDING OVERFLOW TUBE AND CLIP HERE



IMPORTANT: WHEN FILLING PLASTIC BOTTLE, MIX 50% WATER WITH 50% ETHYLENE GLYCOL.

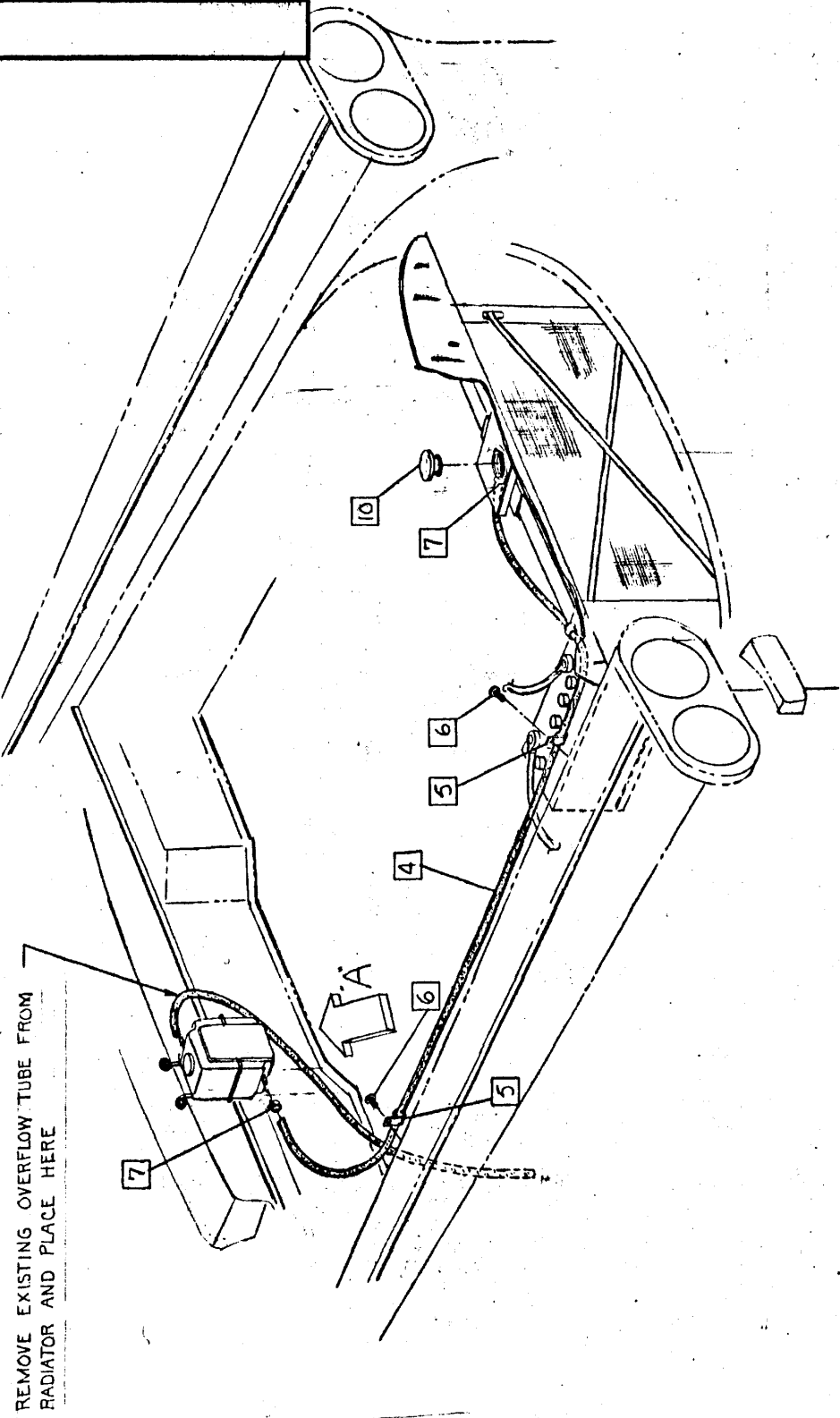
DATE	CHANGES

CHECKER MOTORS CORP. KALAMAZOO, MICH.

MODEL:	B-12	DATE	10-30-73
B-11	B-12E	GRAPHIC ILLUSTRATION	
B-11E	B-12W	COOLING SYSTEM. - RADIATOR OVERFLOW - FRT. MTD. BATTERY.	
		DWN. DESK. SHEET NO. 110B-6	
		CHK. SUPPERSEDES G.I. 110A-6	
		APPVD.	

DATE	CHANGES

IMPORTANT: WHEN FILLING PLASTIC BOTTLE, MIX 50% WATER WITH 50% ETHYLENE-GLYCOL.



REMOVE EXISTING OVERFLOW TUBE FROM RADIATOR AND PLACE HERE

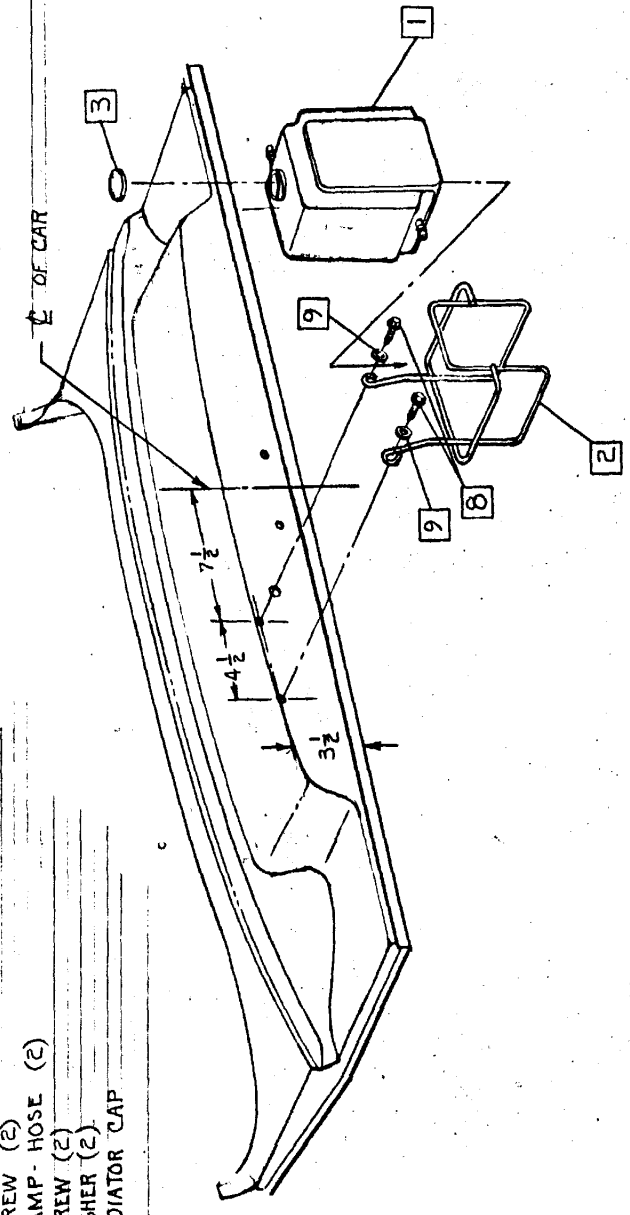
CHECKER MOTORS CORP. KALAMAZOO, MICH.

EFFECTIVE

MODEL: B-12	DATE	10-30-73	DWN. DECKER	SHEET NO. 110 B-7	CHANGES
B-11	B-12E	B-12WB	CHK.		
B-11E	B-12W				
GRAPHIC ILLUSTRATION			APPVD.		
COOLING SYSTEM - RADIATOR OVERFLOW - FR. MTC. BATTERY			DATE		

ALL PART NO. LISTED ARE PART OF KIT NO. 705183 COOLANT RECOVERY KIT.

- 1. 222-1 PLASTIC BOTTLE
- 2. 222-2 WIRE HANGER
- 3. 222-3 BOTTLE CAP
- 4. 222-5 PLASTIC TUBING (55" LG.)
- 5. HARDWARE PACKAGE
- 6. CLIP (2)
- 7. SCREW (2)
- 8. CLAMP - HOSE (2)
- 9. SCREW (2)
- 10. WASHER (2)
- 11. 222-8 RADIATOR CAP



VIEW IN DIRECTION OF ARROW "A"