

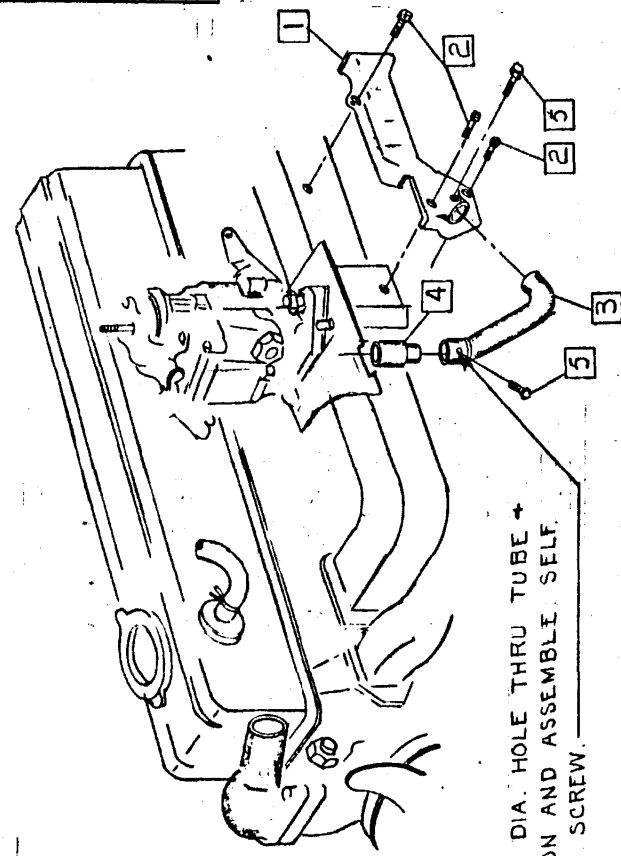
CHECKER MOTORS CORP., KALAMAZOO, MICH.

EFFECTIVE MODEL YEAR 1974

MODEL: B-11	B-11E	DATE		DWN. DEPT.		
B-12	B-12E	9-17-73		CHK.		SHEET NO. 94 B -1
B-12 W				APPVD.	SUPERSEDES G.I. 94 A-1	

DATE	CHANGES

1. 706244 COVER - CARB. AIR HEAT STOVE
2. 9427617 SCREW # 8 x 3/8 RD. HD. (3)
3. 704493 TUBE - CARB. AIR HEAT STOVE
4. 706072 EXTENSION - CARB. AIR HEAT STOVE
5. 163158 SCREW # 8 x 3/8 (2)



DRILL 1/8 DIA. HOLE THRU TUBE +  
EXTENSION AND ASSEMBLE SELF-  
TAPPING SCREW.

CHECKER MOTORS CORP. KALAMAZOO, MICH.

EFFECTIVE MODEL YEAR 1974

MODEL: B-11	B-11E	DATE	9-17-73
B-12	B-12E	B-12WB	
B-12W			
DWN. DECKER		SHEET NO.	94 B -2
CHK.		SUPERSEDES	G.I. 94 A-2
APPVD.		DATE	CHANGES

GRAPHIC ILLUSTRATION

CARBURETOR AIR HEAT STOVE 8 - CYL.

- 1. 706124 COVER - CARB. AIR HEAT STOVE
- 2. 704536 PLATE - CARB. AIR HEAT STOVE
- 3. 273802 NUT  $\frac{5}{16}$  - 18. SERR. HEX.
- 4. 120393 WASHER  $\frac{1}{32}$  ID. x  $\frac{1}{16}$  OD.
- 5. 703418 TUBE ASSEM.
- 6. 163158 SCREW  $\frac{3}{8}$  x  $\frac{3}{8}$  PAN. (6)

TO AIR CLEANER  
SEE G.I.

