

CHECKER MOTORS CORP. KALAMAZOO, MICH.

EFFECTIVE MODEL YEAR 1974

SHEET NO. 360 B-2

DWN. _____
CHK. _____

APPVD. SUBJECT DES. GL. 360 A-4 PER FIELD 357

GRAPHIC ILLUSTRATION

STARTING MOTOR - MOUNTING & CYL. HYDRA-MATIC

DATE

6-8-73

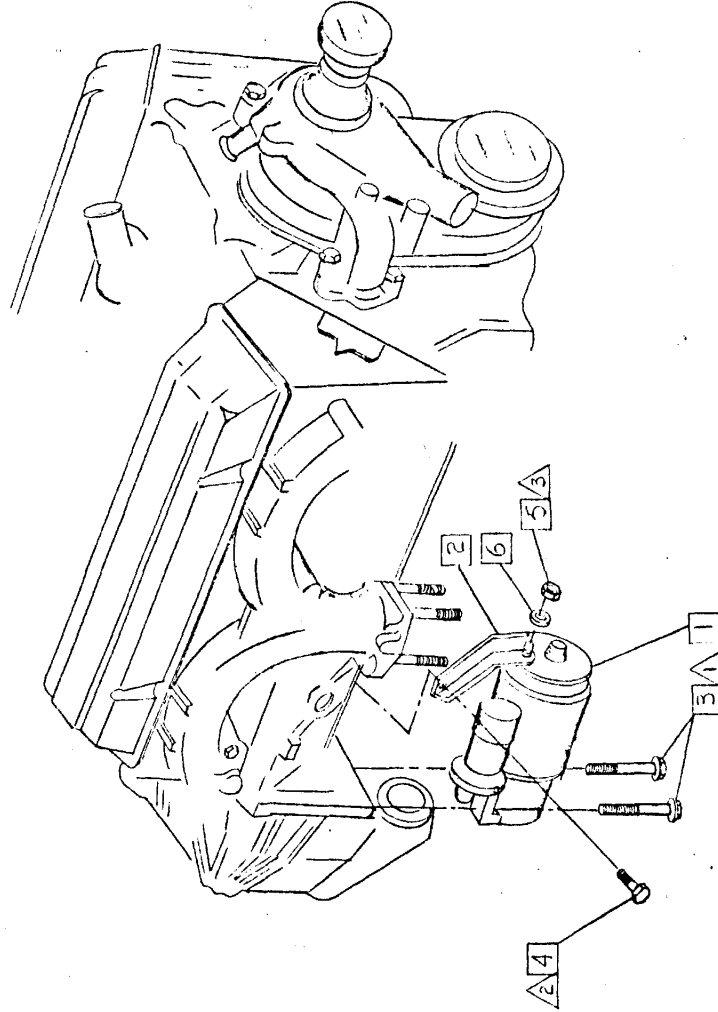
MODEL: B-12

B-12E

B-12W

B-12WS

1. 705223 MOTOR ASM. - STARTING & CYL.
2. 706254 BRACE - STARTING MOTOR.
3. 702202 BOLT $\frac{3}{8}$ - $1\frac{1}{2}$ x 4 $\frac{3}{32}$ HEX. W/HD.
4. 273867 SCREW $\frac{3}{16}$ x 1.8 x $\frac{1}{2}$ HEX. SERR. W/HD.
5. 98446 NUT $\frac{1}{4}$ - 20 HEX.
6. 120392 WASHER $\frac{3}{32}$ ID. x $\frac{3}{8}$ O.D.



- △ 1 30 - 40 LBS. FT. TORQUE
- △ 2 15 - 20 LBS. FT. TORQUE
- △ 3 5 - 6 LBS. FT. TORQUE

DATE	CHANGES