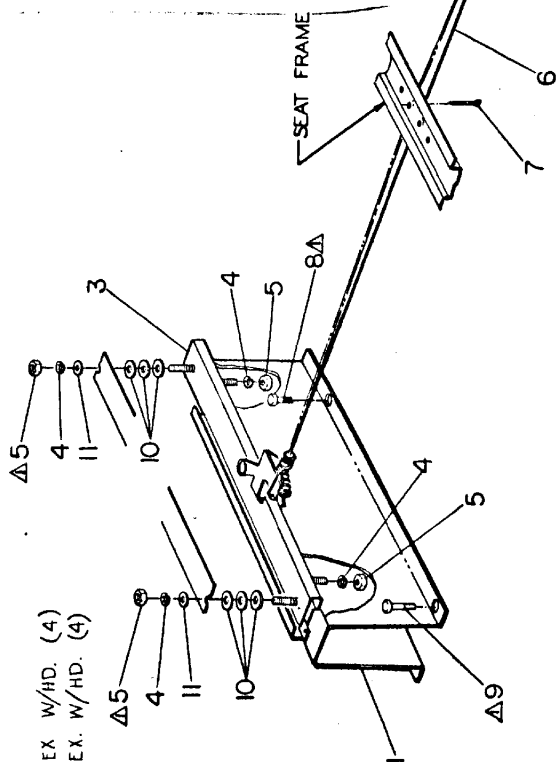


CHECKER MOTORS CORP. KALAMAZOO, MICH.

MODEL:	A-12	DATE	10-17-73
A-11	A-12W6	GRAPHIC ILLUSTRATION	
A-11E	A-12W	SEAT SUPPORTS + ADJUSTERS - FRONT	
		DWN. DEKKER	SHEET NO. 315 B-1
		CHK.	

- 647631 SUPPORT + ADJUSTER ASM - MANUAL SEAT LH.
- 647632 SUPPORT + ADJUSTER ASM - MANUAL SEAT RH.
- 1. 646393 SUPPORT - MANUAL SEAT ADJ. (2)
- 2. 647643 ADJUSTER ASM. - SEAT LH.
- 3. 647644 ADJUSTER ASM. - SEAT RH.
- 4. 120214 L.W. $\frac{3}{16}$ MED. SPRING (8)
- 5. 120368 NUT $\frac{7}{16}$ - 24 - HEX. (8)
- 6. 647681 WIRE - MAN. SEAT ADJ. CONN.
- 7. 137185 COTTER PIN $\frac{1}{8}$ x 1
- 8. 191677 SCREW + L.W. ASM. - $\frac{7}{16}$ - 18 x $\frac{3}{4}$ HEX W/HD. (4)
- 9. 626479 SCREW + L.W. ASM. - $\frac{5}{16}$ - 18 x $1\frac{1}{2}$ HEX. W/HD. (4)
- 10. 446477 WASHER $\frac{1}{16}$ ID x $1\frac{3}{8}$ OD. (12)
- 11. 120393 WASHER $\frac{1}{32}$ ID x $\frac{1}{16}$ OD. (4)



DATE	2-1-74
CHANGES	14-15 Ft. Lbs. Torque W/12

Δ 14 - 15 FT. LBS. TORQUE