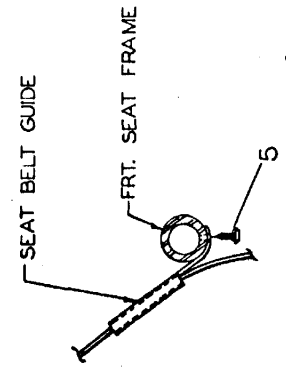
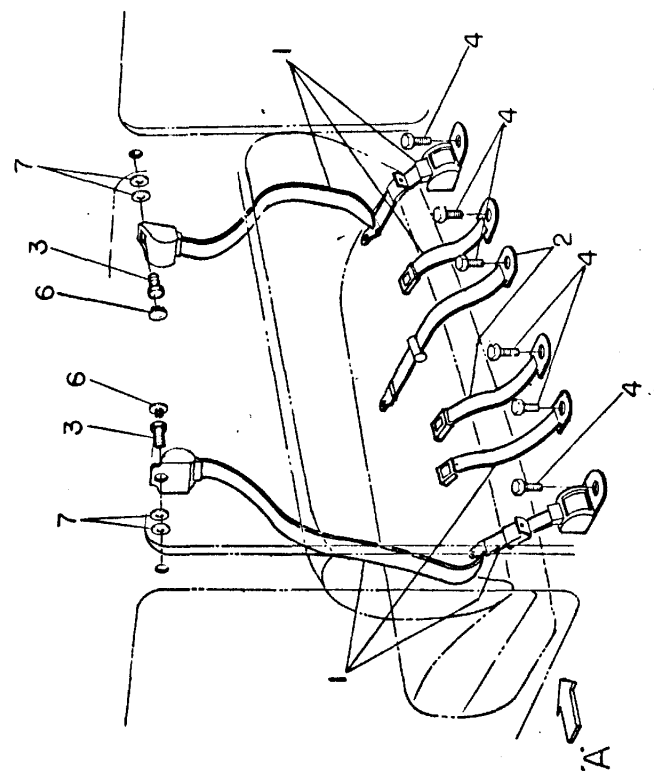


CHECKER MOTORS CORP. KALAMAZOO, MICH.

MODEL:	A-12	DATE	10-18-73	SHEET NO.	3/4 B-1
A-11	A-12E				
A-11E	A-12W				
GRAPHIC ILLUSTRATION		DWN.	Decker		
SEAT BELTS - FRT.		CHK.			

DATE	CHANGES
10-24-73	120396 ADDED
1-11-74	646716 Wks 644300

- 1. HARNESS ASM. - FRT. SEAT (2)
- 2. BELT ASM. - SEAT
- 3. BOLT - SEAT BELT ANCHOR - SHORT (2)
- 4. BOLT - SEAT BELT ANCHOR - LONG (6)
- 5. SCREW * LW. ASM. #8 * 3/4 (2)
- 6. PLUG - RETRACTOR COVER (2)
- 7. WASHER 17/32 I.D. * 1 1/16 OD. (4)



VIEW IN DIRECTION OF ARROW A

CHECKER MOTORS CORP. KALAMAZOO, MICH.

MODEL: A-12
A-11E
A-11E

DATE
10-19-73

GRAPHIC ILLUSTRATION
SEAT BELTS - REAR SEAT STD.

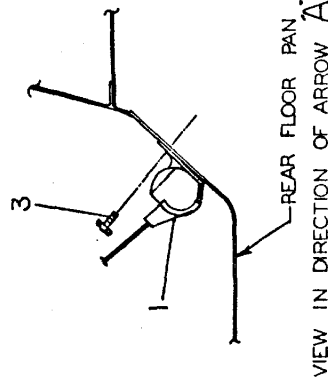
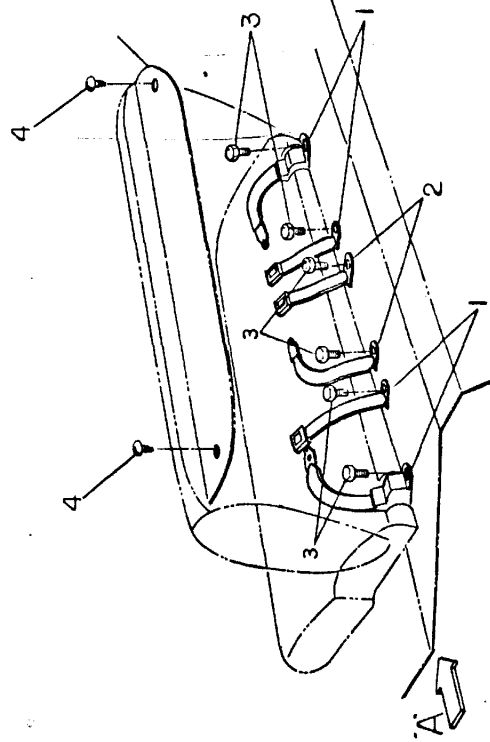
DWN. DEKKER
CHK.

SHEET NO 314 B-2

- 1. 651644 BELT + RETRACTOR ASM. - REAR SEAT (2)
- 2. 651647 BELT ASM. - REAR SEAT
- 3. 644301 BOLT - SEAT BELT ANCHOR SHORT (6)
- 4. 638187 PLUG - SEAT BELT ANCHOR (2)

DATE

CHANGES

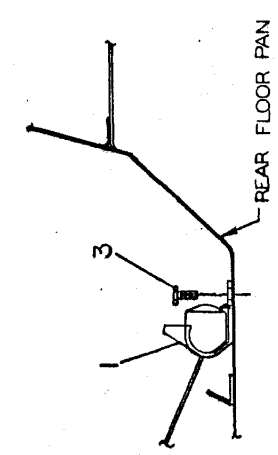
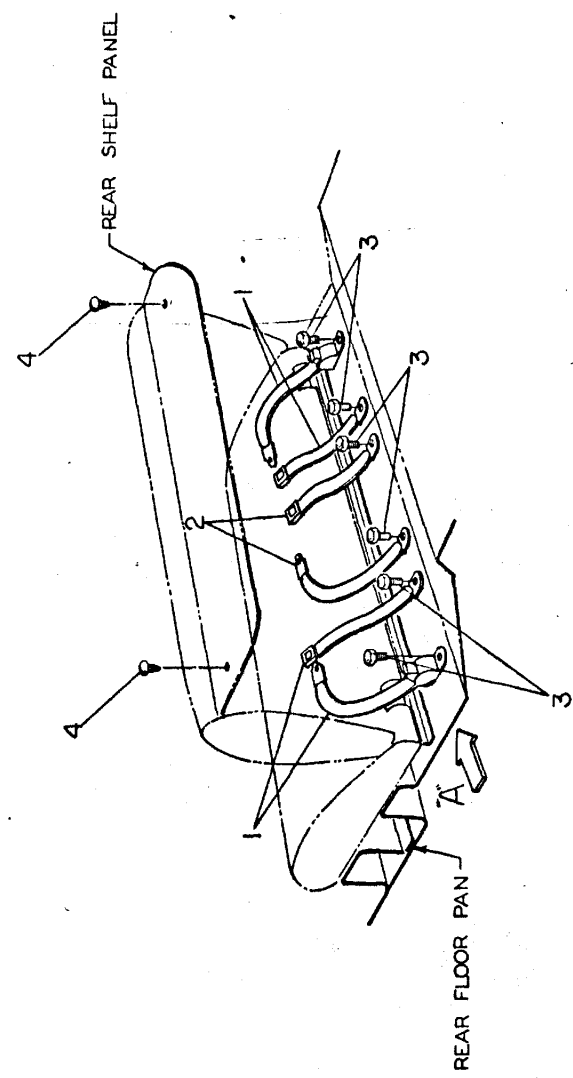


CHECKER MOTORS CORP. KALAMAZOO, MICH.

MODEL:	A-12	DATE		DWN. DENKER	SHEET NO.	314 B-3
A-11	A-12E	10-21-78		CHK.		
A-11E						

GRAPHIC ILLUSTRATION		DATE	CHANGES
SEAT BELTS - REAR SEAT FORWARD			

- 1. 651645 BELT + RETRACTOR ASM. - REAR SEAT FWD. (2)
- 2. 651646 BELT ASM. - SEAT
- 3. 644301 BOLT - SEAT BELT ANCHOR (6)
- 4. 638167 PLUG - SEAT BELT ANCHOR (2)



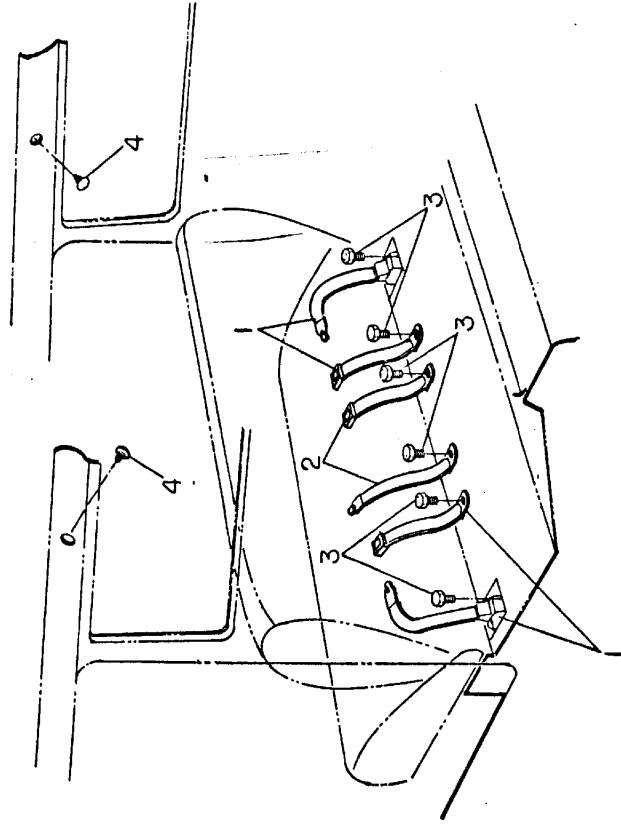
VIEW IN DIRECTION OF ARROW A

CHECKER MOTORS CORP. KALAMAZOO, MICH.

MODEL: A-12W	DATE 10-21-73	DWN. <input type="checkbox"/> DESK	SHEET NO. 314 B-4
		CHK.	

- 1. 651147 BELT * RETRACTOR ASM. - STATION WAGON REAR SEAT (2)
- 2. 651646 BELT ASM. - REAR SEAT
- 3. 644301 BOLT - SEAT BELT ANCHOR SHORT (6)
- 4. 638187 PLUG - SEAT BELT ANCHOR (2)

DATE	CHANGES



CHECKER MOTORS CORP. KALAMAZOO, MICH.

EFFECTIVE MODEL YEAR 1974

MODEL:
A-11
A-11E
A-12
A-12E
A-12W

DATE
7-18-73

GRAPHIC ILLUSTRATION

SEAT BELTS - INTERLOCK WIRING

DWN. CHECKER
CHK.

SHEET NO. 314 B-5

APPVD. SUPPLIES G.I. 314 A-3 PER MEMO #232

DATE

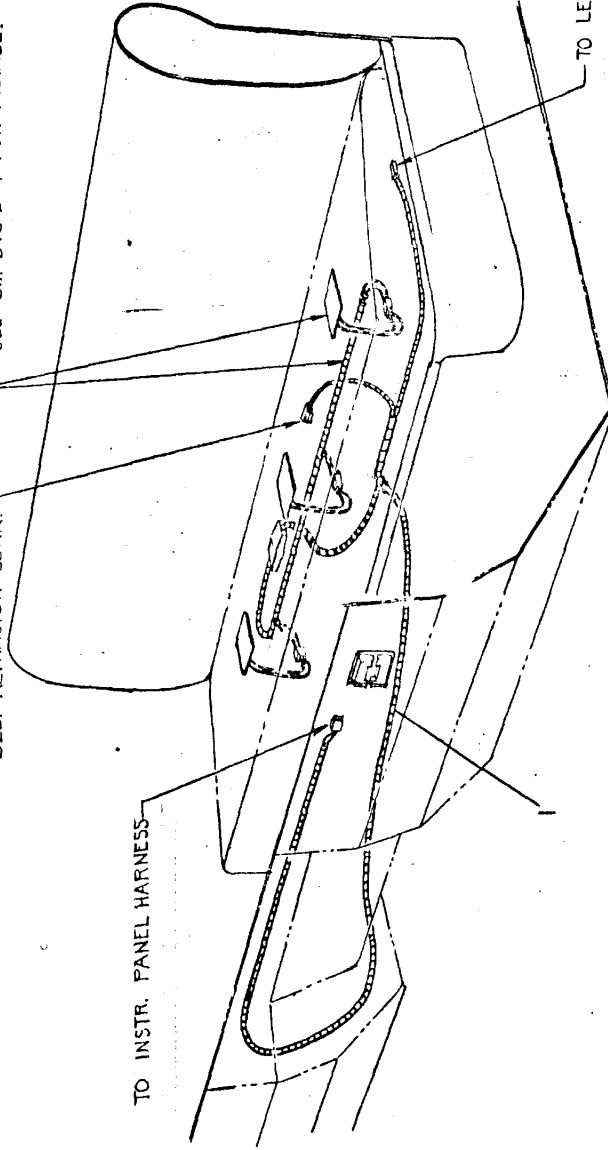
CHANGES

TO RIGHT - CENTER SEAT
BELT RETRACTOR CONN.

SEAT SENSOR + HARNESS
SEE G.I. 310 B-4 FOR INSTALL.

TO INSTR. PANEL HARNESS

TO LEFT SEAT BELT RETRACTOR CONN.



CHECKER MOTORS CORP. KALAMAZOO, MICH.

EFFECTIVE MODEL YEAR 1974

MODEL:

A-11
A-12E
A-12W

DATE

7-18-74

GRAPHIC ILLUSTRATION

SEAT BELTS - INTERLOCK WARNINGS

DWN.
CHK.

SHEET NO. 314 B-6

APPVD. SUPERSEDES GM 314A-9 PER MEMO #322

1. 651731 HARNESS ASM. - I.P. TO MODULE

DATE

CHANGES

