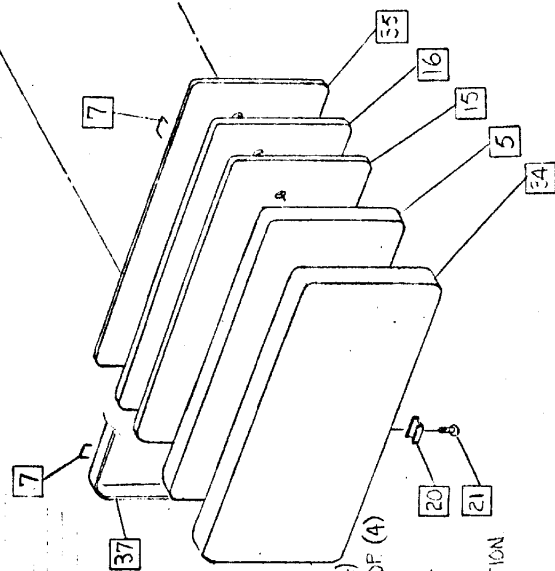
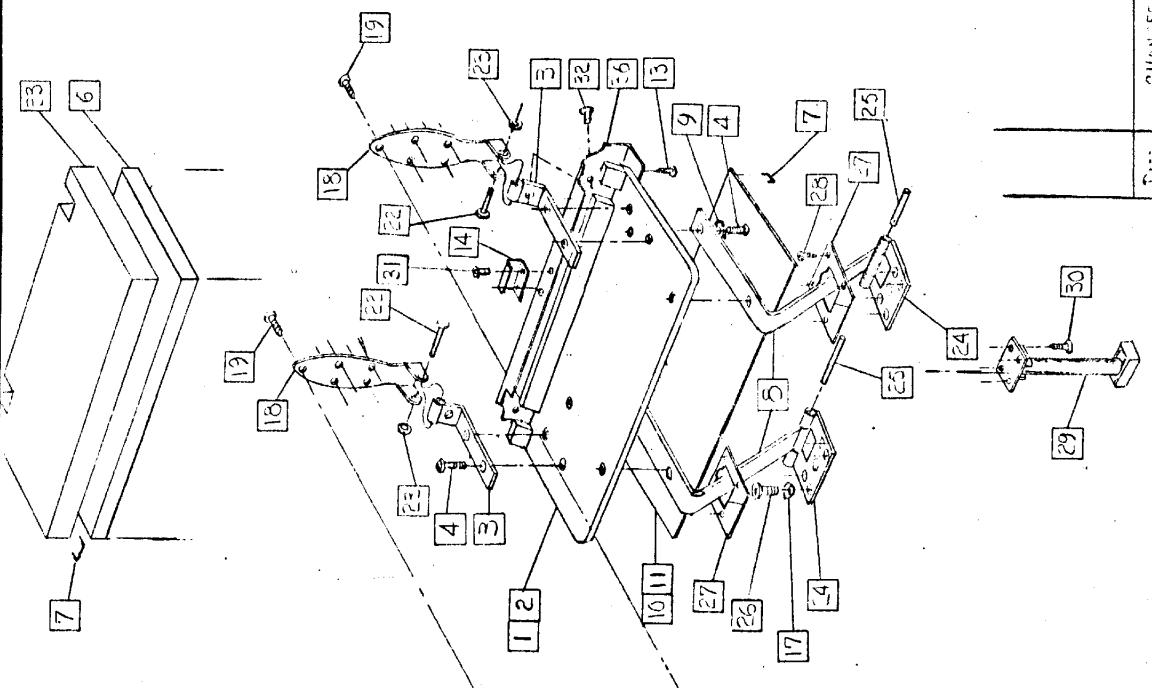


CHECKER MOTORS CORP. KALAMAZOO, MICH.

STREET VIEW MODEL YEAR 1974

MODEL:	A-11E	A-12E	DATE	6-14-73	GRAPHIC ILLUSTRATION	SHEET NO. 510 B-1
					SEATS - EXPORT AUXILIARY	
					APPVD.	
					CHK.	
					DWN.	

1. PANEL ASM. - EXPORT AUX. CUSHION LH.
2. PANEL ASM. - EXPORT AUX. CUSHION RH.
3. SUPPORT ASM. - EXPORT AUX SEAT BACK (4)
4. SCREW 1/4-20 x 1 1/2 FL. HD. ST. MACH. (16)
5. PAD - EXPORT AUX. SEAT BACK (2)
6. PAD - EXP. AUX. ST. CUSH. (2) 16 x 25 1/2 CUSH.
7. STAPLE - 50 GA. (65) EACH COVER-CUSH., 60 EACH COVER - BACK
8. LEG ASM. - EXP. AUX. SEAT (4)
9. L.W. 1/4 C/SINK EXT. TOOTH (8)
10. CARPET ASM. - EXP. AUX. SEAT CUSH. LH.
11. CARPET ASM. - EXP. AUX. SEAT CUSH. RH.
- 12.
13. SCREW + WASHER ASM. * 3 x 3/4 (8)
14. HANDLE - EXP. AUX. SEAT (2)
15. PANEL - EXP. AUX. SEAT BACK (2)
16. PAD - EXP. AUX. SEAT BACK
17. L.W. 3/8 C/SINK 16
18. HINGE - AUX. SEAT (4)
19. SCREW * 8 x 3/4 (20)
20. CLIP - (2)
21. SCREW * 8 x 7/8 (2)
22. PIN (4)
23. RING (4)
24. HINGE - AUX SEAT (4)
25. PIN (4)
26. SCREW 3/8 24 x 3/4 (16)
27. SHIELD (4)
28. SCREW * 8 x 1/2 (16)
29. LEG - BRKT. ASM. (2)
30. SCREW * 10 x 1 (8)
31. RIVET 3/16 DIA. BS. FOF (4)
32. RIVET 1/8 DIA. BS. LF. FOF (4)
33. COVER - AUX. SEAT CUSH. FOR PART
34. COVER - AUX. SEAT BACK NO. SEE
35. PANEL - AUX. SEAT BACK B/M, SECTION
36. PANEL - AUX. SEAT CUSH. 621
37. WELT



CLIP ON - FS

CHECKER MOTORS CORP. KALAMAZOO, MICH.

EFFECTIVE MODEL YEAR 1974

SHEET NO. 310 B-2

DWN. 10-59
CHK. 2-7-73

GRAPHIC ILLUSTRATION

SEATS - AUXILIARY ROUND

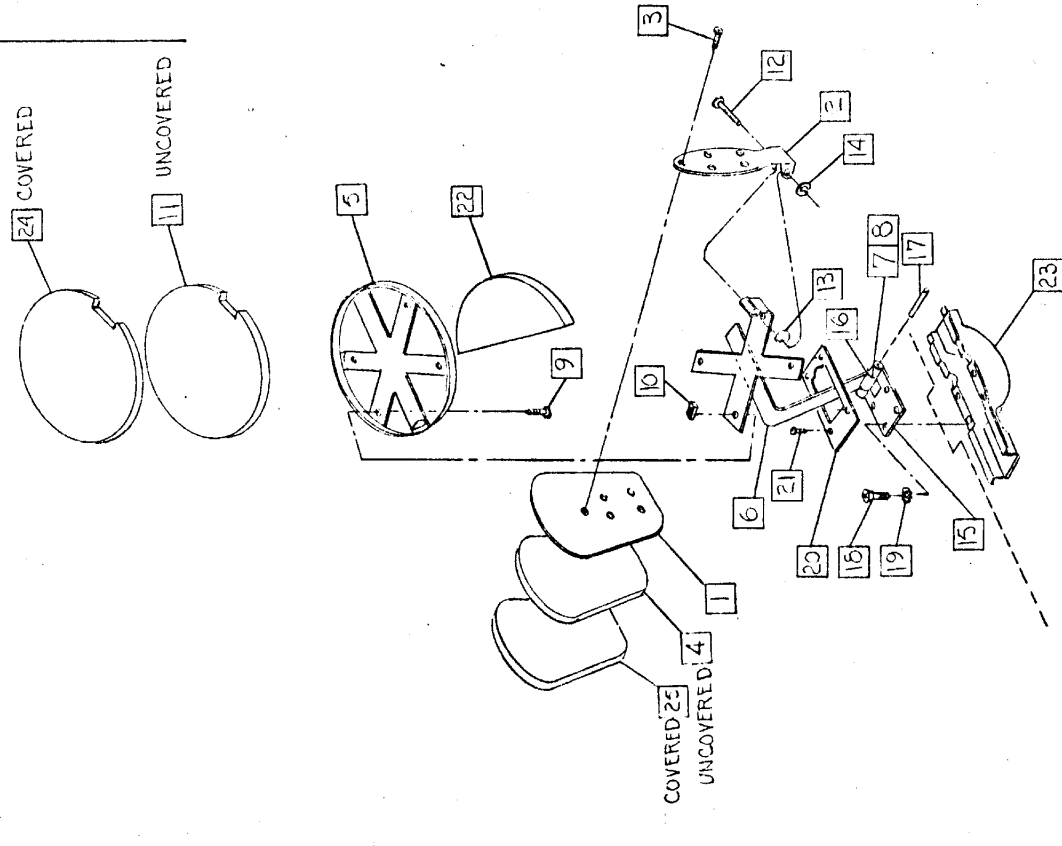
APPVD. SUPERSEDES G.I. 310 A-2

CHANGES

MODEL: A-11 A-12 DATE 6-14-73

- 1. 631711 BACK - NUT ASM. - AUX. SEAT (2)
- 2. 630433 HINGE - AUX. SEAT BACK (2)
- 3. 156947 SCREW #10-24 x 5/16 (101)
- 4. 646545 PAD - AUX. SEAT BACK (2)
- 5. 630823 PANEL - AUX. SEAT CUSH. (2)
- 6. 643832 LEG - SUPPORT ASM. - AUX. SEAT
- 7. 630434 HINGE - AUX. SEAT LEG (2)
- 8. 626320 RIVET (4)
- 9. 189129 SCREW 1/4-20 x 5/8 (8)
- 10. 626266 NUT 1/4-20 OHIO WELD (8)
- 11. 646546 PAD - AUX. SEAT CUSH. (2)
- 12. 630437 PIN - AUX. SEAT (2)
- 13. 626483 SPRING WASHER (2)
- 14. 626305 RING - RETAINING (2)
- 15. 630435 HINGE - AUX. SEAT (2)
- 16. 626454 SPRING WASHER (4)
- 17. 424501 PIN (2)
- 18. 626914 SCREW 3/8-24 x 3/4 (8)
- 19. 138617 L.W. 3/8 C/SINK (8)
- 20. 634475 SHIELD - AUX. SEAT (2)
- 21. 626611 SCREW #8 x 1/2 (8)
- 22. 647556 PAD ASM. - AUX. SEAT (2) OPTIONAL - GRAY
- ~ 647557 PAD ASM. - AUX. SEAT (2) OPTIONAL - RED

24 CUSHION ASM. - AUX SEAT - COVERED } FOR PART NO. SEE
25 PAD ASM. - AUX SEAT - COVERED } B/M, SECTION 606

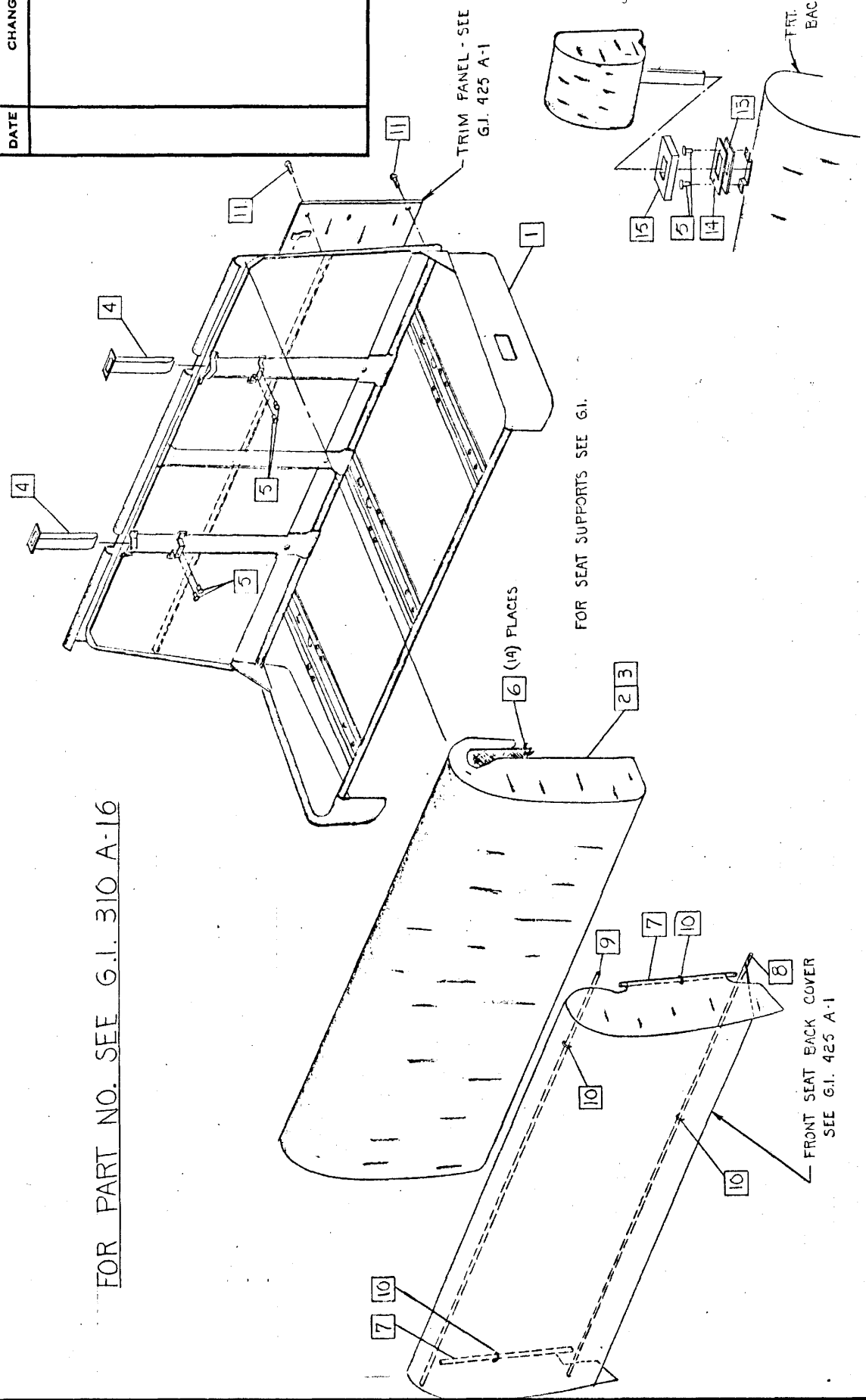


CHECKER MOTORS CORP. KALAMAZOO, MICH. EFFECTIVE MODEL YEAR 1974

MODEL: A-11 A-11E	A-11 A-12E A-12W	A-12W6	DATE 6-5-73	GRAPHIC ILLUSTRATION SEAT ASM. - FRT. EACH 4 FRAME	DWN. CHK. APPVD.	SHEET NO. 310 B-3 SUPERSEDES G.I. 310 A-15 PER MEMO # 332
-------------------------	------------------------	--------	----------------	---	------------------------	--

DATE	CHANGES

FOR PART NO. SEE G.I. 310 A-16



FOR SEAT SUPPORTS SEE G.I.

FRONT SEAT BACK COVER
SEE G.I. 425 A-1

TRIM PANEL - SEE
G.I. 425 A-1

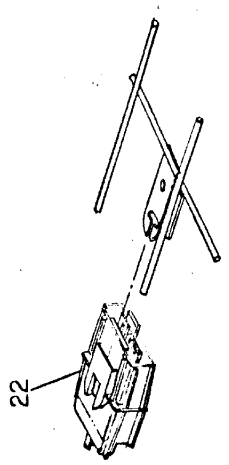
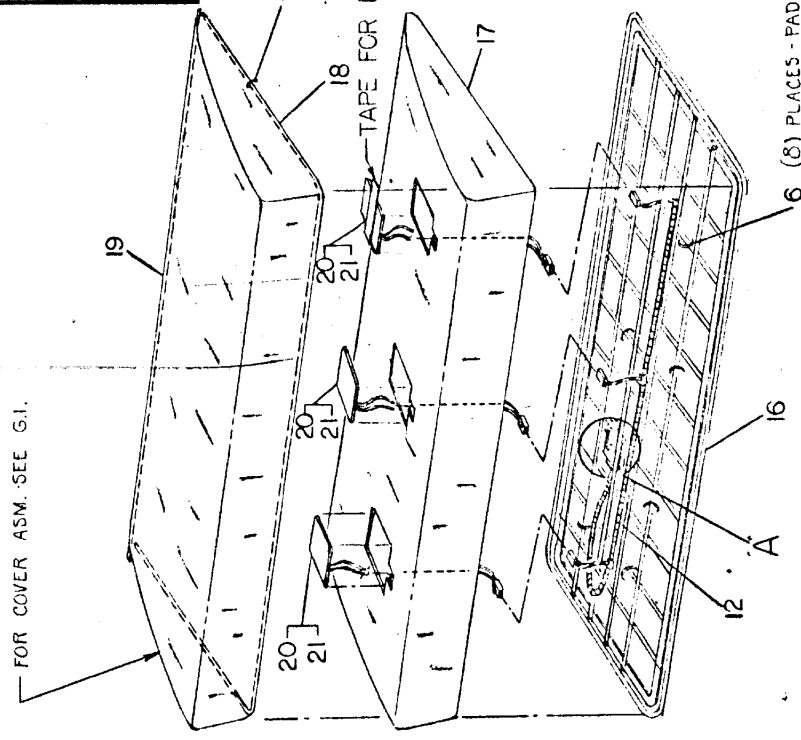
FRT. SEAT
BACK

CHECKER MOTORS CORP. KALAMAZOO, MICH.

EFFECTIVE MODEL YEAR 1974

MODEL:	A-12	DATE	6-5-73
A-11	A-12W5	GRAPHIC ILLUSTRATION	
A-11E	A-12W	SEAT ASM. - FRT. CUSHION & BACK	
		APPVD.	
		SHEET NO. 310 B-4	
		DATE	5-10-73
		CHANGES	MA-109 TYPE ADDED 644518 WAS 644639

NO.	DESCRIPTION	QTY
1.	FRAME ASM. - FRT. SEAT WELDED	
2.	PAD ASM. - FRT. SEAT BACK MOLDED	
3.	PAD ASM. - FRT. SEAT BACK LIFEGUARD	
4.	CASING ASM. - FRT. ST. HEAD RESTRAINT (2)	
5.	RIVET 3/16 BS POP (8)	
6.	HOG RING (67)	
7.	WIRE 12" LG. (2)	
8.	WIRE 54 1/2" LG.	
9.	WIRE 50" LG.	
10.	HOG RING (78)	
11.	SCREW + WASHER ASM. * 8 x 3/4 (7)	
12.	WIRING ASM. - FRT. SEAT	
13.	GUIDE - FRT. ST. HEAD REST. (2)	
14.	PLATE - FRT. ST. HEAD REST. (2)	
15.	COVER - FRT. ST. HEAD. REST. (2)	
16.	FRAME ASM. - FRT. SEAT CUSH. PAD	
17.	PAD ASM. - FRT. SEAT CUSHION MOLDED	
18.	WIRE 56 1/2" LG.	
19.	WIRE 54 1/2" LG.	
20.	SWITCH ASM. - SEAT SENSOR (A-11, A-11E, A-12, A-12W, A-12WB)	
21.	FILLER - FRT. * CENTER SEAT CUSHION (A-12WB ONLY)	
22.	MODULE ASM. - ST. BELT INTERLOCK	
23.	MA-109 TAPE	



VIEW IN CIRCLE A

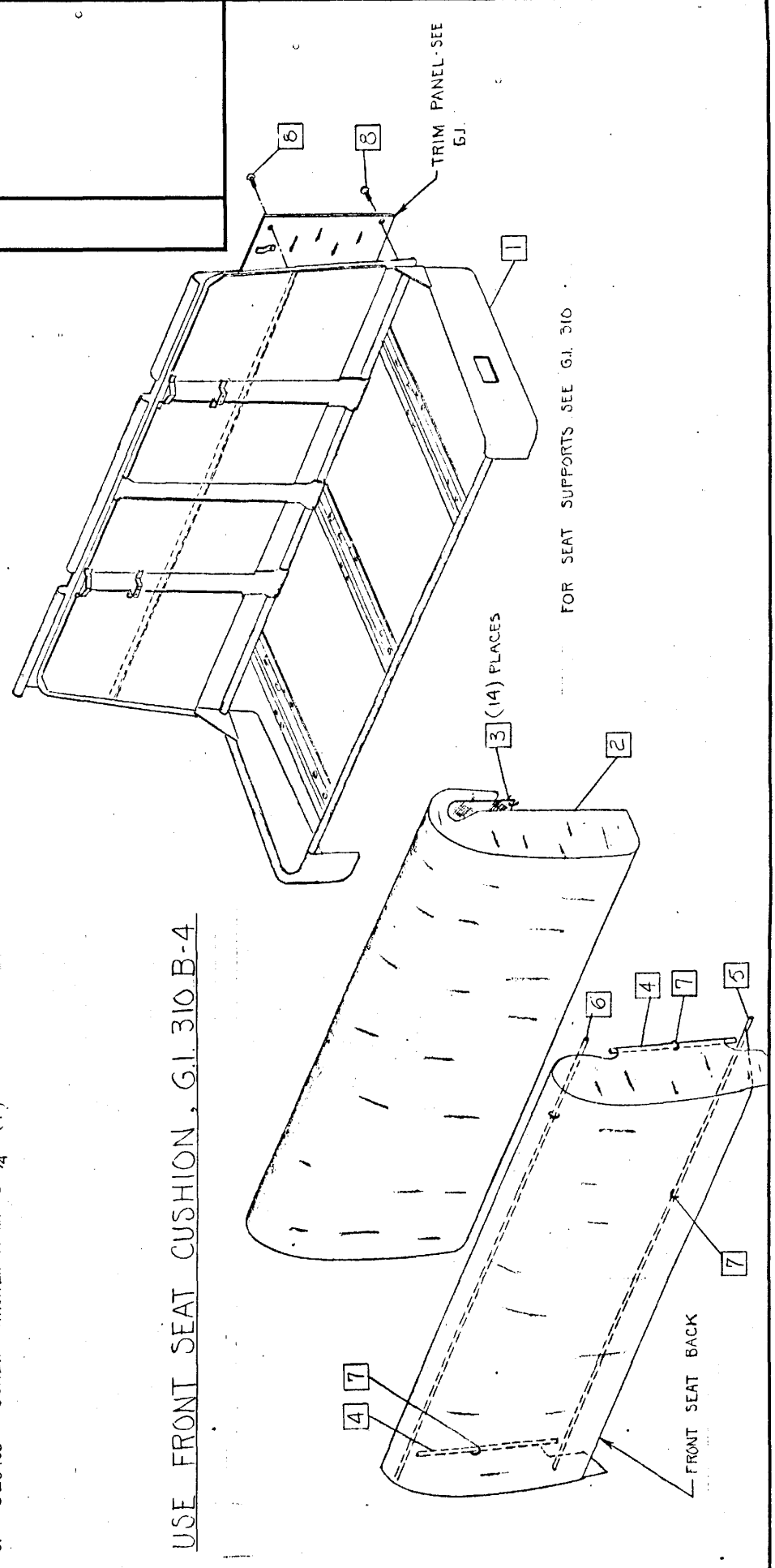
MODEL: A-12W8
 DATE: 6-14-73
 SHEET NO. 310 B-5
 SUPPLIES G.I. 310 A-17
 APPVD.

GRAPHIC ILLUSTRATION
 SEAT ASM. - CENTER

DATE	CHANGES

1. 647746 FRAME ASM. - FRT. SEAT. WELDED
2. 647743 PAD ASM. - FRT. SEAT BACK MOLDED
3. 626072 HOG RING (14)
4. 634404 WIRE 12" LG. (2)
5. 634403 WIRE 54 1/2" LG.
6. 636505 WIRE 50" LG.
7. 626124 HOG RING (78)
8. 626456 SCREW + WASHER ASM. * 8 x 3/4 (7)

USE FRONT SEAT CUSHION, G.I. 310 B-4



FOR SEAT SUPPORTS SEE G.I. 310

TRIM PANEL - SEE 6J.

FRONT SEAT BACK

CHECKER MOTORS CORP. KALAMAZOO, MICH.

EFFECTIVE MODEL YEAR 1974

SHEET NO. 310B-6

DWN. []
CHK. []
APPVD. []
SUPERSEDES GL 310A-15

GRAPHIC ILLUSTRATION
SEAT ASM. - REAR - STD.

DATE 6-14-73

MODEL: A-12
A-12E
A-11E

DATE	CHANGES

- 1. 647839 FRAME ASM. - REAR SEAT BACK
- 2. 647744 PAD ASM. - REAR SEAT BACK - MOLDED
- 3. 626072 HOG RING (63)
- 4. 634403 WIRE 54 1/2" LG.
- 5. 636505 WIRE 50" LG.
- 6. 630592 WIRE 18" LG. (2)
- 7. 161901 SCREW #10 x 3/8 PHCR. (2)
- 8. 174916 L.W. 1/4 INT. EXT. TOOTH (2)
- 9. 120375 NUT 1/4-20 HEX. (2)
- 10. 626549 WIRE 61 1/2" LG.
- 11. 634404 WIRE 12" LG. (2)
- 12. 636505 WIRE 50" LG.
- 13. 647870 FRAME ASM. - REAR SEAT CUSHION
- 14. 647761 PAD ASM. - REAR SEAT CUSHION
- 15. 626072 HOG RING (53)

