

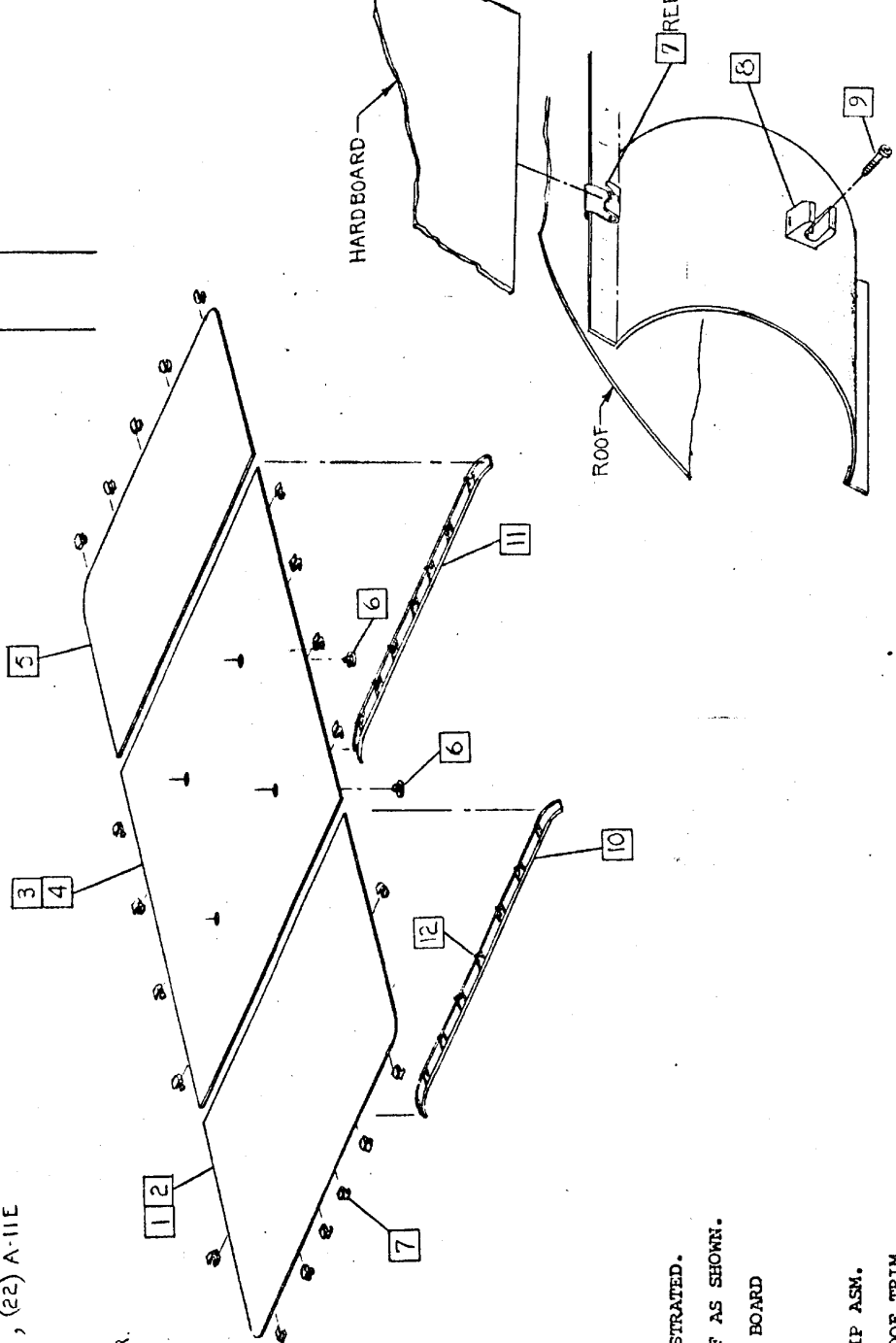
CHECKER MOTORS CORP. KALAMAZOO, MICH.

EFFECTIVE MODEL YEAR 1974

MODEL: A-II A-III	DATE	6-14-73
	GRAPHIC ILLUSTRATION	ROOF TRIM - PANELED
DWN. DESK	CHK. DESK	APPVD.
		SUPERSEDES G.I. 290A-1
	DATE	CHANGES

SHEET NO. 290 B-1

1. 644387 PANEL - ROOF TRIM - FRT. (A-II)
2. 644476 PANEL - ROOF TRIM - FRT. (A-III)
3. 634281 PANEL - ROOF TRIM - CENTER (A-II)
4. 642092 PANEL - ROOF TRIM - CENTER (A-III)
5. 644394 PANEL - ROOF TRIM - REAR
6. 626628 CLIP ASM. - TRIM. (4)
7. 626273 CLIP - ROOF TRIM. (20) A-II, (22) A-III
8. 644153 CLIP - SUN VISOR (2)
9. 626612 SCREW # 8 x 5/8 (2)
10. 634065 MOLDING - ROOF TRIM. - FRT.
11. 634066 MOLDING - ROOF TRIM. - REAR.
12. 626427 CLIP - ROOF TRIM (14)



ROOF TRIM PANEL INSTALLATION PROCEDURE

1. FASTEN SUN VISOR CLIPS TO ROOF AS ILLUSTRATED.
2. FASTEN ROOF TRIM RETAINER CLIPS TO ROOF AS SHOWN.
3. INSTALL REAR PANEL FIRST, SLIDING HARD BOARD UNDER CLIPS AS ILLUSTRATED.
4. INSTALL FRONT PANEL IN SIMILAR MANNER.
5. LOCATE CENTER PANEL AND SECURE WITH CLIP ASM.
6. SECURE ALL PANELS WITH FRT. END REAR ROOF TRIM MOLDING - LOCATE CLIPS AS ILLUSTRATED.

CHECKER MOTORS CORP. KALAMAZOO, MICH.

EFFECTIVE MODEL YEAR 1974

SHEET NO. 290 B-2

DWN. DESK  
CHK. 7-2-73

APPVD. SUPERSEDES GI 290 A-2

GRAPHIC ILLUSTRATION

ROOF TRIM - PANELS

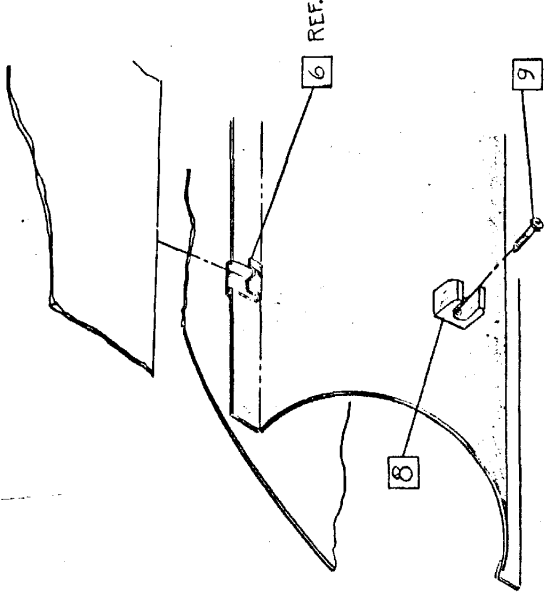
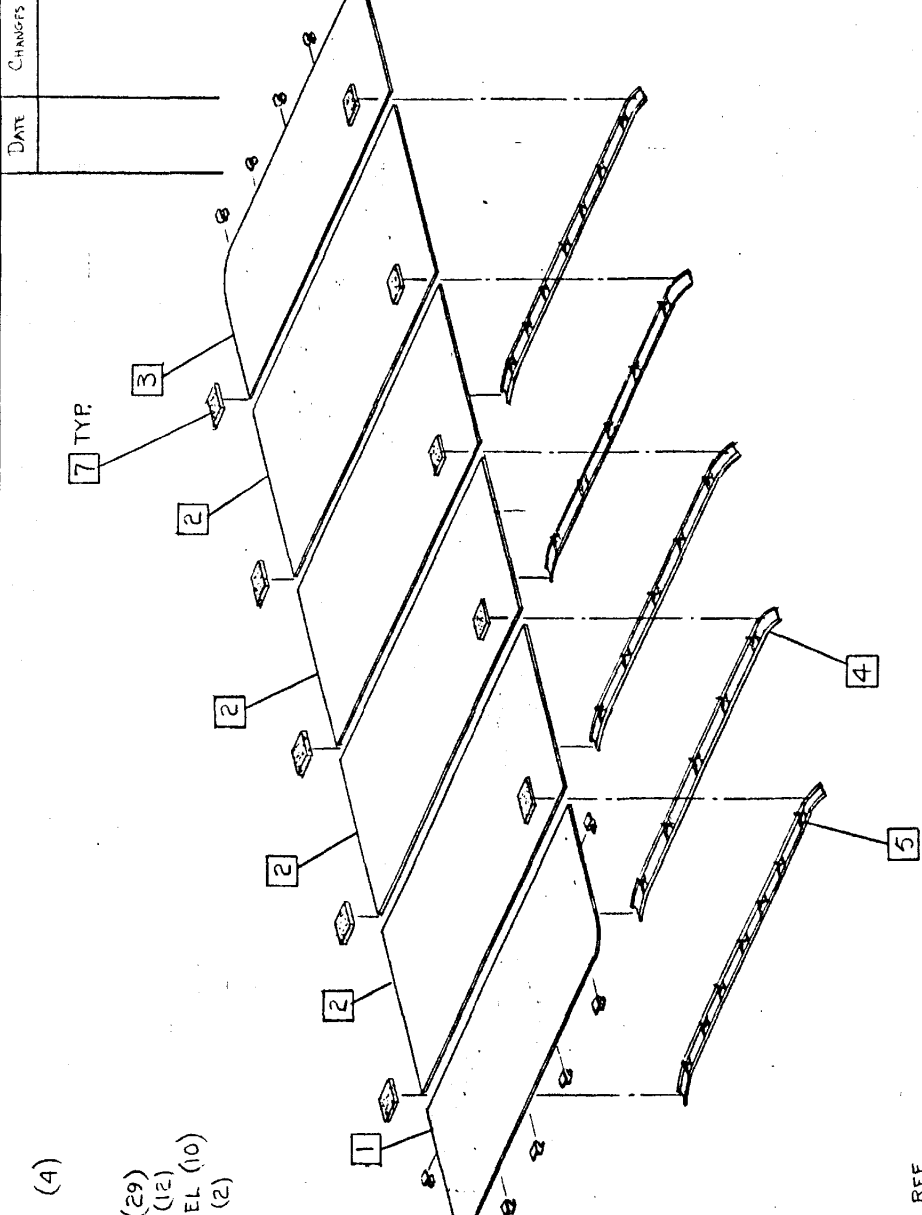
DATE

6-14-73

MODEL:

A-12W

- 1. 644751 PANEL - ROOF TRIM - FRT.
- 2. 636230 PANEL - ROOF TRIM - CENTER (4)
- 3. 636555 PANEL - ROOF TRIM - REAR
- 4. 636232 MOLDING - ROOF TRIM (5)
- 5. 626427 CLIP - ROOF TRIM. MOLDING. (29)
- 6. 626273 CLIP - ROOF TRIM RETAINER (12)
- 7. 636011 SHIM - ROOF \* DOOR TRIM PANEL (10)
- 8. 644153 CLIP - SUN VISOR RETAINING. (2)
- 9. 626612 SCREW \* 8 \* 3/8 (2)



DATE

CHANGES

CHECKER MOTORS CORP. KALAMAZOO, MICH.

EFFECTIVE MODEL YEAR 1974

MODEL: A-12 W8

DATE: 6-14-73

GRAPHIC ILLUSTRATION  
ROOF TRIM - PANEL

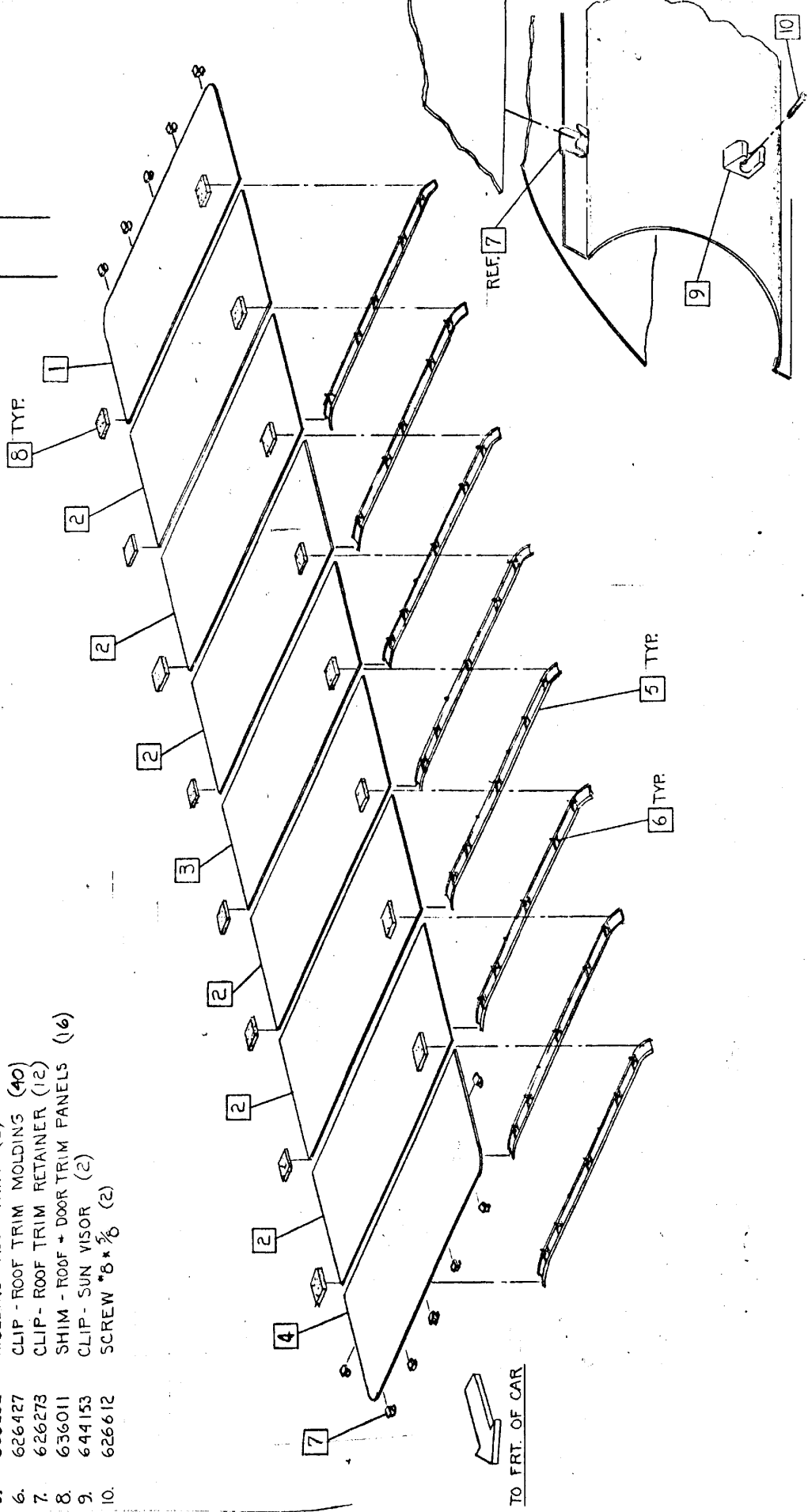
DWN. BY: [Signature]  
CHK. BY: [Signature]

SHEET NO. 290 B-3

APPVD. SUPERIDES G.I. 290A-3

CHANGES

- 1. 644751 PANEL - ROOF TRIM - REAR
- 2. 636230 PANEL - ROOF TRIM - CENTER (6)
- 3. 636699 PANEL - ROOF TRIM - CENTER SPEC.
- 4. 636555 PANEL - ROOF TRIM - FRT.
- 5. 636232 MOLDING - ROOF TRIM (8)
- 6. 626427 CLIP - ROOF TRIM MOLDING (40)
- 7. 626273 CLIP - ROOF TRIM RETAINER (12)
- 8. 636011 SHIM - ROOF + DOOR TRIM PANELS (16)
- 9. 644153 CLIP - SUN VISOR (2)
- 10. 626612 SCREW \*8 x  $\frac{5}{8}$  (2)

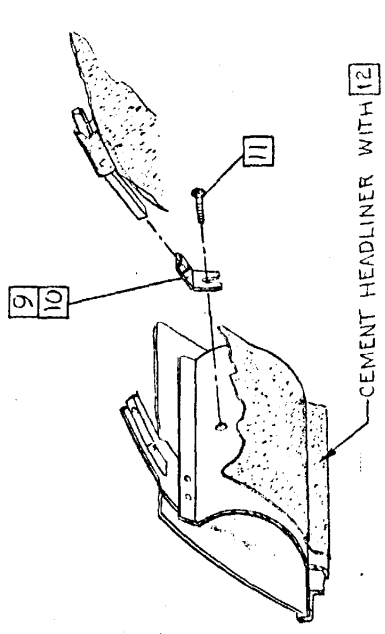
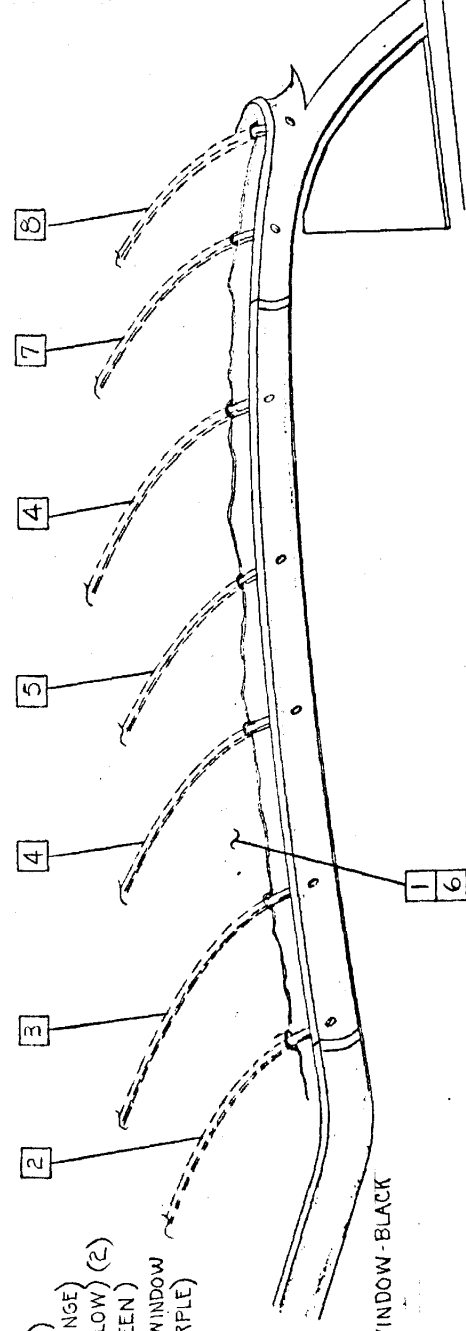


CHECKER MOTORS CORP. KALAMAZOO, MICH.

EFFECTIVE MODEL YEAR 1974

MODEL: A-12	DATE: 6-14-73	GRAPHIC ILLUSTRATION	DWN. DRAWER: 7-7-73	SHEET NO. 290 B-4
		ROOF TRIM - LISTED HEADLINING	CHK. 7-7-73	APPVD. SUPERSEDES GI. 290 A-4

1. 645526 HEADLINING ASM. - SEDAN
2. 642654 WIRE - HEADLINING LISTING \*1 (RED)
3. 642655 WIRE - HEADLINING LISTING \*2 (ORANGE)
4. 642656 WIRE - HEADLINING LISTING \*3 (YELLOW) (2)
5. 642657 WIRE - HEADLINING LISTING \*4 (GREEN)
6. 647965 HEADLINING ASM. - SEDAN W/O QTR WINDOW
7. 642659 WIRE - HEADLINING LISTING \*6 (PURPLE)
8. 642327 WIRE - HEADLINING LISTING - REAR
9. 626616 CLIP (2) (REAR WIRE ONLY)
10. 626634 CLIP (12)
11. 626456 SCREW - WASHER ASM. \*8 \* 3/4 (14)
12. MA-136 CEMENT
13. 651622 HEADLINING ASM. - SEDAN BLACK
14. 651649 HEADLINING ASM. - SEDAN W/O QTR WINDOW - BLACK



HEADLINING INSTALL. PROCEDURE FOR SEDAN

1. SCREWS ARE ASSEMBLED TO ROOF WITHOUT CLIPS.
2. WIRE ASSEMBLED TO HEADLINER AS ILLUSTRATED ARE FITTED WITH CLIPS DIRECTLY BEFORE INSTALL. STARTING AT FRONT HEADLINER ASSEMBLY IS FITTED TO SCREWS, MOVED TO UP-RIGHT POSITION, AND SECURED.
3. MATERIAL IS PULLED AND CLAMPED AT FR. & REAR. CEMENTING IS STARTED AT REAR DOOR FRAME. SIMULTANEOUSLY LEFT AND RIGHT MATERIAL IS STRETCHED AND CLAMPED. SIMILAR FOR FRONT.
4. MATERIAL IS STRETCHED AND CLAMPED WITH CLOTHES PIN AT QUARTER WINDOW.
5. MATERIAL IS CUT TO PERMIT FIT, CEMENTED TO REAR WINDOW TOP, RECLAMPED AND TRIMMED. WINDSHIELD DONE IN SIMILAR FASHION.
6. X-CUTS AT COURTESY LIGHTS - FOLD BACK AND CEMENT IN PLACE.
7. MATERIAL IS STRETCHED, CEMENTED, RECLAMPED AND TRIMMED AT QUARTER WINDOW.
8. STEAM IS DIRECTED THROUGH COURTESY LIGHT HOLES INTO ROOF TO REMOVE WRINKLES FROM MATERIAL.
9. MATERIAL IS STRETCHED & FOLDED AT FRONT, CENTER AND REAR PILLARS WITHOUT CEMENT.

TYP. AT ALL WIRE ENDS