

CHECKER MOTORS CORP. KALAMAZOO, MICH.

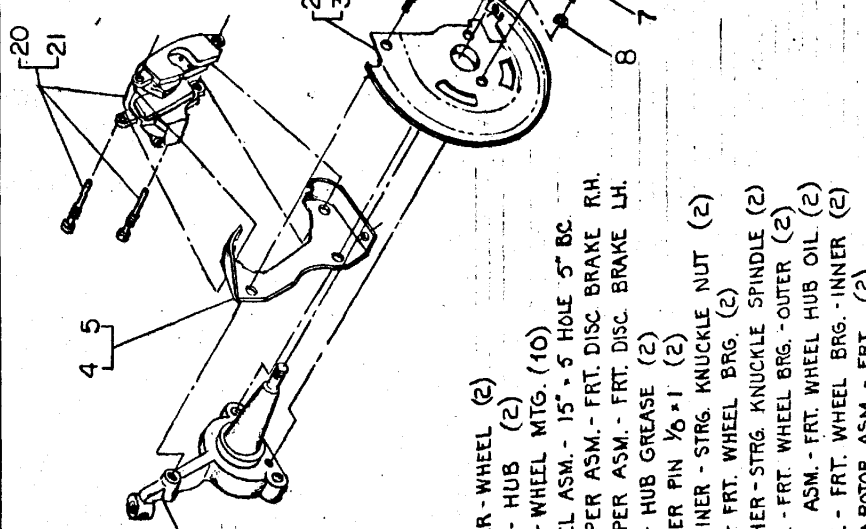
EFFECTIVE MODEL YEAR 1974

MODEL:	B-12	DATE	8-14-73
B-11	B-12E	GRAPHIC ILLUSTRATION	
B-11E	B-12W	BRAKE ASM. - FRONT DISC.	
DWN. DESKER	SHEET NO. 78 B-1	DATE	
CHK.	APFVD. SUPÉSEDES GI. 75 A-1	CHANGES	

WHEEL BEARING ADJUSTMENT

FULLY SEAT THE BEARINGS BY CONTINUOUSLY ROTATING THE DISC WHILE TIGHTING THE ADJUSTING NUT TO 10-16 LBS. FT. TORQUE. LOOSEN THE ADJUSTING NUT FREE. RETORQUE THE ADJUSTING NUT TO 2 LBS. FT. INSTALL NUT LOCK WITH ONE PAIR OF SLOTS IN LINE WITH COTTER PIN HOLE, THEN BACK OFF NUT AND LOCK ONE SLOT. INSTALL COTTER PIN. THIS SHOULD RESULT IN THE DESIRED LIMITS OF .001" TO .005" END PLAY.

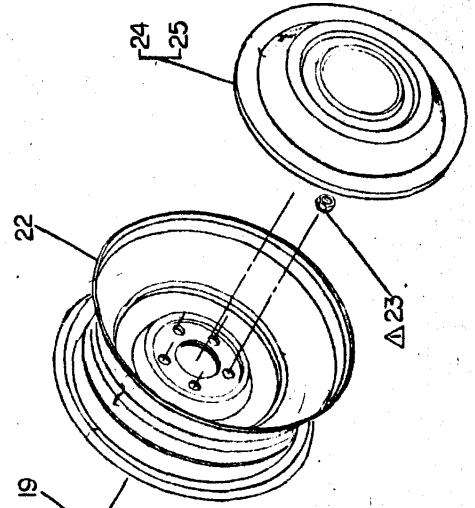
WHEEL BEARING LUBRICATION RECOMMENDATIONS
PACK INNER & OUTER BEARINGS, FILL ROTOR CAVITY, AND HUB GREASE CAP WITH M1-132



(SEE G.I. 380 FOR SUSPENSION.)

- 25. 702988 COVER - WHEEL (2)
- 24. 702669 CAP - HUB (2)
- 23. 704925 NUT - WHEEL MTG. (10)
- 22. 705001 WHEEL ASM. - 15" x 5 HOLE 5" BC.
- 21. 703058 CALIPER ASM. - FRT. DISC BRAKE RH.
- 20. 704896 CALIPER ASM. - FRT. DISC BRAKE LH.
- 19. 704897 CAP - HUB GREASE (2)
- 18. 137185 COTTER PIN 1/8" x 1 (2)
- 17. 98123 RETAINER - STRG. KNUCKLE NUT (2)
- 16. 98120 NUT - FRT. WHEEL BRG. (2)
- 15. 70285 WASHER - STRG. KNUCKLE SPINDLE (2)
- 14. 96175 CONE - FRT. WHEEL BRG. - OUTER (2)
- 13. 703752 SEAL ASM. - FRT. WHEEL HUB OIL (2)
- 12. 96174 CONE - FRT. WHEEL BRG. - INNER (2)
- 11. 703859 HUB & ROTOR ASM. - FRT. (2)
- 10. 704459 GASKET - GREASE RETAINER (2)
- 9. 448655 SCREW 1/4-28 x 1/2 HEX (2)
- 8. 131101 LW 1/2 HEAVY SPRING (4)
- 7. 181696 BOLT 1/2-20 x 1 HEX (4)
- 6. 626816 BOLT - BRAKE ANCHOR - DISC (2)
- 5. 703348 BRACKET ASM. - FRT. DISC BRAKE RH.
- 4. 703347 BRACKET ASM. - FRT. DISC BRAKE LH.
- 3. 703754 SHIELD ASM. - SPLASH - DISC BRAKE RH.
- 2. 703753 SHIELD ASM. - SPLASH - DISC BRAKE LH.
- 1. 706492 KNUCKLE - STEERING (2) REF.

△ 65-110 LBS. FT. TORQUE



CHECKER MOTORS CORP. KALAMAZOO, MICH.

EFFECTIVE MODEL YEAR 1974

MODEL: B-12W8

DATE: 8-15-73

GRAPHIC ILLUSTRATION

DWN. BY: CHK.

SHEET NO. 78B-2

BRAKE ASM. - FRONT DRUM

APPVD. SUPERSEDES G1 76A-2

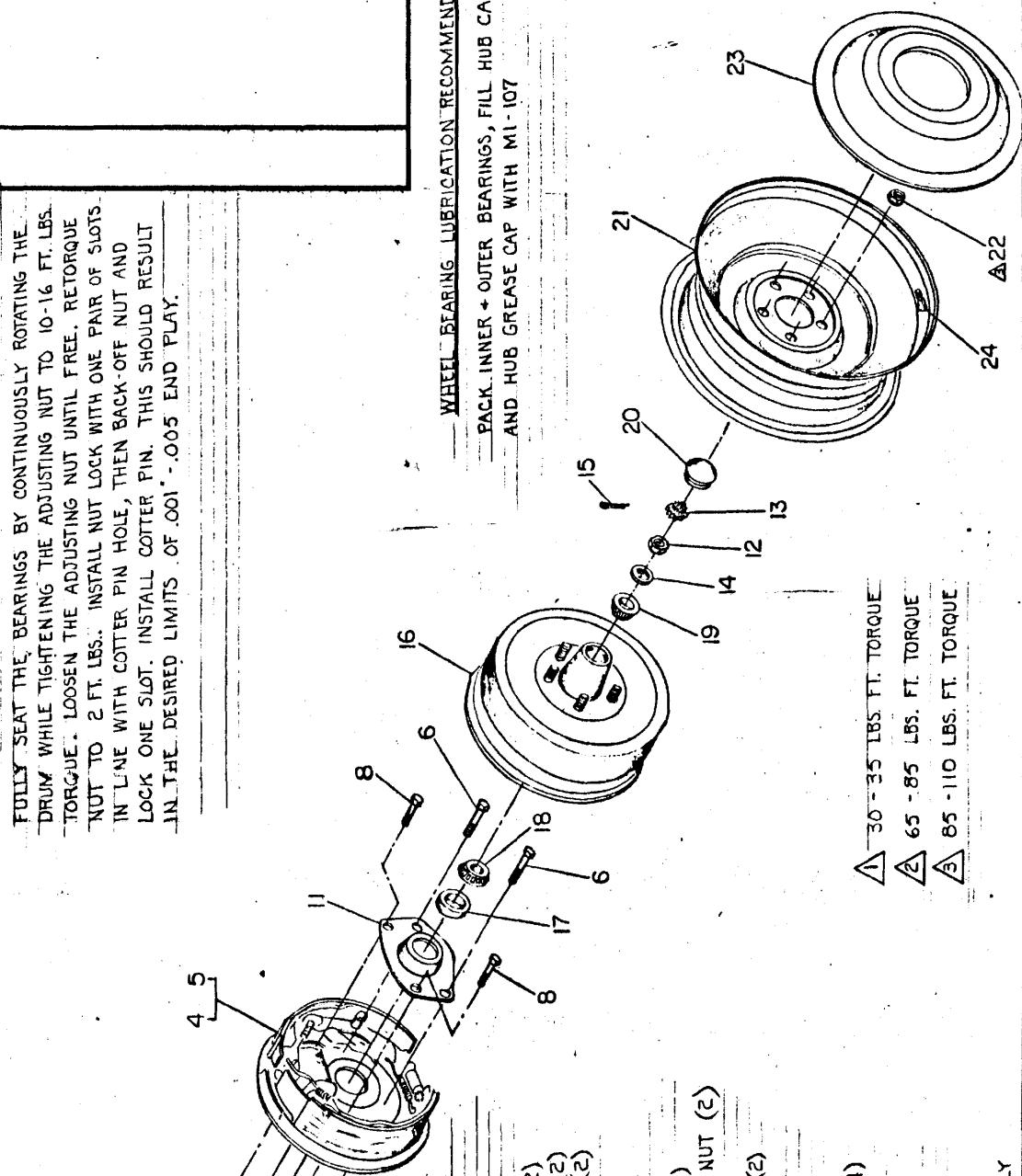
DATE

CHANGES

WHEEL BEARING ADJUSTMENT

FULLY SEAT THE BEARINGS BY CONTINUOUSLY ROTATING THE DRUM WHILE TIGHTENING THE ADJUSTING NUT TO 10-16 FT. LBS. TORQUE. LOOSEN THE ADJUSTING NUT UNTIL FREE. RETORQUE NUT TO 2 FT. LBS. INSTALL NUT LOCK WITH ONE PAIR OF SLOTS IN LINE WITH COTTER PIN HOLE, THEN BACK-OFF NUT AND LOCK ONE SLOT. INSTALL COTTER PIN. THIS SHOULD RESULT IN THE DESIRED LIMITS OF .001"-.005" END PLAY.

WHEEL BEARING LUBRICATION RECOMMENDATION:
PACK INNER + OUTER BEARINGS, FILL HUB CAVITY AND HUB GREASE CAP WITH M1-107



- △ 1 30 - 35 LBS. FT. TORQUE
- △ 2 65 - 85 LBS. FT. TORQUE
- △ 3 85 - 110 LBS. FT. TORQUE

- 24. 95050 VALVE - TIRE (2)
- 23. 702988 WHEEL COVER (2)
- 22. 96186 NUT - WHEEL MTG. (10)
- 21. 701447 WHEEL ASM. - 5 BOLT (2)
- 20. 96182 CAP - FRT. WHEEL BRG. - OUTER (2)
- 19. 96175 CONE - FRT. WHEEL BRG. - INNER (2)
- 18. 96174 SEAL - FRT. WHEEL GREASE (2)
- 17. 702595 HUB & DRUM ASM. - FRT. (2)
- 16. 701450 COTTER PIN 1/8" x 1 (2)
- 15. 137185 WASHER - STEERING KNUCKLE (2)
- 14. 70285 RETAINER - STEERING KNUCKLE NUT (2)
- 13. 90125 NUT - FRT. WHEEL BEARING (2)
- 12. 98120 RETAINER - FRT. WHEEL GREASE (2)
- 11. 702594 NUT 3/8" - 24 HEX. (4)
- 10. 120369 L.W. 3/8" MED. SPRING (4)
- 9. 120382 BOLT 1/2" - 20 x 1 1/4 HEX (4)
- 8. 181639 BOLT 1/2" - 20 x 2 1/4 HEX (4)
- 7. 626852 BOLT 1/2" - 20 x 1 1/4 HEX (4)
- 6. 181707 BRAKE ASM. - FRT. RH - 11-3
- 5. 703186 BRAKE ASM. - FRT. LH - 11-3
- 4. 703187 ARM - STEERING RH. REF. ONLY
- 3. 702736 ARM - STEERING LH. REF. ONLY
- 2. 702735 STEERING KNUCKLE (2) REF. ONLY
- 1. 702593