

CHECKER MOTORS CORP. KALAMAZOO, MICH.

GRAPHIC ILLUSTRATION

AUXILIARY FLOOR - TIRE DOOR + LATCH

DATE

12-27-75

MODEL:

A-12W

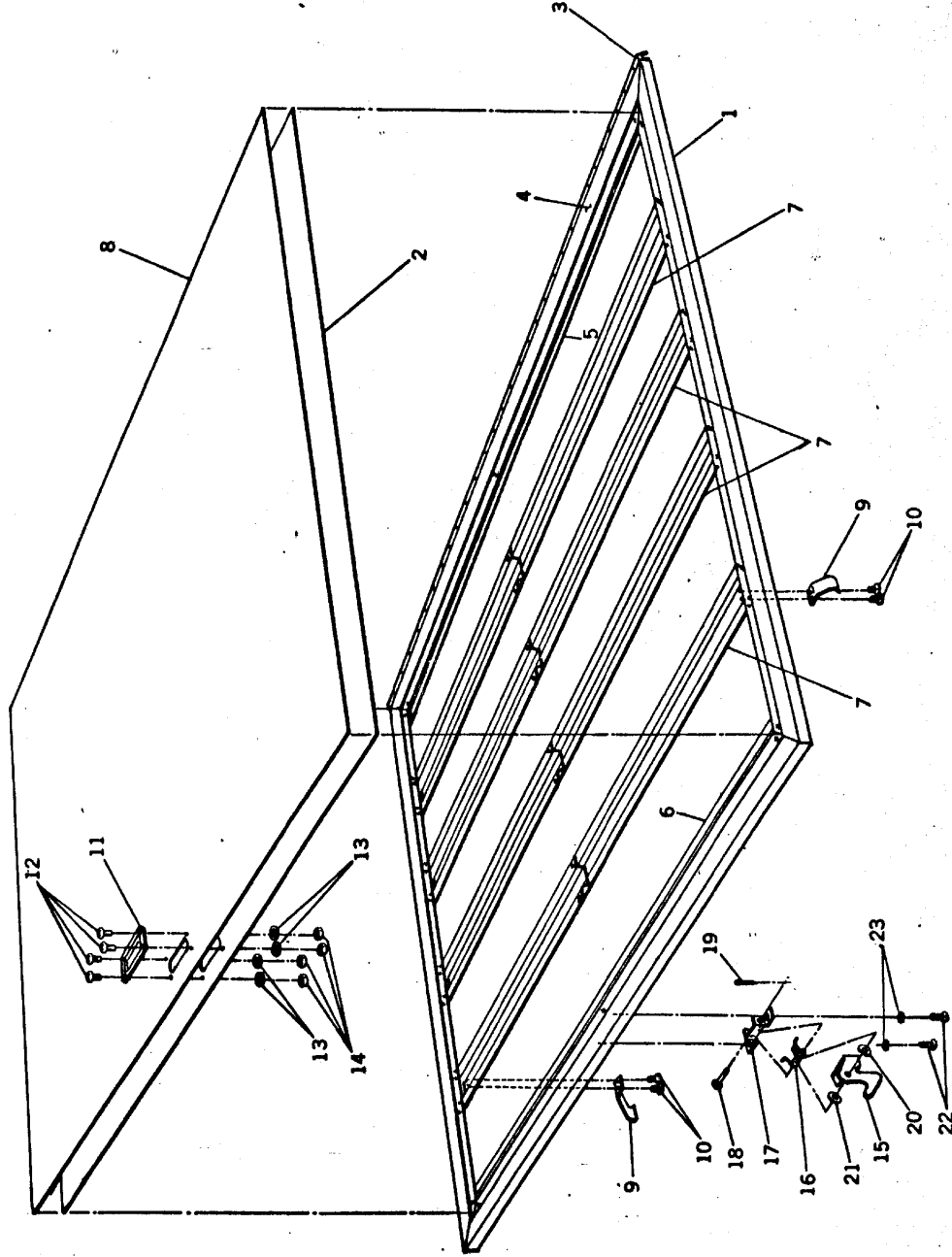
DWN. DEKKER
CHK. RCP2-7-74

SHEET NO. 170 B-1

643524 PANEL ASM. - TIRE DOOR + LATCH

DATE

CHANGES



CHECKER MOTORS CORP. KALAMAZOO, MICH.

GRAPHIC ILLUSTRATION

SHEET NO. 170 B-2

DWN. DERRICK
CHK

DATE

12-27-75

MODEL:

B-12W

AUXILIARY FLOOR -

635525 PANEL ASM. - TIRE DOOR COMPLETE.

635168 PANEL ASM. - TIRE DOOR

1. 636438 FRAME - TIRE DOOR

2. 636407 PANEL - TIRE DOOR

3. 635162 HINGE ASM. - TIRE DOOR

4. 636399 FRAME - TIRE DOOR REAR

5. 636408 REINFORCEMENT - TIRE DOOR END.

6. 640776 REINFORCEMENT - TIRE DOOR REAR

7. 636404 REINFORCEMENT - AUX. FLOOR CENTER (4)

8. 640882 COVERING - TIRE DOOR

9. 636347 CLIP - TIRE DOOR SPRING (2)

10. 163150 SCREW #8 x 3/8 PAN HD CR. (4)

11. 636478 PLATE - TIRE DOOR LIFT

12. 187871 SCREW #8-32 x 1/2 OHCR. (4)

13. 138530 L.W. #8 INT. TOOTH (4)

14. 120622 NUT #8-32 HEX. (4)

639901 LATCH

15. 640759 ASM. - TIRE DOOR

LATCH - TIRE DOOR

16. 640761 SPRING - TIRE DOOR LATCH

17. 640758 RETAINER - TIRE DOOR LATCH

18. 640760 PIN - TIRE DOOR LATCH

19. 112726 COTTER PIN 1/4 x 1/2

20. 626555 WAVE WASHER 1/4 I.D. x 1/2 O.D.

21. 120591 WASHER 1/2 I.D. x 1/2 O.D.

22. 161895 SCREW #10 x 1/2 PH.CR. (2)

23. 138479 L.W. #10 EXT. TOOTH. (2)

DATE	CHANGES

CHECKER MOTORS CORP. KALAMAZOO, MICH.

SHEET NO. 170 B-3

DWN. DEKKER
CHK.

GRAPHIC ILLUSTRATION

DATE

12-27-73

MODEL

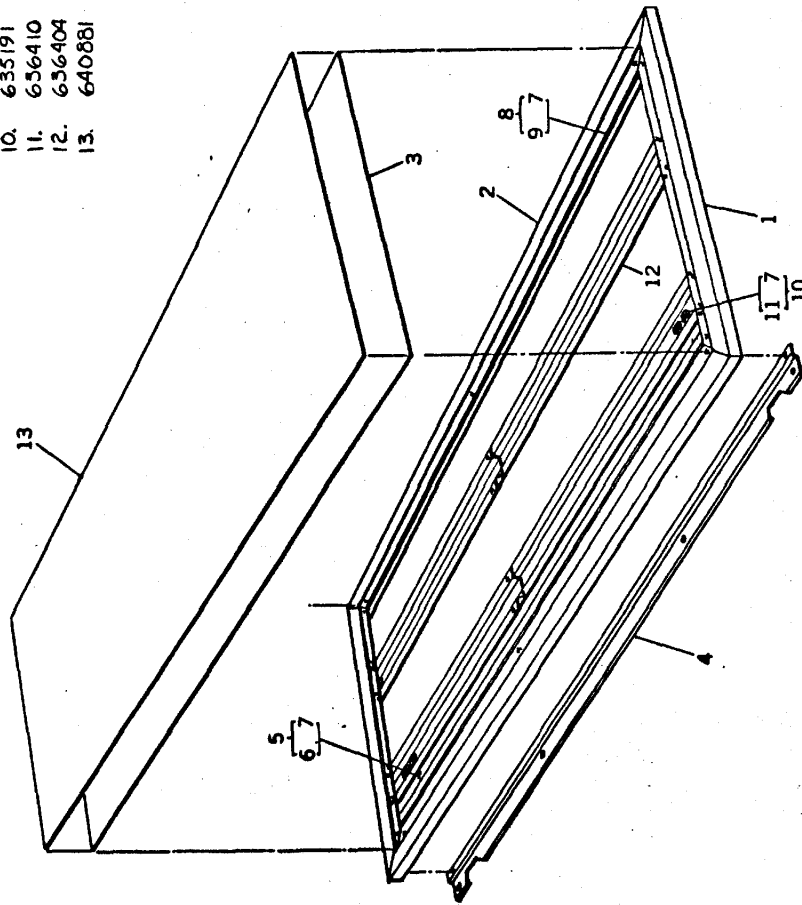
A-12W

AUXILIARY FLOOR - FRT.

DATE	CHANGES

- 635188 PANEL ASM. - FRONT AUX. FLOOR
- 1. 636439 FRAME - FRT. AUX. FLOOR
- 2. 636390 FRAME - FRT. AUX. FLOOR - REAR
- 3. 636406 PANEL - FRT. AUX. FLOOR
- 4. 636413 SUPPORT - FOLLOWER PANEL
- 5. 635189 REINFORCEMENT ASM. - FRT. AUX. FLOOR
- 6. 636411 REINFORCEMENT - FRT. AUX. FLR. - FRT.
- 7. 127637 NUT $\frac{5}{16}$ -18 CLINCH (12)
- 8. 635190 REINFORCEMENT ASM. - FRT. AUX. FLOOR
- 9. 636409 REINFORCEMENT - FRT. AUX. FLR. - REAR.
- 10. 635191 REINFORCEMENT ASM. - FRT. AUX. FLOOR
- 11. 636410 REINFORCEMENT - FRT. AUX. FLR. - CENTER
- 12. 636404 REINFORCEMENT - AUX. FLOOR CENTER
- 13. 640881 COVERING - FRT. AUX. FLOOR

643523 PANEL ASM. - FRT. AUX. FLOOR COMPLETE



CHECKER MOTORS CORP. KALAMAZOO, MICH.

SHEET NO 170 B-4

DWN. DEKKE
CHK.

GRAPHIC ILLUSTRATION

AUXILIARY FLOOR - FOLLOWER

DATE

1-2-74

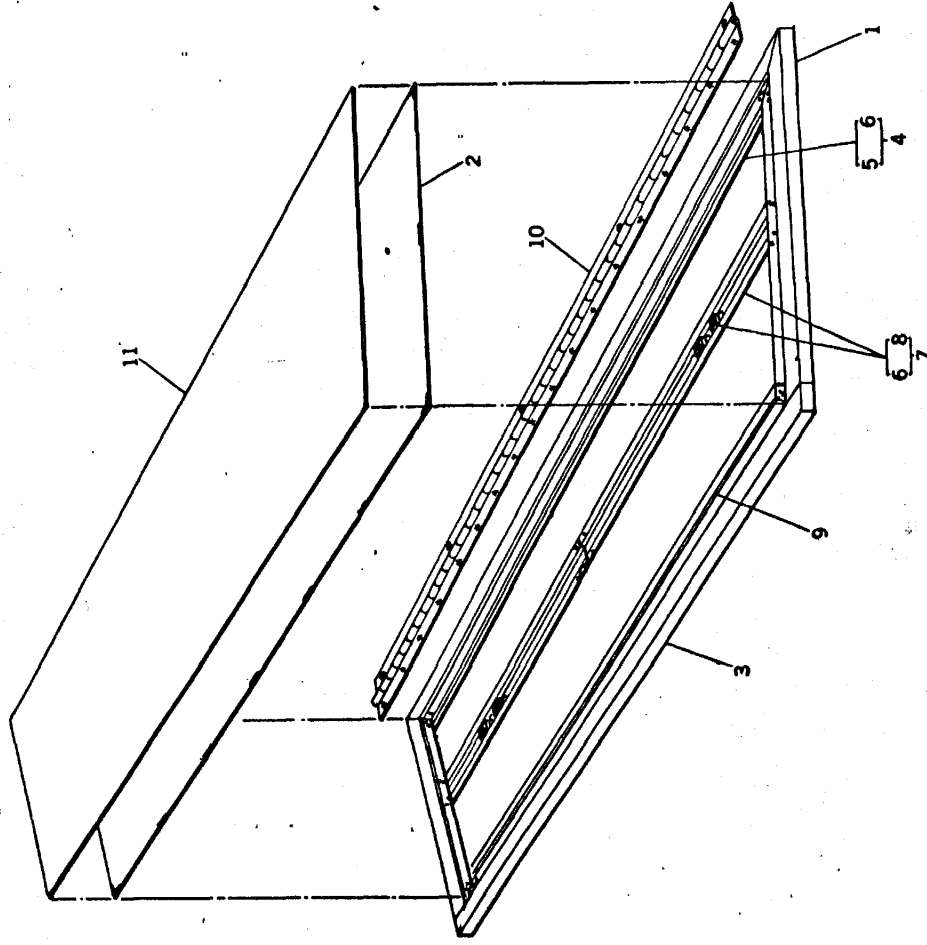
MODEL

A-12W

DATE

CHANGES

- 635192 PANEL ASM. - FOLLOWER
- 1. 636440 FRAME - FOLLOWER PANEL
- 2. 636405 PANEL - FOLLOWER
- 3. 636396 FRAME - FOLLOWER PANEL REAR
- 4. 635193 REINFORCEMENT ASM. - FOLLOWER PANEL
- 5. 636415 REINFORCEMENT - FOLLOWER PANEL - REAR
- 6. 626149 NUT - FLOATING $\frac{3}{4}$ - 18 (B)
- 7. 635194 REINFORCEMENT ASM - FOLLOWER PANEL
- 8. 636416 REINFORCEMENT - FOLLOWER PANEL - CENTER
- 9. 636417 REINFORCEMENT - FOLLOWER PANEL - FRT.
- 10. 635196 HINGE ASM. - FOLLOWER PANEL
- 11. 640883 COVERING - FOLLOWER PANEL - GRAY



643526 PANEL ASM. - FOLLOWER COMPLETE

CHECKER MOTORS CORP. KALAMAZOO, MICH.

MODEL:

DATE

1-8-74

GRAPHIC ILLUSTRATION

DWN. DEXTER
CHK. K.P. 2-7-74

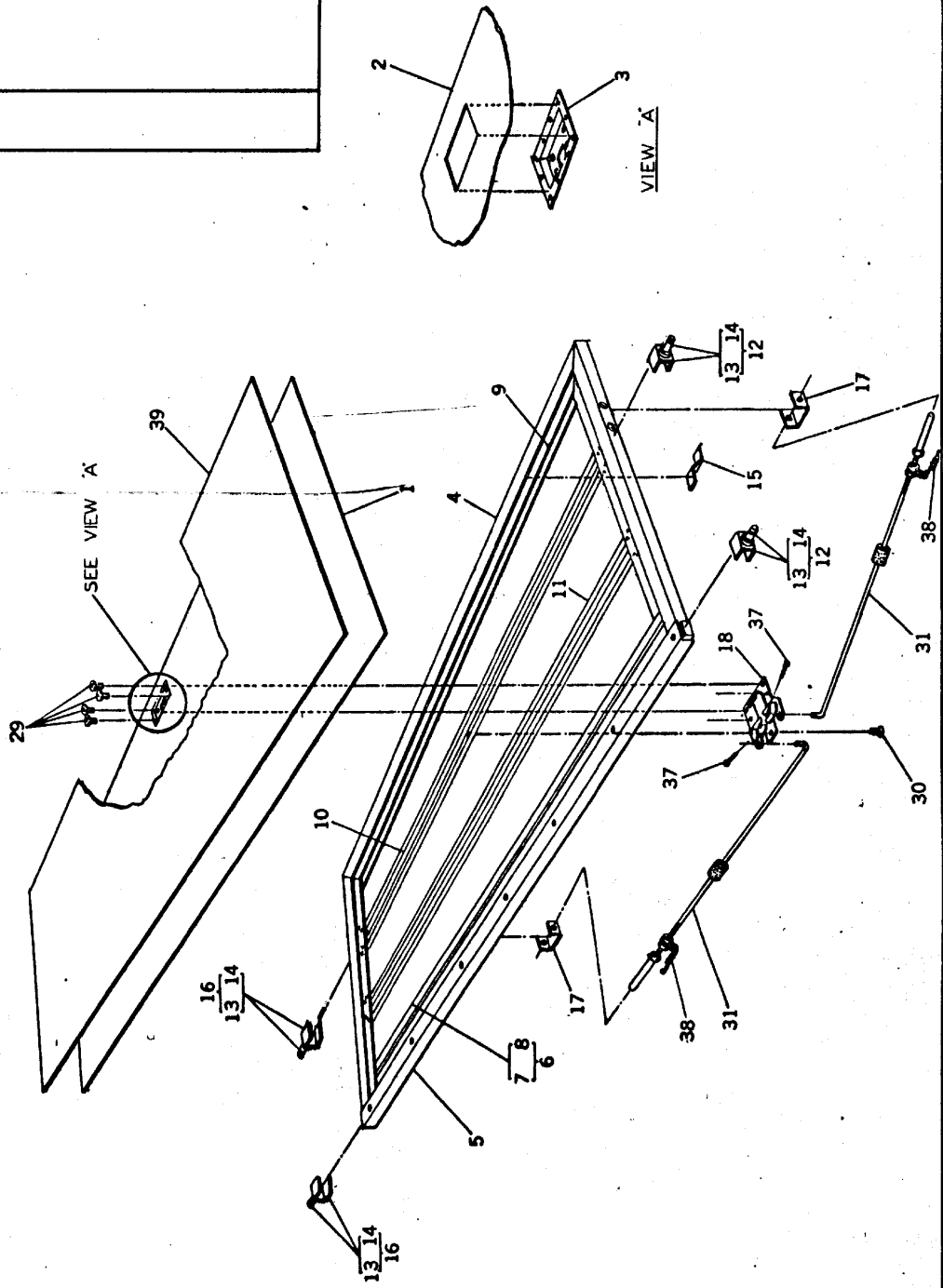
SHEET NO. 170 B-5

AUXILIARY FLOOR - REAR SEAT BACK

643619 PANEL ASM - REAR SEAT BACK - COMPLETE

DATE

CHANGES



CHECKER MOTORS CORP. KALAMAZOO, MICH.

GRAPHIC ILLUSTRATION

DATE

1-7-74

MODEL:

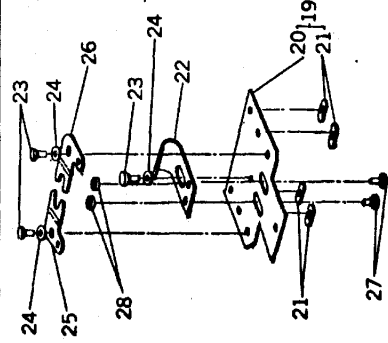
A-12W

DWN. DEKKE
CHK.

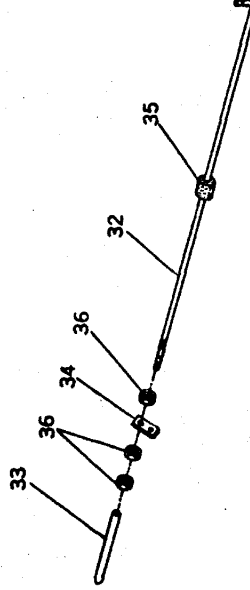
SHEET NO. 170 B-6

AUXILIARY FLOOR - REAR SEAT BACK

- 643620 PANEL ASM. - REAR SEAT BACK
- 1. 643670 ROCKET + PANEL ASM. - REAR SEAT BACK
- 2. 644716 PANEL - REAR SEAT BACK
- 3. 644763 POCKET - REAR SEAT BACK LOCK
- 4. 636441 FRAME - REAR SEAT BACK
- 5. 636419 FRAME - REAR SEAT BACK - REAR
- 6. 635211 REINFORCEMENT ASM. - REAR SEAT BACK - REAR
- 7. 636423 REINFORCEMENT - REAR SEAT BACK - REAR
- 8. 127527 NUT 1/4 - 12 CLINCH (2)
- 9. 636424 REINFORCEMENT - REAR SEAT BACK - FR.T.
- 10. 636425 REINFORCEMENT - REAR SEAT BACK - CENTER
- 11. 636426 REINFORCEMENT - REAR SEAT BACK - CENTER
- 12. 635197 BRACKET ASM. - REAR SEAT BACK - LH. (2)
- 13. 636468 BRACKET - REAR SEAT BACK (4)
- 14. 636367 PIN - REAR SEAT MECH LINK (4)
- 15. 644771 HANGER - REAR SEAT BACK CUSHION (2)
- 16. 635198 BRACKET ASM. - REAR SEAT BACK R.H. (2)
- 17. 644717 GUIDE - REAR SEAT BACK LOCK PIN (2)
- 18. 643622 PLATE ASM. - RR. SEAT LOCK REL. MTG. COMPL.
- 19. 643621 PLATE ASM. - RR. SEAT LOCK REL. MTG.
- 20. 644722 PLATE - RR. SEAT LOCK REL. MTG.
- 21. 626309 NUT *10-24 OHIO WELD. (4)
- 22. 644721 RIVET - 1/6 LOCK REL. SHOULDER (3)
- 23. 636277 WASHER - WAVE (3)
- 24. 626356 LEVER - REAR SEAT LOCK REL. LH.
- 25. 644725 LEVER - REAR SEAT LOCK REL. RH.
- 26. 644726 PIN - 1/6 LOCK REL. GUIDE (2)
- 27. 636278 SPACER - 1/6 LOCK REL. GUIDE PIN (2)
- 28. 636279 SCREW + ET. LW. ASM. - 10-24 * 1/2 PHCR. (4)
- 29. 273513 SCREW *10 * 1/2 PH.CR.
- 30. 161895 ROD ASM. - REAR SEAT BACK LOCK CONTROL (2)
- 31. 643623 ROD - RR. SEAT BACK LOCK CONT. (2)
- 32. 644719 PIN - RR. SEAT BACK LOCK. (2)
- 33. 644718 ANCHOR - RR. SEAT LOCK ROD SPRING (2)
- 34. 644724 ROLLER - WINDOW ANTI-RATTLE (2)
- 35. 644184 NUT *10-32 HEX. (6)
- 36. 120614 COTTER PIN 1/8 * 1/2 (2)
- 37. 112726 SPRING - 1/6 ANTI-RATTLE (2)
- 38. 94104 COVERING - REAR SEAT BACK PANEL
- 39. 644720



643622 PLATE ASM. - REAR SEAT LOCK REL. MTG. COMPL.



643623 ROD ASM. - REAR SEAT BACK LOCK CONTROL

DATE	CHANGES

CHECKER MOTORS CORP. KALAMAZOO, MICH.

GRAPHIC ILLUSTRATION

AUXILIARY FLOOR - INSTALLATION

DATE

1-11-74

MODEL:

A-12 W

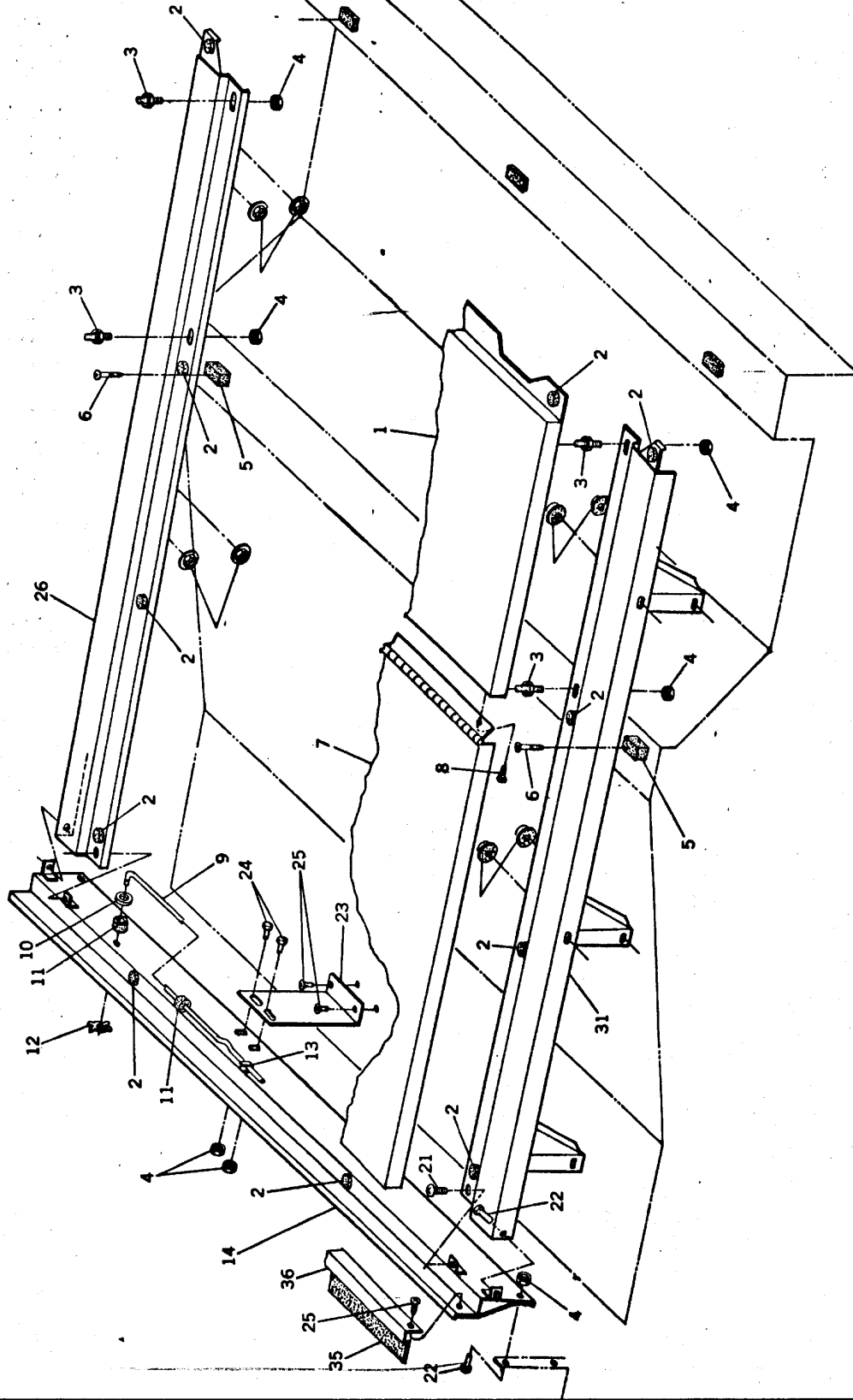
DWN
CHK

DESIGNER

SHEET NO. 170 B-7

DATE

CHANGES



CHECKER MOTORS CORP. KALAMAZOO, MICH.

GRAPHIC ILLUSTRATION

AUXILIARY FLOOR - INSTALLATION

DATE

1-10-74

MODEL:

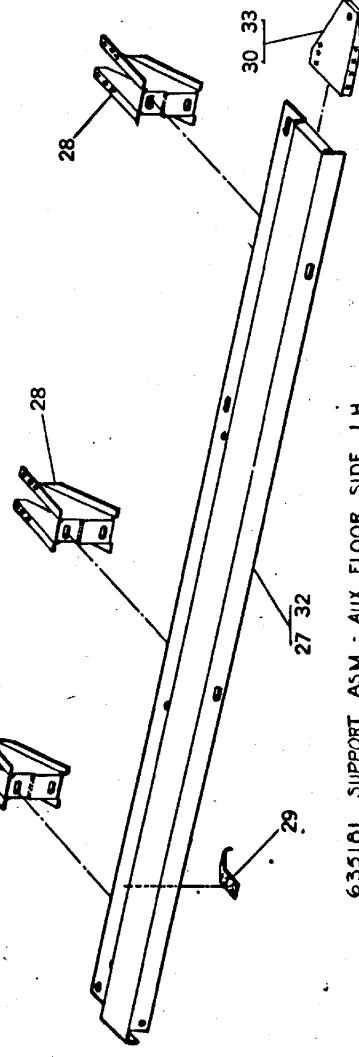
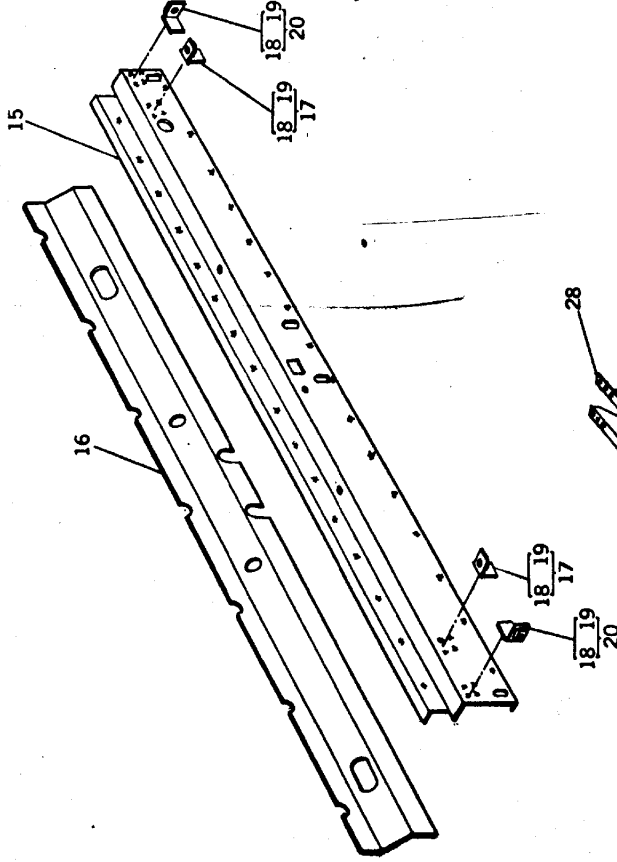
A-12W

SHEET NO. 170 B-8

DWN. DEGREE
CHK.

1. 643523 PANEL ASM. - FRT. AUX. FLOOR
2. 625242 BUMPER - HOOD (4)
3. 636467 STUD - AUX. FLOOR $\frac{3}{16}$ "-18 (4)
4. 273802 NUT $\frac{3}{16}$ "-18 SERR. HEX. (8)
5. 94620 SHIM. - UNDERBODY FRAME (2)
6. 163242 SCREW $\frac{10}{16}$ "-1/2 FHCR. (2)
7. 643524 PANEL ASM. - TIRE DOOR + LATCH
8. 626611 SCREW $\frac{8}{16}$ "-1/2 FHCR. (7)
9. 636445 PROP - TIRE DOOR
10. 120393 WASHER $\frac{1}{32}$ " ID. $\times \frac{1}{16}$ " OD
11. 636208 GROMMET - SPARE TIRE DOOR (2)
12. 626486 "X" WASHER $\frac{3}{32}$ " DIA. GROOVE
13. 115269 CLIP $\frac{3}{16}$ " SINGLE TUBE
14. 635180 SUPPORT ASM. - REAR FLOOR
15. 636446 SUPPORT - REAR FLOOR
16. 636533 REINFORCEMENT - REAR FLOOR SUPPORT
17. 635199 ANGLE ASM. - REAR FLOOR SUPPORT (2)
18. 636447 ANGLE - REAR FLOOR SUPPORT (4)
19. 127637 NUT $\frac{3}{16}$ "-18 CLINCH (4)
20. 635201 ANGLE ASM. - REAR FLOOR SUPPORT (2)
21. 137767 SCREW $\frac{3}{16}$ "-18 $\times \frac{3}{8}$ " THCR. (2)
22. 191667 SCREW + LW. ASM. - $\frac{3}{16}$ "-18 $\times \frac{3}{4}$ " HEX. (4)
23. 636442 REINFORCEMENT - REAR FLOOR SUPPORT
24. 626467 SCREW $\frac{8}{16}$ "-1/2 FHCR. (9)
25. 163158 SUPPORT ASM. - AUX. FLOOR SIDE LH.
26. 635181 SUPPORT - AUX. FLOOR SIDE LH.
27. 636443 BRACKET - AUX. FLOOR SIDE SUPPORT (6)
28. 636312 STRIKER - TIRE DOOR CLIP (2)
29. 636391 REINFORCEMENT - AUX. FLOOR SIDE LH.
30. 636529 SUPPORT ASM. - AUX. FLOOR SIDE RH.
31. 635182 SUPPORT - AUX. FLOOR SIDE RH.
32. 636444 REINFORCEMENT - AUX. FLOOR SIDE RH.
33. 636530 NUT, WASHER + SEALER ASM. - $\frac{3}{16}$ "-18 (6)
34. 626492 WEATHERSEAL - TAILGATE DOOR - BOTTOM
35. 636130 RETAINER - 1/5 DOOR BOTTOM
36. 636226 PLATE - TRIM REAR SEAT BACK LOCK
37. 644770 SCREW $\frac{8}{16}$ "-1/2 OHCR. (4)
38. 626612

635180 SUPPORT ASM. - REAR FLOOR



635181 SUPPORT ASM. - AUX. FLOOR SIDE LH.
635182 SUPPORT ASM. - AUX. FLOOR SIDE RH.

DATE	CHANGES