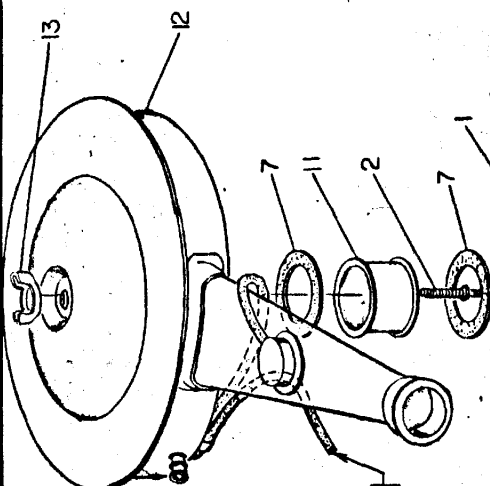


CHECKER MOTORS CORP. KALAMAZOO, MICH.

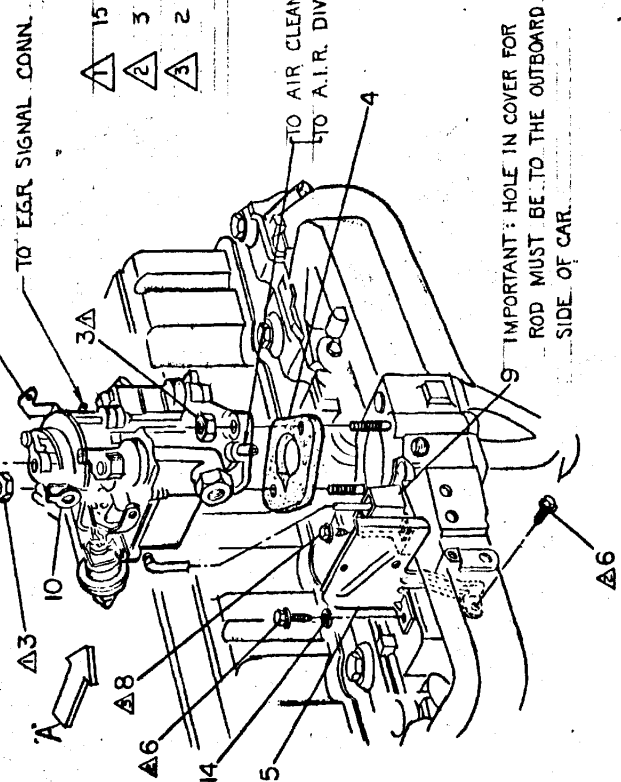
EFFECTIVE : MODEL YEAR 1974

MODEL:	B-12	DATE	5-30-75
B-11	B-12E	GRAPHIC ILLUSTRATION	
B-11E	B-12W	CARB., AIR CLEANER + CHOKE - 6 CYL.	
DWN. DESIGNS:		SHEET NO.	90 B-1
CHK. 6-20-74		APPVD.	SUPERSEDES G1 90 A-B PER MEMO # 337



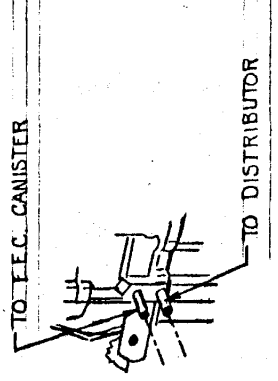
- 1. 705349 CARBURETOR ASM. - 6 CYL. (NON. CALF.)
- 2. 705350 CARBURETOR ASM. - 6 CYL. (CALF. ONLY)
- 3. 703932 STUD + NUT ASM.
- 4. 120369 NUT 3/8-24 HEX. (2)
- 5. 706301 INSULATOR - CARB. HEAT
- 6. 706246 SHIELD - AUTO CHOKE AIR - 6 CYL.
- 7. 9414204 SCREW 1/4-20 x 3/8 SERR. HEX. (2)
- 8. 702284 GASKET - AIR CLEANER (2)
- 9. 273513 SCREW + LW. ASM. - \*10-24 x 1/2 PHCH
- 10. 9431655 THERMOSTAT, COVER + ROD ASM. - AUTO CHOKE
- 11. 706339 CLIP - THERMO. CHOKE ROD.
- 12. 705353 EXTENSION - CARB. TO A/C
- 13. 705353 CLEANER ASM. - AIR
- 14. 126177 WING NUT 1/4-20
- 15. 120380 L.W. 1/4 MED SPRING

TO CARBURETOR NON CALF.  
TO A.I.R. DIVERTER VALVE CALF. CARS ONLY



- △ 15-20 FT. LBS. TORQUE
- △ 3-4 FT. LBS. TORQUE
- △ 2-3 FT. LBS. TORQUE

NOTE: INITIAL TORQUE 2-4 FT. LBS. ON EACH NUT ONE AT A TIME, THEN RETIGHTEN EACH IN SAME SEQUENCE TO 15-20 FT. LBS.



IMPORTANT: HOLE IN COVER FOR ROD MUST BE TO THE OUTBOARD SIDE OF CAR.

VIEW IN DIRECTION OF ARROW A

CHECKER MOTORS CORP. KALAMAZOO, MICH.

EFFECTIVE : MODEL YEAR 1974

MODEL:	B-12	DATE
B-11	B-12E	5-31-75
B-11E	B-12W	

GRAPHIC ILLUSTRATION

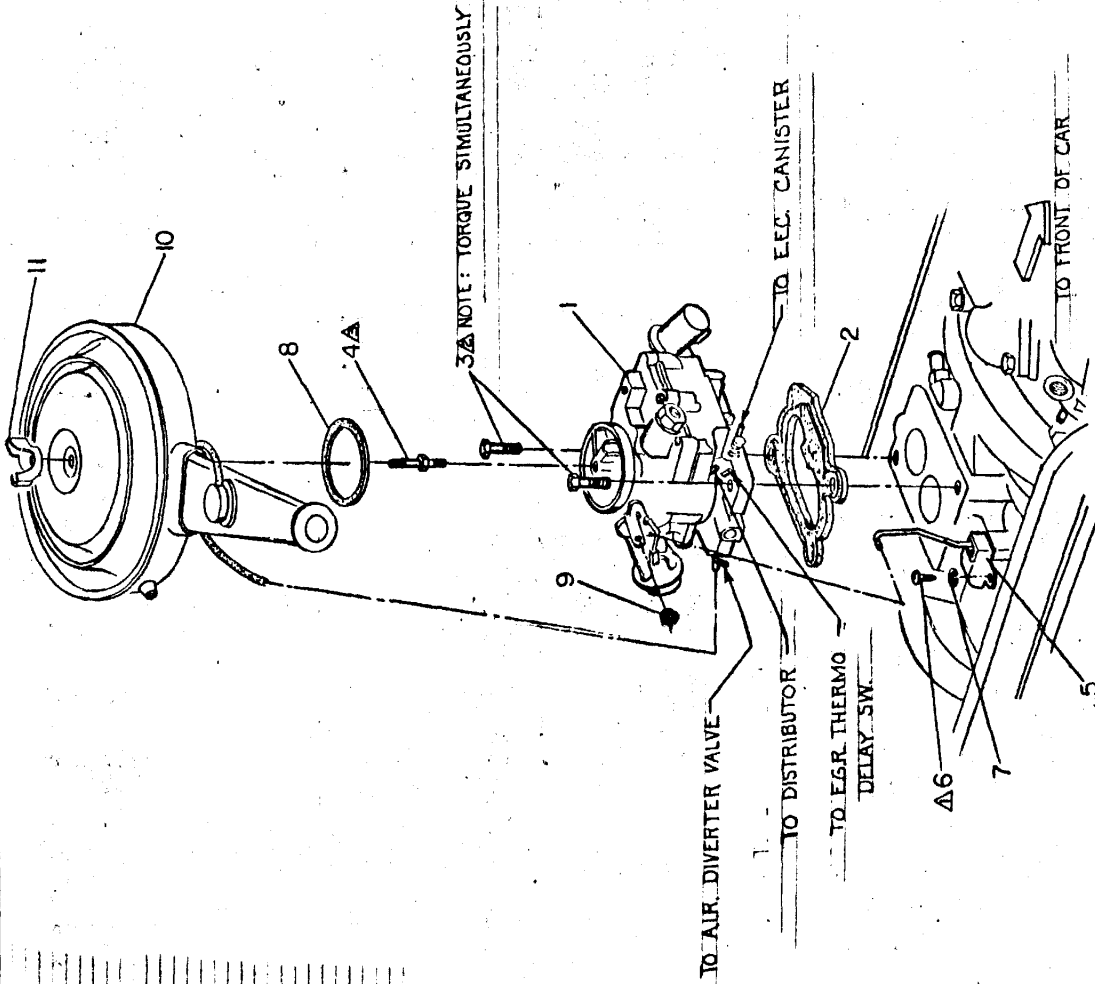
CARBURETOR, AIR CLEANER - CHOKE - 2. BEL. 8 CYL.

DWN. *Draws.*  
CHK. 7-2-75

SHEET NO. 90 B-2

APPRVD. SUPERSEDES G.I. 90 A-9 PER MEMO. 357

1.	705351	CARBURETOR ASM. - V-8 2BL.
2.	705417	INSULATOR - CARB. HEAT
3.	180081	BOLT 5/8-18 x 1/4 HEX. (2)
4.	701236	STUD ASM. - AIR CLEANER
5.	705148	THERMOSTAT, COVER - ROD ASM. - 8 CYL.
6.	120221	SCREW *10-24 x 1/2 RH.
7.	120217	L.W. *10 MED. SPRING
8.	704548	GASKET - CARB TO AIR CLEANER
9.	9431655	RETAINING RING
10.	705136	CLEANER ASM. - AIR
11.	126177	WING NUT 1/4-20



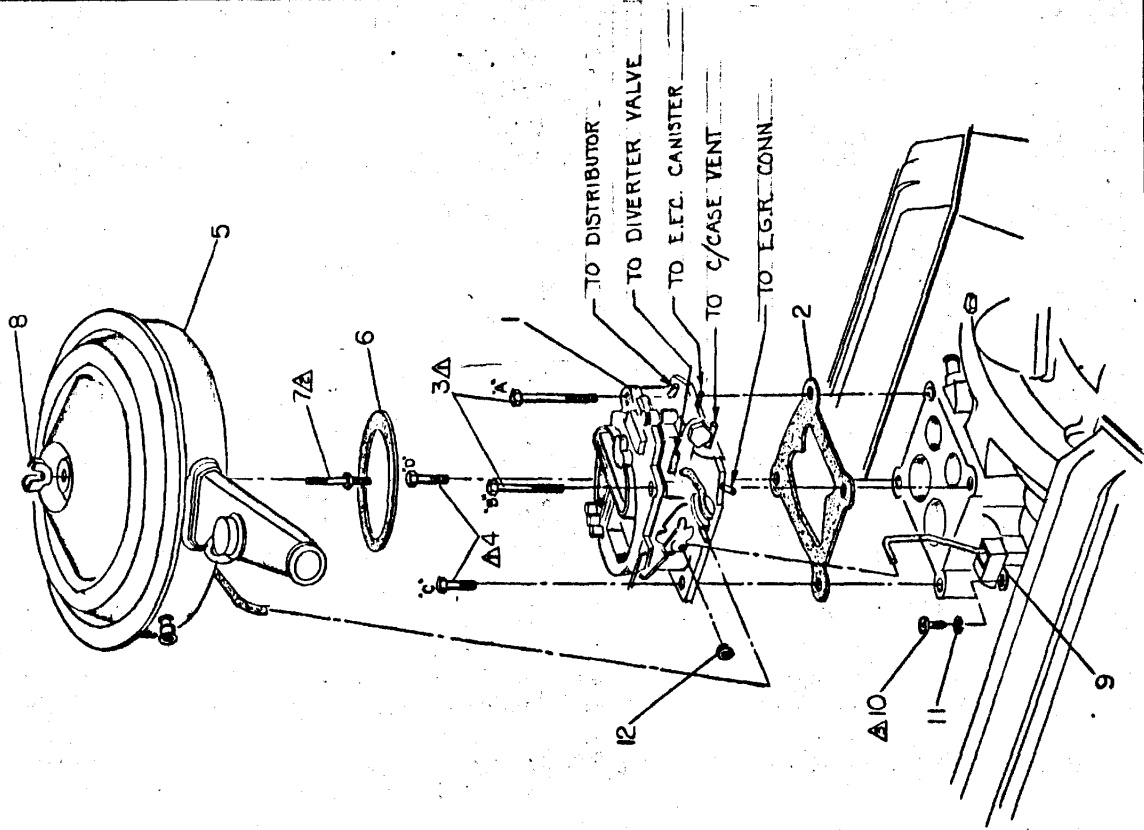
- ① 2-3 LBS. FT. TORQUE
- ② 10-14 LBS. FT. TORQUE
- ③ 3-4 LBS. FT. TORQUE

CHECKER MOTORS CORP. KALAMAZOO, MICH.

EFFECTIVE : MODEL YEAR 1974

MODEL:	B-12WB	DATE	6-1-73
DWN. DESKTOP	CHK. 27-2-73	SHEET NO.	90B-3
CARBURETOR, CHOKE & AIR CLEANER - 4 Bbl. 8 CYL.		APPVD.	SUPERSEDES GI. 90A-10 PER MEMO # 337

NO.	DESCRIPTION	DATE	CHANGES
1.	705352 CARBURETOR ASM. - 4 Bbl.		
2.	705418 INSULATOR		
3.	BOLT $\frac{3}{16}$ - 18 $\times$ 3/4 HEX. (2)		
4.	BOLT $\frac{3}{16}$ - 18 $\times$ 1 1/4 HEX. (2)		
5.	705737 CLEANER ASM. - AIR		
6.	704022 GASKET - AIR CLEANER		
7.	705037 STUD ASM. - 1/4 - 20		
8.	126177 WING NUT 1/4 - 20		
9.	705147 THERMOSTAT, COVER + ROD ASM. - CHOKE		
10.	120221 SCREW #10 - 24 $\times$ 1/2 RH.		
11.	120217 L.W. #10 MED. SPRING		
12.	9431655 RETAINING RING		



- $\Delta$  10 - 14 LBS. FT. TORQUE
- $\Delta$  3 - 4 LBS. FT. TORQUE
- $\Delta$  2 - 3 LBS. FT. TORQUE

NOTE: SIMULTANEOUSLY DRIVE BOLT 'A' + BOLT 'C' TO TORQUE  $\Delta$ . THEN SIMULTANEOUSLY DRIVE BOLT 'B' + BOLT 'D' TO TORQUE  $\Delta$