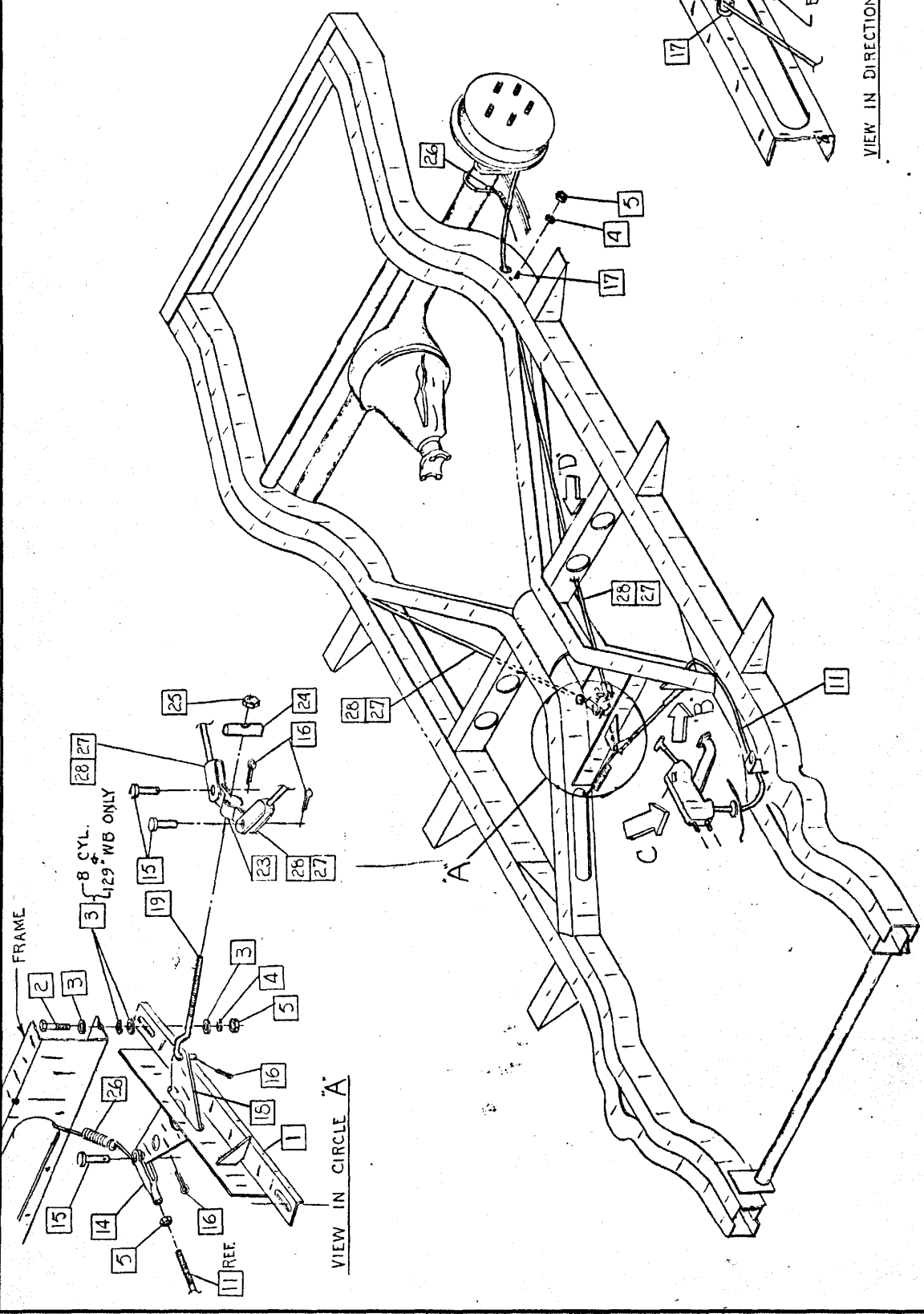


CHECKER MOTORS CORP. KALAMAZOO, MICH.

EFFECTIVE MODEL YEAR 1974

MODEL: B-11 B-11E	DATE 8-8-73	GRAPHIC ILLUSTRATION BRAKES - PARKING	DWN. <i>Drafts</i>	SHEET NO. 72 B-1
			CHK.	
B-12 B-12E B-12W			APPVD.	SUPERSEDES G.I. 72A-4

DATE	CHANGES



CHECKER MOTORS CORP. KALAMAZOO, MICH.

EFFECTIVE MODEL YEAR 1974

MODEL: B-12  
B-12E  
B-11E B-12W

DATE  
8-8-73

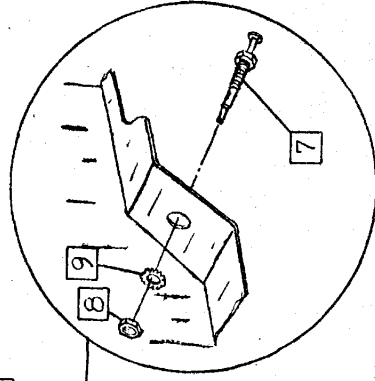
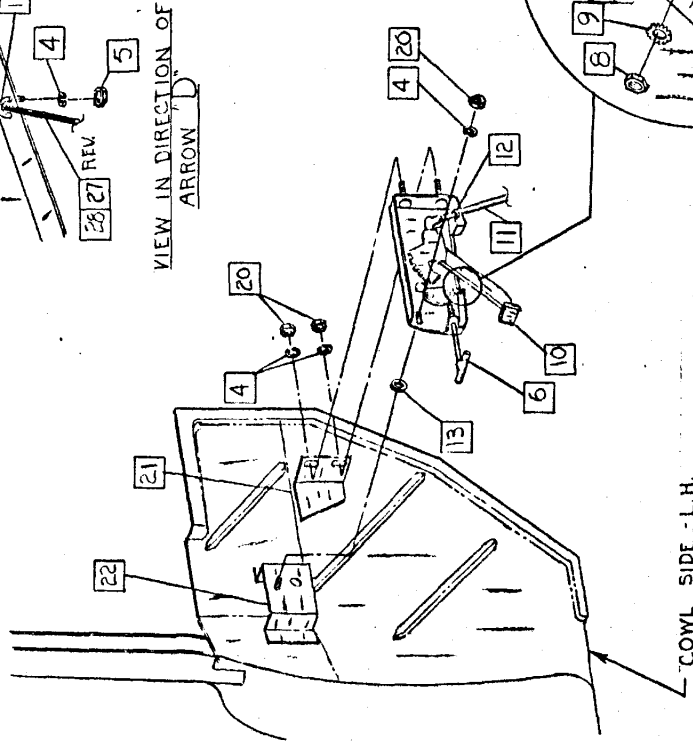
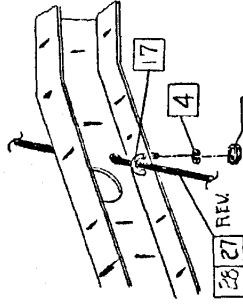
GRAPHIC ILLUSTRATION  
BRAKES - PARKING

DWN. CHECKER  
CHK.

SHEET NO. 72B-2

APPVD. SUPERSEDES G1. 72A-5

1. 701578 BRACKET ASM. - PK. BRAKE LEVER
2. 181608 BOLT -  $\frac{3}{16}$  - 24 x 1 HEX. (2)
3. 94354 WASHER (4) 120"WB, (4) EXTRA 129"WB. OR 8 CYL. AS SPACERS
4. 120214 L.W.  $\frac{5}{16}$  MED. SPRING (10)
5. 120368 NUT  $\frac{3}{16}$  - 24 HEX. (8)
6. 705055 CONTROL ASM. - PK. BRAKE
7. 704766 SWITCH ASM. - LH. FRT. PILLAR
8. 124824 NUT  $\frac{5}{16}$  - 18 HEX. JAM.
9. 138485 L.W.  $\frac{5}{16}$  EXT. TOOTH.
10. 94336 PAD - PK. BRAKE PEDAL
11. 705049 CABLE ASM. - PK. BRAKE FRT.
12. 706198 RETAINER - PK. BRAKE CABLE
13. 626322 WASHER  $\frac{5}{16}$  ID. -  $\frac{7}{16}$  OD x .065
14. 144242 CLEVIS  $\frac{5}{16}$  ADJ.
15. 120690 PIN  $\frac{5}{16}$  (3)
16. 121222 COTTER PIN  $\frac{3}{32}$  x  $\frac{3}{4}$  (4)
17. 70779 CLAMP - PK. BRAKE CABLE REAR. (5)
18. 94782 LEVER - PK. BRAKE FRAME.
19. 94643 ROD - PK. BRAKE EQUALIZER
20. 120376 NUT  $\frac{5}{16}$  - 18 HEX.
21. 646491 BRACKET - PK. BRAKE CONTROL MTG. - FRT.
22. 647907 BRACKET + BOLT ASM. - PK. BRK. CONT. MTG. - REAR
23. 702155 EQUALIZER - PARKING BRAKE
24. 80517 PIVOT - PK. BRAKE EQUALIZER
25. 626851 NUT  $\frac{5}{16}$  - 24 HEX. CROWN LOCK
26. 94346 SPRING - PK. BRK. CABLE (3)
27. 703744 CABLE ASM. - PK. BRAKE 120"WB. (2)
28. 703745 CABLE ASM. - PK. BRAKE 129"WB. (2)



VIEW IN DIRECTION OF ARROW C

DATE	CHANGES
9-4-74	94354 Add (2) V-8 Eng.
~	Only Added.
9-6-74	Spacer Note Revised.

CHECKER MOTORS CORP. KALAMAZOO, MICH.

EFFECTIVE MODEL YEAR 1974

SHEET NO. 72.B-3

DWN. DATE  
CHK.

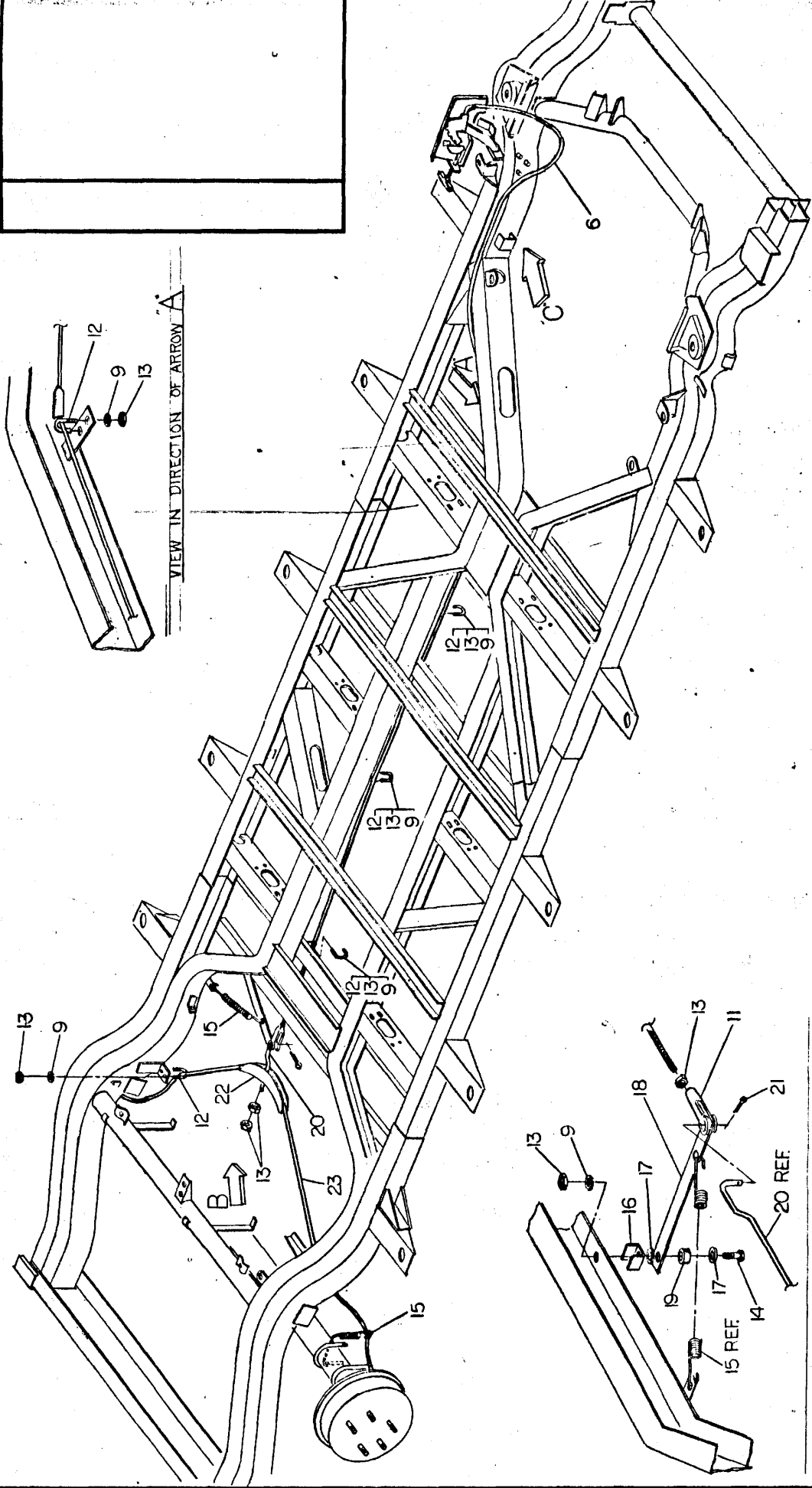
APPVD. SUPERSEDES G1.72.A-2

DATE  
8-14-73

MODEL:  
B-12W6

GRAPHIC ILLUSTRATION  
BRAKES - PARKING

DATE	CHANGES



VIEW IN DIRECTION OF ARROW A

VIEW IN DIRECTION OF ARROW B

CHECKER MOTORS CORP., KALAMAZOO, MICH.

EFFECTIVE MODEL YEAR 1973

SHEET NO. 72 B-4

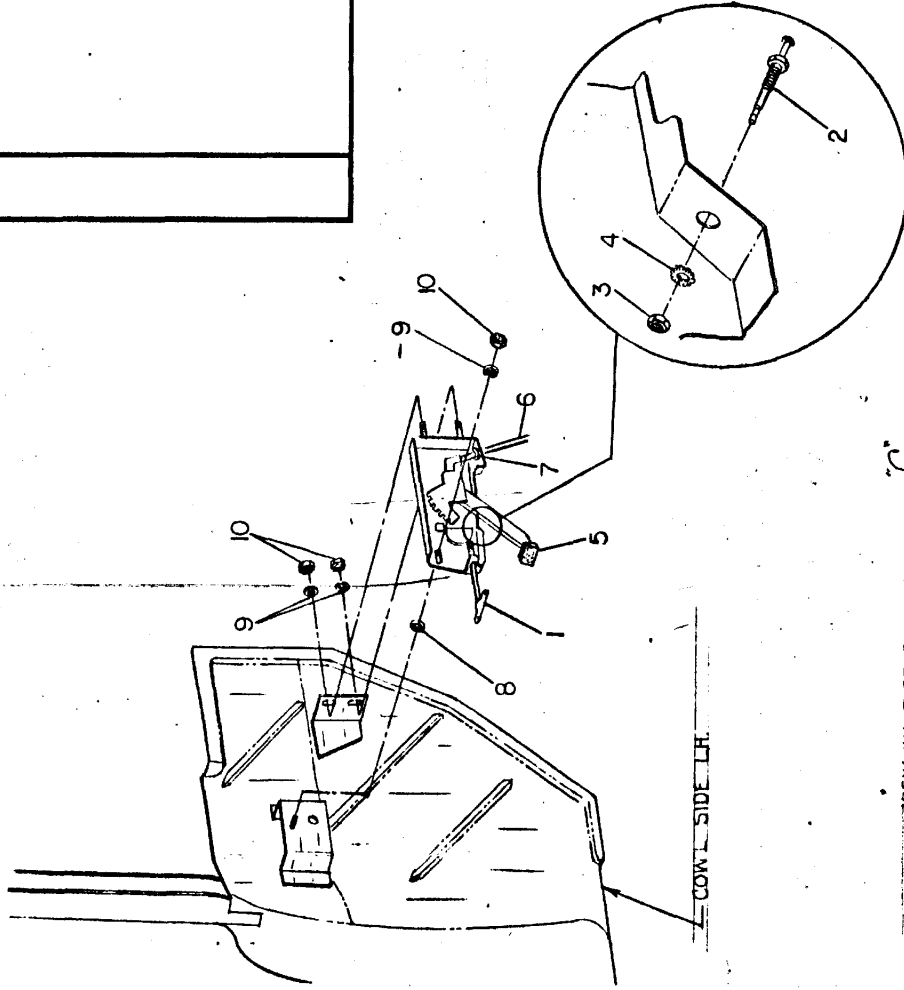
DWN. CHK. APPVD. SUPERSEDES GI 72 A-2

GRAPHIC ILLUSTRATION  
BRAKES - PARKING

MODEL: B-12 W8

DATE: 8-14-73

1. 705055 CONTROL ASM. - PARK BRAKE
2. 704766 SWITCH ASM. - LH. FRI. PILLAR
3. 124824 NUT  $\frac{3}{16}$ -18 HEX. JAM.
4. 138485 LW.  $\frac{3}{16}$  EXT. TOOTH.
5. 94336 PAD - PARK BRAKE PEDAL
6. 705050 CABLE ASM. - PARK BRAKE
7. 706198 RETAINER - PARK BRAKE CABLE
8. 626322 WASHER  $\frac{5}{16}$  I.D.  $\times \frac{7}{8}$  O.D.
9. 120214 LW.  $\frac{3}{16}$  MED. SPRING (10)
10. 120376 NUT  $\frac{3}{16}$ -18 HEX. (3)
11. 144242 CLEVIS  $\frac{3}{16}$  ADJ. LIGHT
12. 70779 CLAMP - PK. BRAKE CABLE - REAR (6)
13. 120368 NUT  $\frac{3}{16}$ -24 HEX. (9)
14. 123798 BOLT  $\frac{3}{16}$ -24  $\times$  1  $\frac{1}{2}$  HEX.
15. 94348 SPRING - PARK. BRAKE CABLE RETURN (3)
16. 702768 SUPPORT - PK. BRAKE LEVER
17. 626322 WASHER  $\frac{5}{16}$  I.D.  $\times \frac{7}{8}$  O.D. (2)
18. 704341 LEVER - PK. BRAKE EQUALIZER
19. 702770 SPACER - PK. BRAKE LEVER
20. 704342 ROD - PK. BRAKE EQUALIZER
21. 121222 COTTER PIN.  $\frac{3}{32} \times \frac{3}{4}$
22. 702367 EQUALIZER - PK. BRAKE
23. 701460 CABLE ASM. - PK. BRAKE REAR



VIEW IN DIRECTION OF ARROW "C"