

CHECKER MOTORS CORP. KALAMAZOO, MICH.

EFFECTIVE MODEL YEAR 1974

SHEET NO. 65 B-1

DWN. DE-GER
CHK.

APPVD. SUPERSEDES GI. 60 A-1

MODEL: B-12
B-11

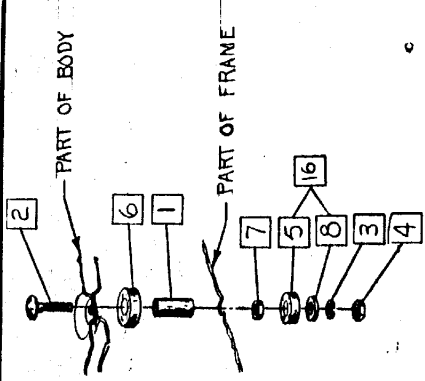
DATE
8-17-73

GRAPHIC ILLUSTRATION
BODY MOUNTING

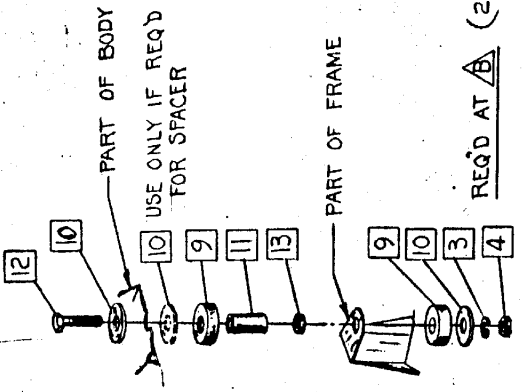
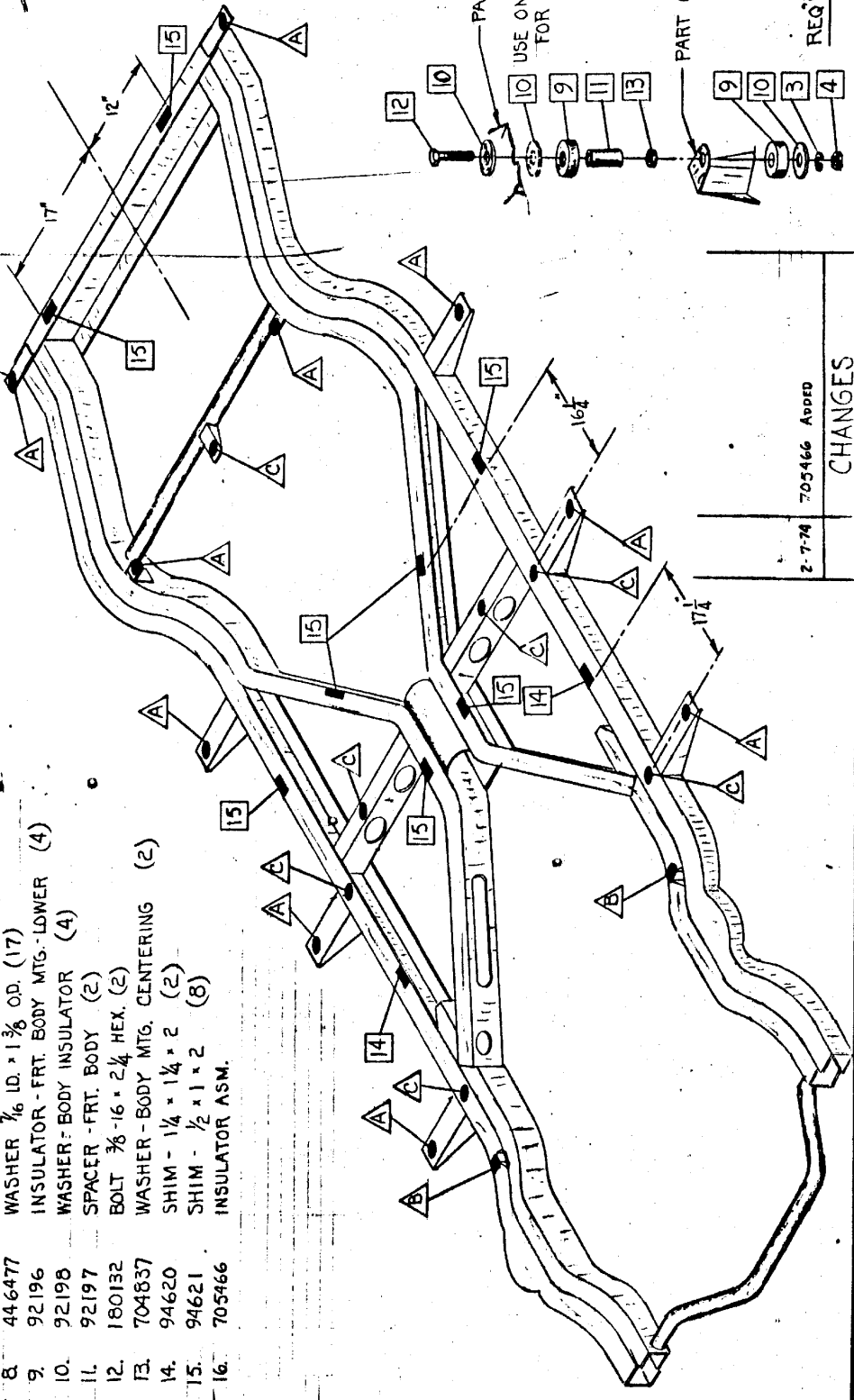
1. 94550 SPACER - SQ. BODY BOLT (17)
2. 94570 BOLT $\frac{3}{8}$ -16 x 2 $\frac{1}{2}$ IN STEP (17)
3. 120382 L.W. $\frac{3}{8}$ MED. SPRING (19)
4. 120377 NUT $\frac{3}{8}$ -16 HEX. (19)
5. 702417 INSULATOR - BODY - LOWER (17)
6. 702416 INSULATOR - BODY - UPPER (17)
7. 702415 WASHER - BODY MTG. CENTERING (17)
8. 446477 WASHER $\frac{1}{16}$ ID. x 1 $\frac{3}{8}$ O.D. (17)
9. 92196 INSULATOR - FRT. BODY MTG. - LOWER (4)
10. 92198 WASHER - BODY INSULATOR (4)
11. 92197 SPACER - FRT. BODY (2)
12. 180132 BOLT $\frac{3}{8}$ -16 x 2 $\frac{1}{4}$ HEX. (2)
13. 704837 WASHER - BODY MTG. CENTERING (2)
14. 94620 SHIM - $\frac{1}{4}$ x $\frac{1}{4}$ x 2 (2)
15. 94621 SHIM - $\frac{1}{2}$ x 1 x 2 (8)
16. 705466 INSULATOR ASM.

NOTE:

- TIGHTEN Δ POSITIONS FIRST, STARTING AT FRONT
- TIGHTEN Δ POSITIONS SECOND, USING SPACERS 10 AS REQ'D
- TIGHTEN Δ POSITIONS LAST
- TIGHTEN ALL BODY MTG. NUTS TO 16-20 LBS. FT. TORQUE



REQ'D AT Δ (10 PLACES)
REQ'D AT Δ (7 PLACES)



REQ'D AT Δ (2 PLACES)

2-7-74 705466 Added

CHANGES

CHECKER MOTORS CORP. KALAMAZOO, MICH.

EFFECTIVE MODEL YEAR 1974

GRAPHIC ILLUSTRATION

DWN. DESIGNER

SHEET NO. 65 B-2

DATE 8-17-73

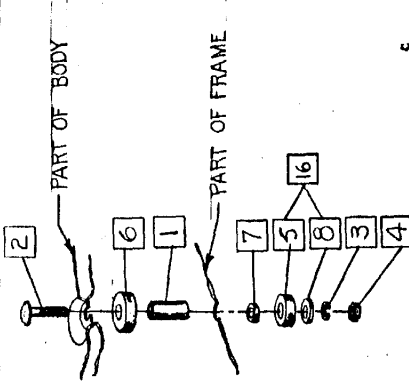
CHK.

MODEL: B-11E B-12E

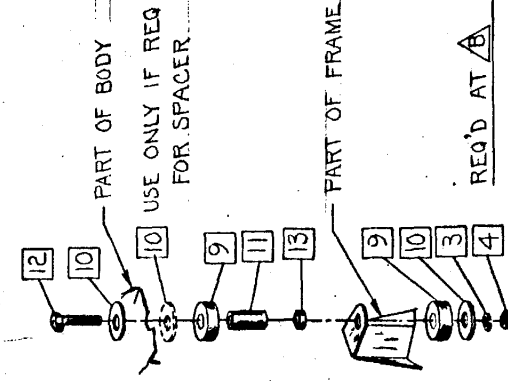
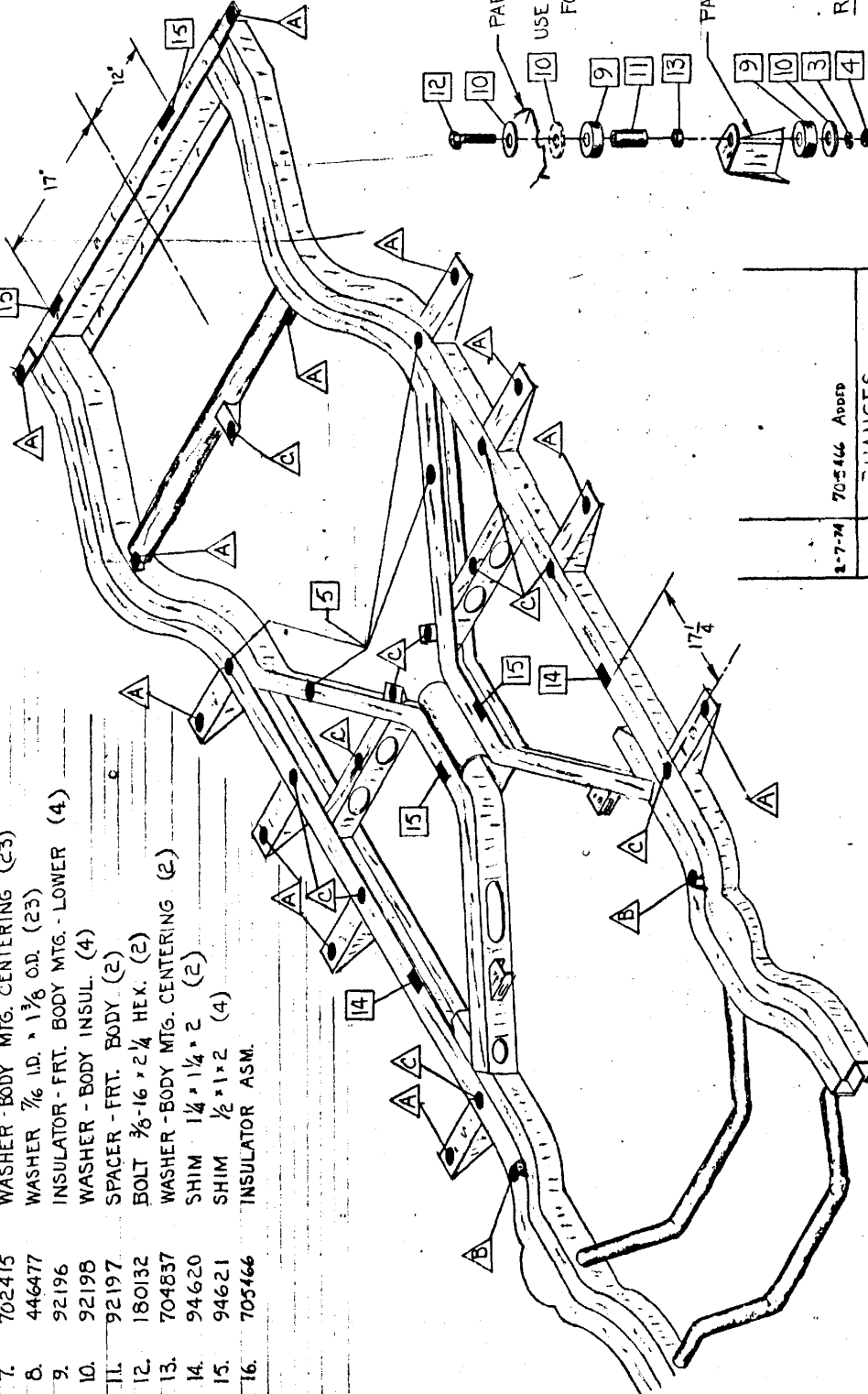
APPVD. SUPERSEDES G.I. 60 A-2

1. SPACER - SQ. BODY BOLT (23)
2. BOLT $\frac{3}{8}$ -16 x 2 1/2 IN. STEP (23)
3. L.W. $\frac{3}{8}$ MED. SPRING (25)
4. NUT $\frac{3}{8}$ -16 HEX. (25)
5. INSULATOR - BODY - LOWER (27)
6. INSULATOR - BODY - UPPER (23)
7. WASHER - BODY MTG. CENTERING (23)
8. WASHER $\frac{7}{16}$ I.D. x 1 3/8 O.D. (23)
9. INSULATOR - FRT. BODY MTG. - LOWER (4)
10. WASHER - BODY INSUL. (4)
11. SPACER - FRT. BODY (2)
12. BOLT $\frac{3}{8}$ -16 x 2 1/4 HEX. (2)
13. WASHER - BODY MTG. CENTERING (2)
14. SHIM 1 1/4 x 1 1/4 x 2 (2)
15. SHIM 1/2 x 1 x 2 (4)
16. INSULATOR ASM.

NOTE:
 TIGHTEN Δ POSITIONS FIRST, STARTING AT FRONT
 TIGHTEN ∇ POSITIONS SECOND, USING SPACERS 10 AS REQ'D
 TIGHTEN \triangle POSITIONS LAST.
 TIGHTEN ALL BODY MTG. NUTS TO 16-20 LBS. FT. TORQUE



REQ'D AT Δ (12 PLACES)
 REQ'D AT ∇ (11 PLACES)



REQ'D AT Δ (2 PLACES)

8-7-74 70546 Appop
 CHANGES

CHECKER MOTORS CORP. KALAMAZOO, MICH.

EFFECTIVE MODEL YEAR 1974

GRAPHIC ILLUSTRATION

DWN. DESIG. SHEET NO. 65 B-3

DATE 8-17-73

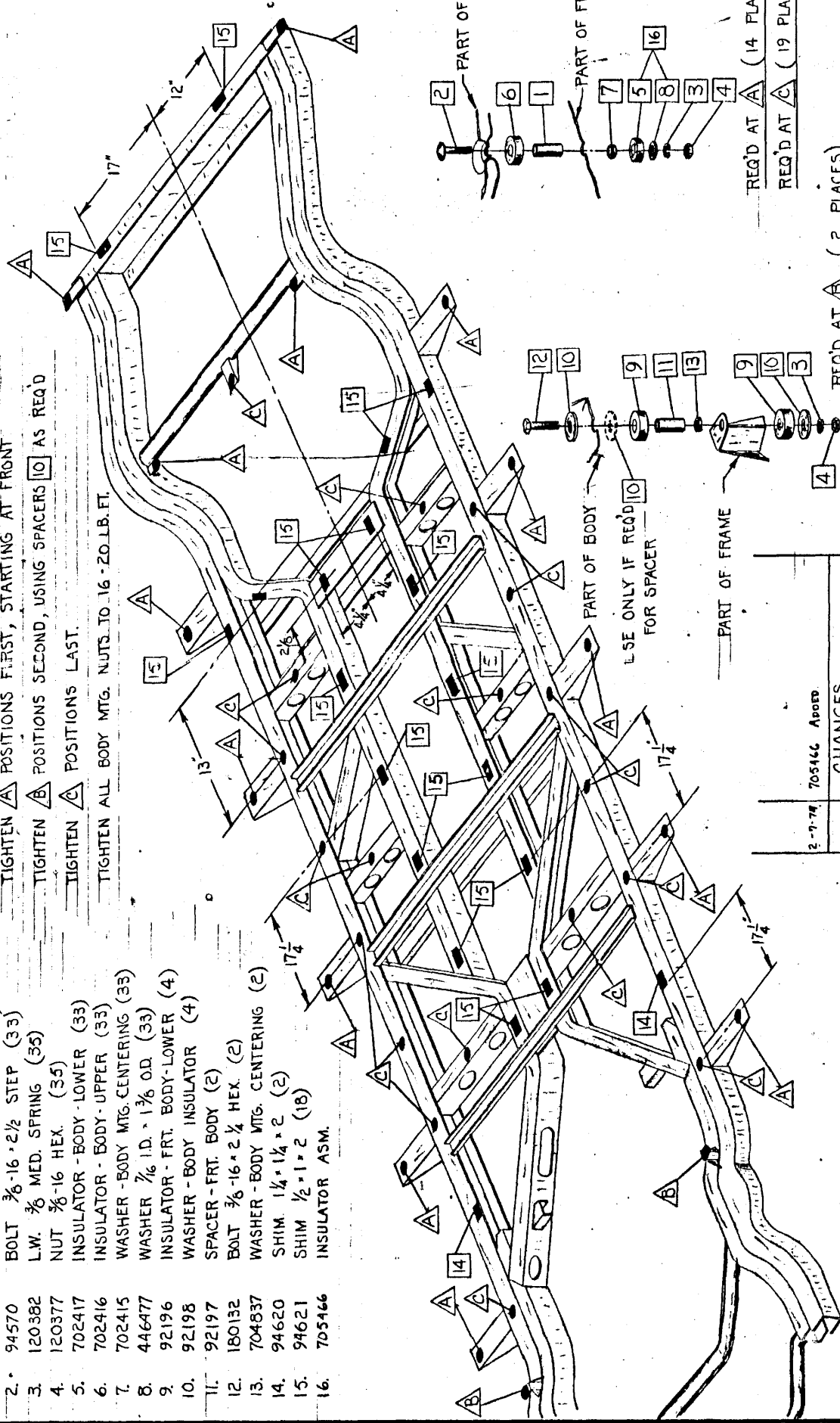
MODEL: B-12WB

BODY MOUNTING

CHK. APPVD. SUPERSEDES GI 60A-3

- 1. 94550 SPACER - SQ. BODY BOLT (33)
- 2. 94570 BOLT $\frac{3}{8}$ -16 x 2 1/2 STEP (33)
- 3. 120382 L.W. $\frac{3}{8}$ MED. SPRING (35)
- 4. 120377 NUT $\frac{3}{8}$ -16 HEX. (35)
- 5. 702417 INSULATOR - BODY - LOWER (33)
- 6. 702416 INSULATOR - BODY - UPPER (33)
- 7. 702415 WASHER - BODY MTG. CENTERING (33)
- 8. 446477 WASHER $\frac{7}{16}$ I.D. x 1 3/8 O.D. (33)
- 9. 92196 INSULATOR - FRT. BODY - LOWER (4)
- 10. 92198 WASHER - BODY INSULATOR (4)
- 11. 92197 SPACER - FRT. BODY (2)
- 12. 180132 BOLT $\frac{3}{8}$ -16 x 2 1/4 HEX. (2)
- 13. 704837 WASHER - BODY MTG. CENTERING (2)
- 14. 94620 SHIM 1 1/4 x 1 1/4 x 2 (2)
- 15. 94621 SHIM 1/2 x 1 x 2 (18)
- 16. 705466 INSULATOR ASM.

NOTE:
 TIGHTEN Δ POSITIONS FIRST, STARTING AT FRONT
 TIGHTEN ∇ POSITIONS SECOND, USING SPACERS \square AS REQ'D
 TIGHTEN \triangle POSITIONS LAST.
 TIGHTEN ALL BODY MTG. NUTS TO 16-20 L.B.F.T.



2-7-74 705466 APPVD
 CHANGES

REQ'D AT Δ (14 PLACES)
 REQ'D AT ∇ (19 PLACES)

REQ'D AT Δ (2 PLACES)

CHECKER MOTORS CORP. KALAMAZOO, MICH.

EFFECTIVE MODEL YEAR 1974

MODEL: A-12
A-11
A-11E

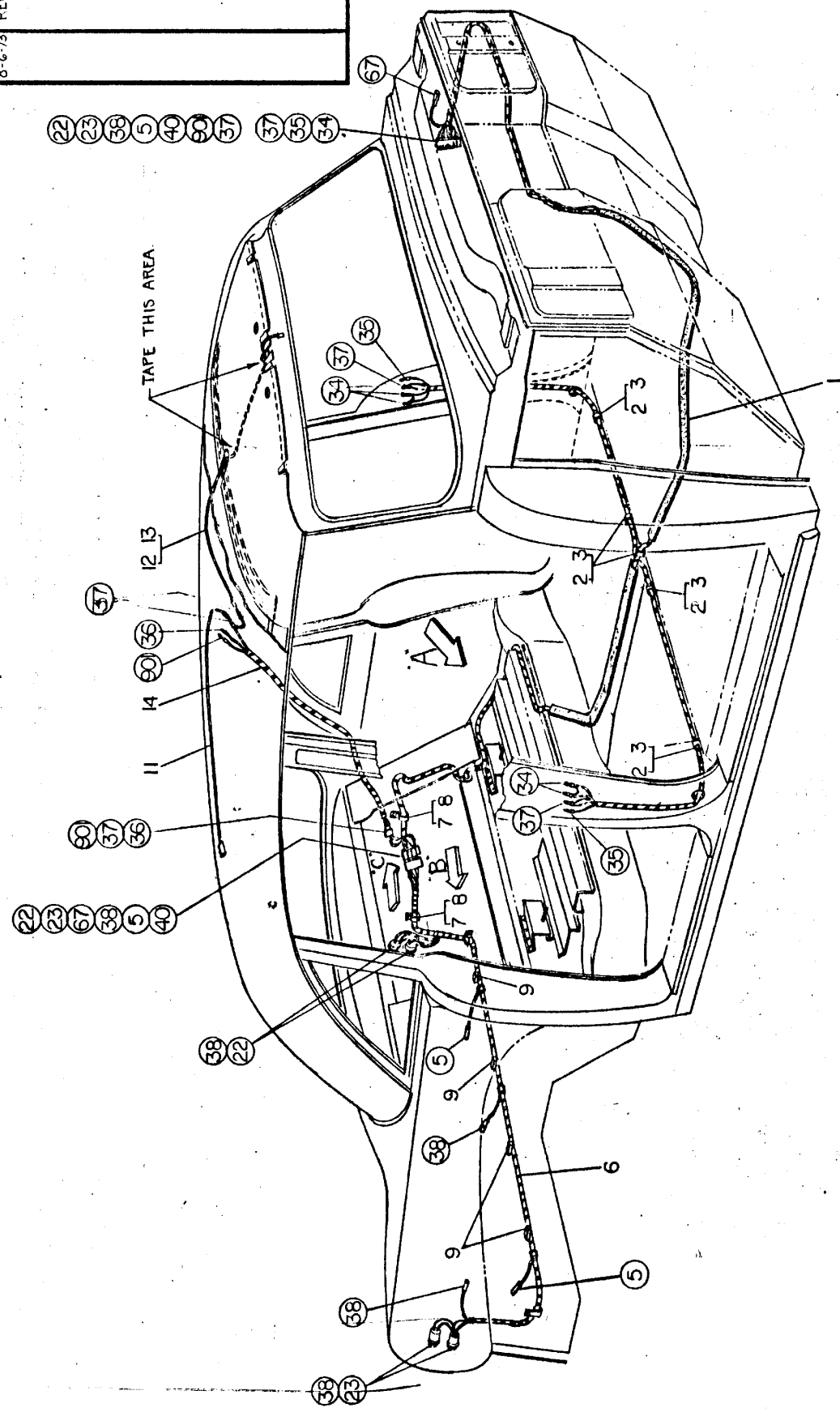
DATE: 6-19-73

GRAPHIC ILLUSTRATION
BODY WIRING - HARNESS ROUTING

SHEET NO. 67 B-1

APPVD. SUPERSEDES G.I. 65A-1 PER MEMO P 335

DATE	CHANGES
8-6-73	REVISED



CHECKER MOTORS CORP. KALAMAZOO, MICH.

EFFECTIVE MODEL YEAR 1974

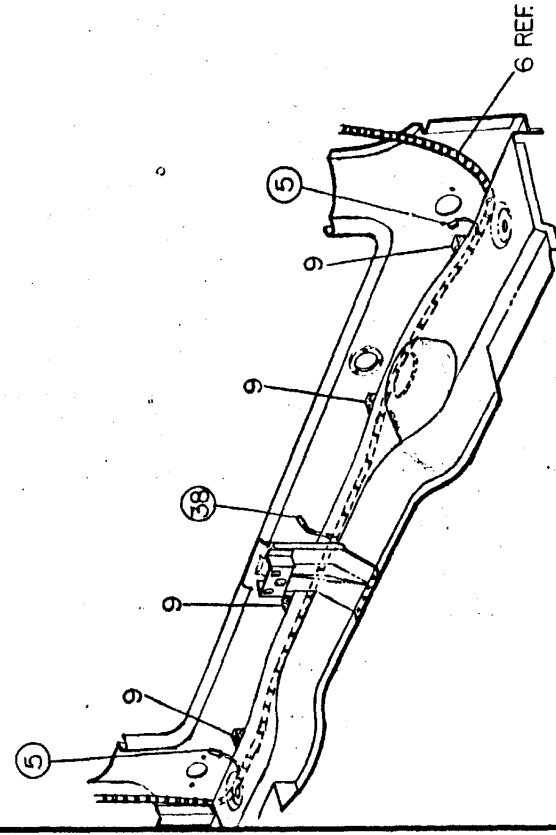
MODEL:	A-12	DATE	6-20-73
A-11	A-12E	GRAPHIC ILLUSTRATION	
A-11E		BODY WIRING - HARNESS ROUTING	

DWN. *D*
CHK. *C*
APPVD. *A*

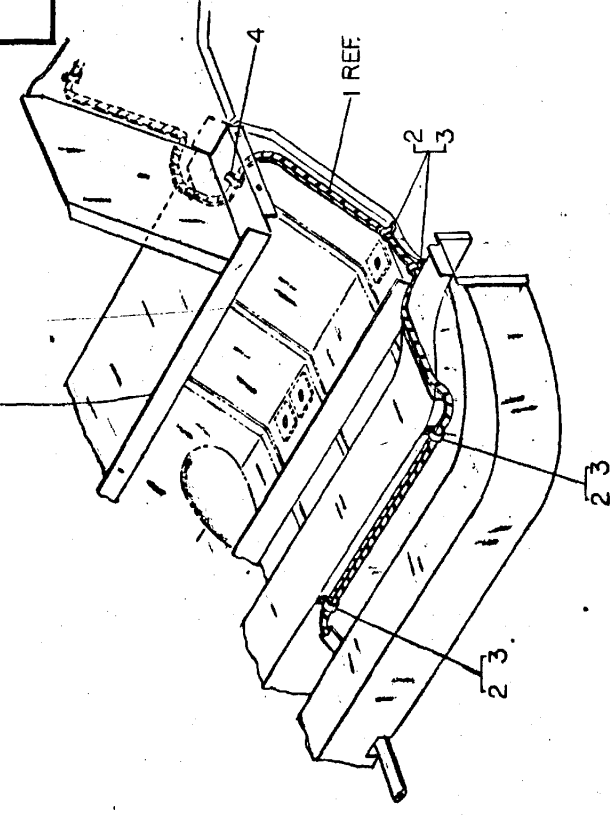
SHEET NO. 67B-2

SUPersedes G.I. 65A-1 PER MEMO #335

DATE	CHANGES
8-6-73	REVISED



VIEW IN DIRECTION OF ARROW 'B'



VIEW IN DIRECTION OF ARROW 'A' FOR REAR SEAT FORWARD

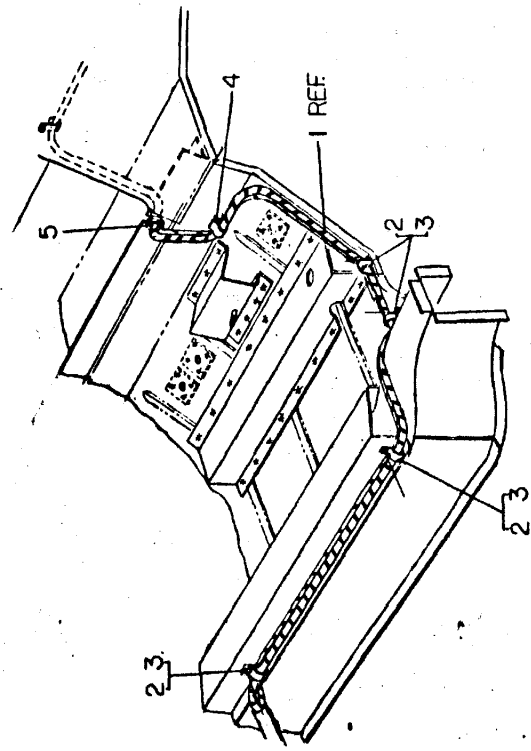
CHECKER MOTORS CORP. KALAMAZOO, MICH.

MODEL:	A-12	DATE	6-19-73	SHEET NO.	67 B-3
A-11	A-12E			DWN. BY	
A-11E				CHK.	
GRAPHIC ILLUSTRATION			APPVD. SUPERSEDES GI. 65A-2 PER MEMO #335		
BODY WIRING - HARNESS ROUTING					

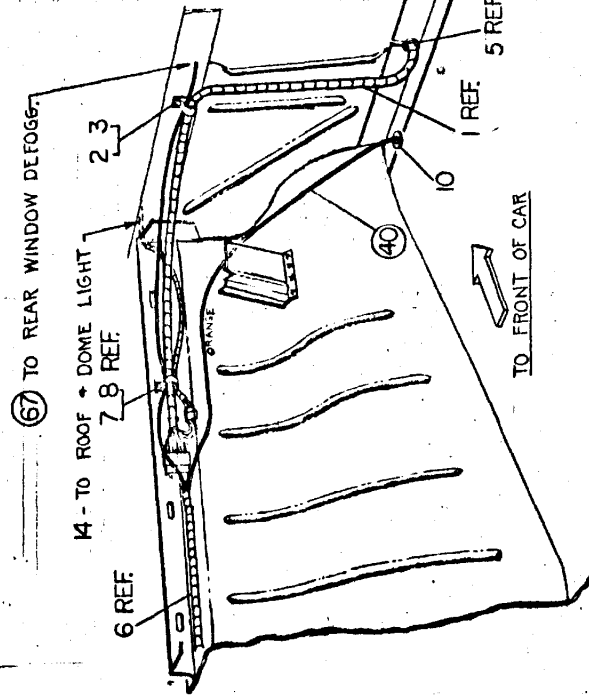
NO.	DESCRIPTION	WIRING	NOTES
1.	HARNES ASM. - BODY WIRING	WHITE	
2.	CLAMP - NYLON (10)	TAN	BACK-UP LIGHTS
3.	SCREW - 8-18 x 3/8 PHCR. (10)	LT. GREEN	LEFT TURN SIGNAL
4.	CLIP 3/16 SINGLE TUBE	RED	RIGHT TURN SIGNAL
5.	BUSHING - HEYCO (3)	BLACK	FEEDER - DOOR + LAMP SWITCHES
6.	HARNES ASM. - REAR LAMPS	BROWN	TELL TAIL LIGHTS
7.	CLIP - OPEN "J" TYPE (2)	YELLOW	ROOF LIGHT
8.	NUT 1/4-20 HEX. (2)	DR. GREEN	DOMES LIGHTS
9.	SEAL - USED TO HOLD WIRES DOWN (4)	ORANGE	TAIL, LICENSE + SIDE MARKER LIGHTS
10.	GROMMET	ORANGE	FUEL TANK GAUGE
11.	WIRE ASM. - REAR DOME LIGHT	BROWN	REAR WINDOW DEFROGGER OR REAR A/C
12.	WIRE ASM. - DR. DOME LIGHT (A-12 ONLY)	DR. BLUE	AUX.
13.	CABLE ASM. - ROOF + DOME LIGHT (A-11 ONLY)		
14.	HARNES ASM. ROOF + DOME LAMPS		

- 5
- 22
- 23
- 34
- 35
- 36
- 37
- 38
- 40
- 67
- 90

DATE	CHANGES
8-6-73	REVISED
9-17-73	82144 WWS 92569



VIEW IN DIRECTION OF ARROW A STD. SEAT



VIEW IN DIRECTION OF ARROW C

CHECKER MOTORS CORP. KALAMAZOO, MICH.

EFFECTIVE MODEL YEAR 1974

DWN. DESKS
CHK. 9/17

SHEET NO. 67 B-4

APPVD. SUPERSEDES 31-65 A-5 PER MEMO * 935

GRAPHIC ILLUSTRATION

BODY WIRING - WAGON

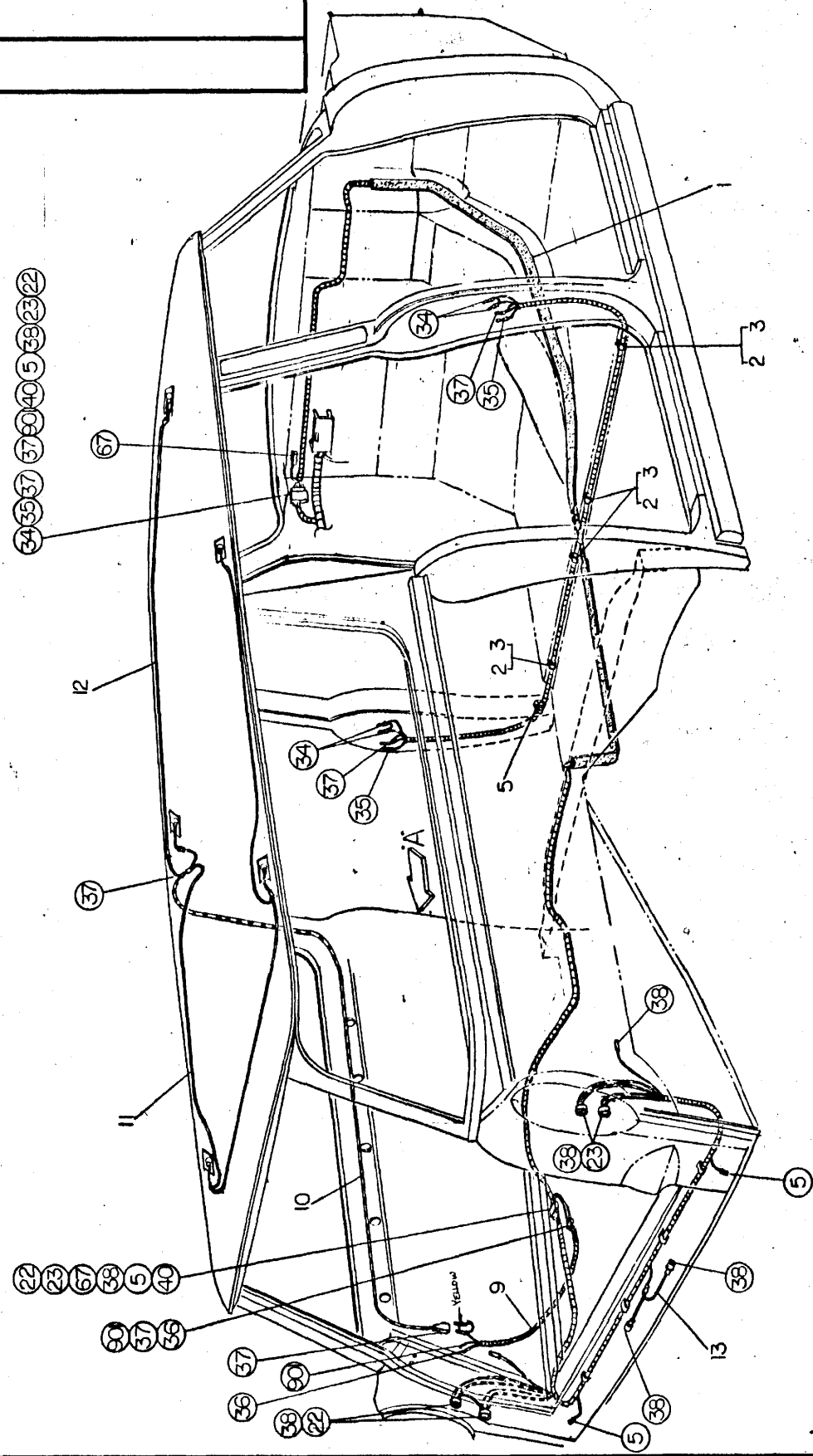
DATE

8-7-73

MODEL:

A-12W

DATE	CHANGES



CHECKER MOTORS CORP. KALAMAZOO, MICH.

EFFECTIVE MODEL YEAR 1974

SHEET NO. 67 B-5

DWN. 00000
CHK. - 00 2373

APPVD. SUPERSEDES G.I. 65A-5 PER MEMO # 335

GRAPHIC ILLUSTRATION

BODY WIRING - WAGON

DATE

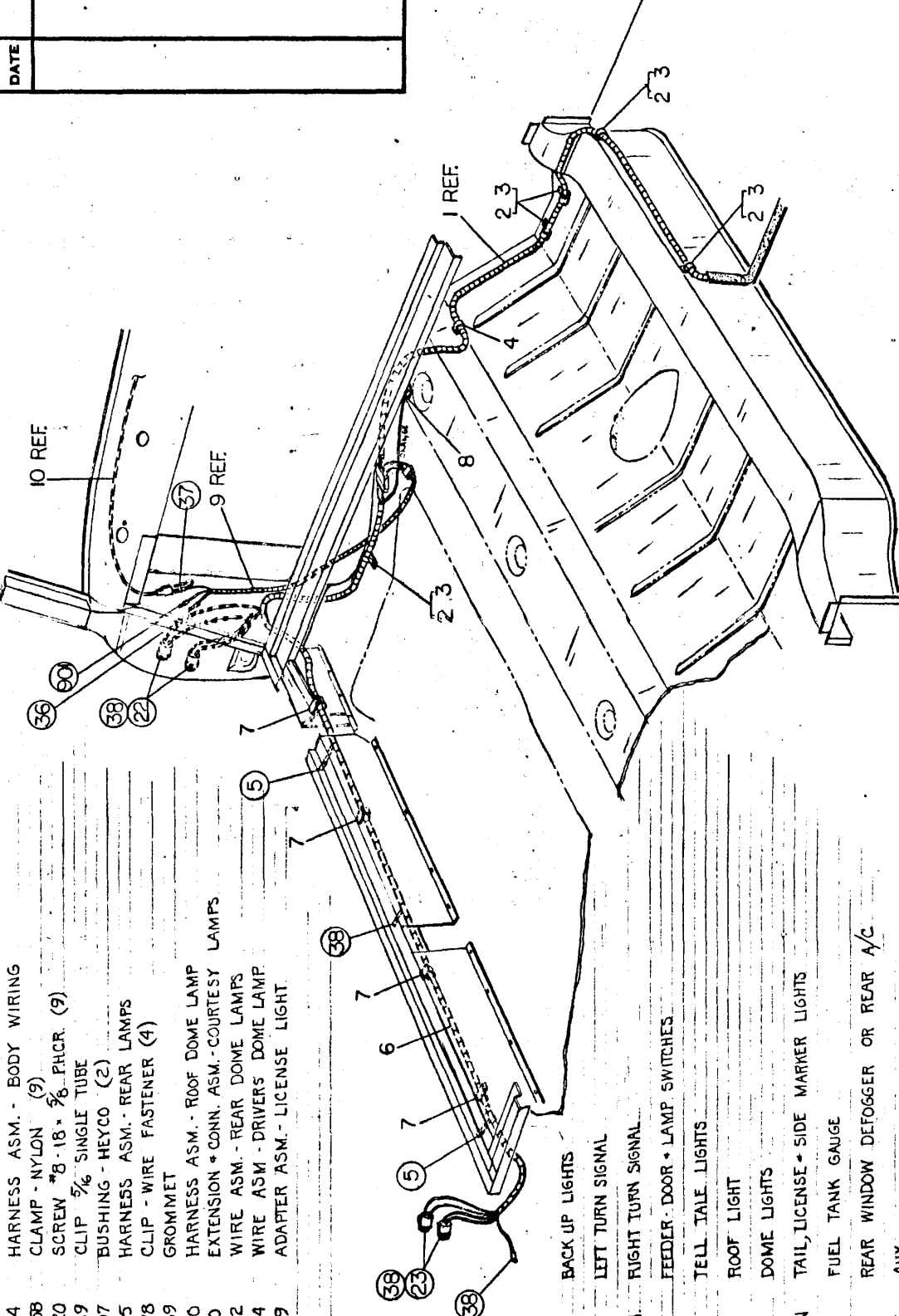
8-7-73

MODEL:

A-12W

1. 651714 HARNESS ASM. - BODY WIRING
2. 626858 CLAMP - NYLON (9)
3. 626920 SCREW #8-18 x 3/8 PHCR. (9)
4. 115269 CLIP 5/16 SINGLE TUBE
5. 626807 BUSHING - HEYCO (2)
6. 651715 HARNESS ASM. - REAR LAMPS
7. 626878 CLIP - WIRE FASTENER (4)
8. 634439 GROMMET
9. 651720 HARNESS ASM. - ROOF DOME LAMP EXTENSION + CONN. ASM. - COURTESY LAMPS
10. 651170 WIRE ASM. - REAR DOME LAMPS
11. 639872 WIRE ASM. - DRIVERS' DOME LAMP
12. 641404 ADAPTER ASM. - LICENSE LIGHT
13. 651139

DATE	CHANGES



- 5 WHITE BACK UP LIGHTS
- 22 TAN LEFT TURN SIGNAL
- 23 II GREEN RIGHT TURN SIGNAL
- 34 RED FEEDER DOOR + LAMP SWITCHES
- 35 BLACK TELL TAIL LIGHTS
- 36 BROWN ROOF LIGHT
- 37 YELLOW DOME LIGHTS
- 38 DK GREEN TAIL, LICENSE + SIDE MARKER LIGHTS
- 40 ORANGE FUEL TANK GAUGE
- 67 BROWN REAR WINDOW DEFOGGER OR REAR A/C
- 80 DK. BLUE AUX.

VIEW IN DIRECTION OF ARROW 'A'