

CHECKER MOTORS CORP. KALAMAZOO, MICH.

EFFECTIVE MODEL YEAR 1972

SHEET NO. 40 B-1

DWN. CHK. APPVD. SUPERSEDES G.I. 40A-9

GRAPHIC ILLUSTRATION

BATTERY INSTALLATION - FRONT MTD. 6 CYL.

DATE 8-16-73

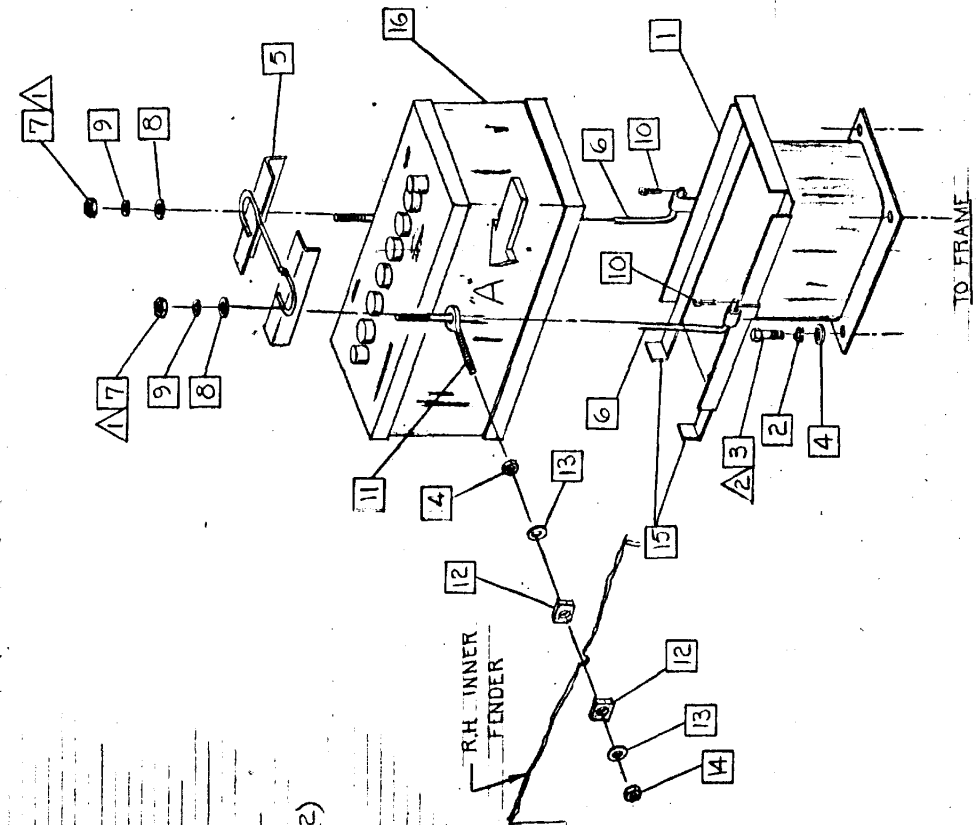
MODEL: B-12  
B-12E  
B-12W

1. SUPPORT ASM. - BATTERY COMPL.
2. L.W.  $\frac{1}{16}$  MED. SPRING (4)
3. BOLT  $\frac{1}{16}$  20 x  $\frac{1}{4}$  HEX. (4)
4. WASHER  $\frac{1}{16}$  I.D. x 1 O.D. (4)
5. HOLD DOWN - BATTERY
6. ROD - BATTERY HOLD DOWN (2)
7. NUT  $\frac{3}{16}$  24 HEX. (2)
8. WASHER  $\frac{3}{16}$  I.D. x  $\frac{5}{8}$  O.D. (2)
9. L.W.  $\frac{1}{16}$  MED. SPRING (2)
10. COTTER PIN  $\frac{3}{32}$  x  $\frac{1}{4}$  (2)
11. BOLT - EYE
12. SHIM - RAD. SUPT.  $\frac{1}{2}$  THK. (2)
13. WASHER  $\frac{1}{16}$  I.D. x  $1\frac{1}{2}$  O.D. (2)
14. NUT  $\frac{5}{16}$  18 HEX JAM. (2)

80-OR 90 AMP. } CLEAT - BATT. TRAY (2)

80 AMP } BATTERY

DATE	CHANGES



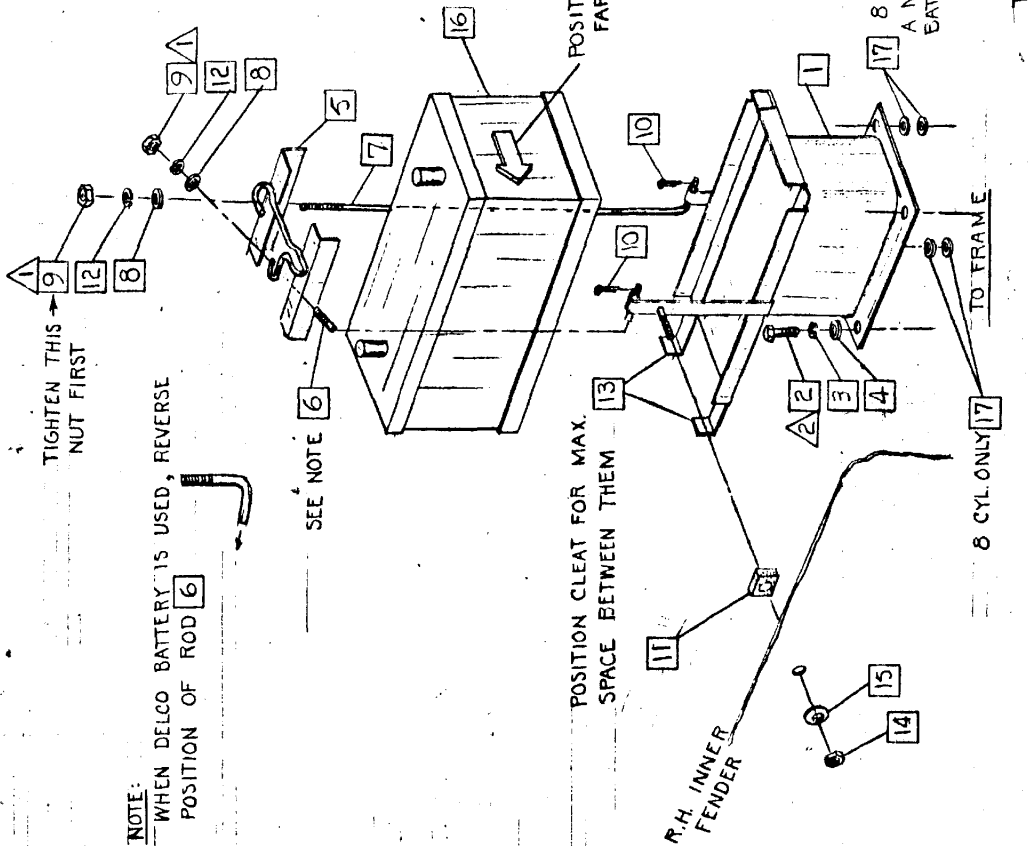
① 5-8 FT. LBS. TORQUE  
② 40-45 FT. LBS. TORQUE

CHECKER MOTORS CORP. KALAMAZOO, MICH.

EFFECTIVE MODEL YEAR 1974

MODEL:	B-12	DATE	B-12WB	8-16-73
B-11	B-12E	B-12WB		
B-11E	B-12W			
GRAPHIC ILLUSTRATION		APPVD.		
BATTERY INSTALLATION - FRONT MTD. 8 CYL.				
SHEET NO. 40 B-2		CHANGES		

1. 701892 SUPT. ASSEM. - BATTERY COMPLETE
2. 181668 BOLT  $\frac{7}{16}$  - 20 x  $1\frac{1}{4}$  HEX. (4)
3. 120383 L.W.  $\frac{7}{16}$  MED. SPRING (4)
4. 120386 WASHER  $\frac{7}{16}$  I.D. x 1 O.D. (4)
5. 701909 HOLD-DOWN ASSEM. - BATTERY
6. 704059 ROD - BATT. HOLD DOWN - OUTER
7. 706349 ROD - BATT. HOLD DOWN
8. 446363 WASHER  $\frac{3}{8}$  I.D. x  $\frac{3}{8}$  O.D. (2)
9. 120368 NUT  $\frac{3}{16}$  - 24 HEX. (2)
10. 121222 COTTER PIN  $\frac{3}{32}$  x  $\frac{3}{4}$  (2)
11. 640597 SHIM - RAD. SUPT.  $\frac{1}{2}$  THK
12. 120214 L.W.  $\frac{3}{16}$  MED. SPR. (2)
13. 94555 CLEAT - BATT. TRAY
14. 120576 NUT  $\frac{5}{16}$  - 18 HEX.
15. 626504 WASHER  $\frac{1}{32}$  I.D. x  $1\frac{1}{2}$  O.D. CROWN
16. 701992 BATTERY - 80 AMP.
17. 706237 SPACER - UPPER CONTROL ARM. (2)



▲ 5 - 8 FT. LBS. TORQUE  
 ▲ 40 - 45 FT. LBS. TORQUE

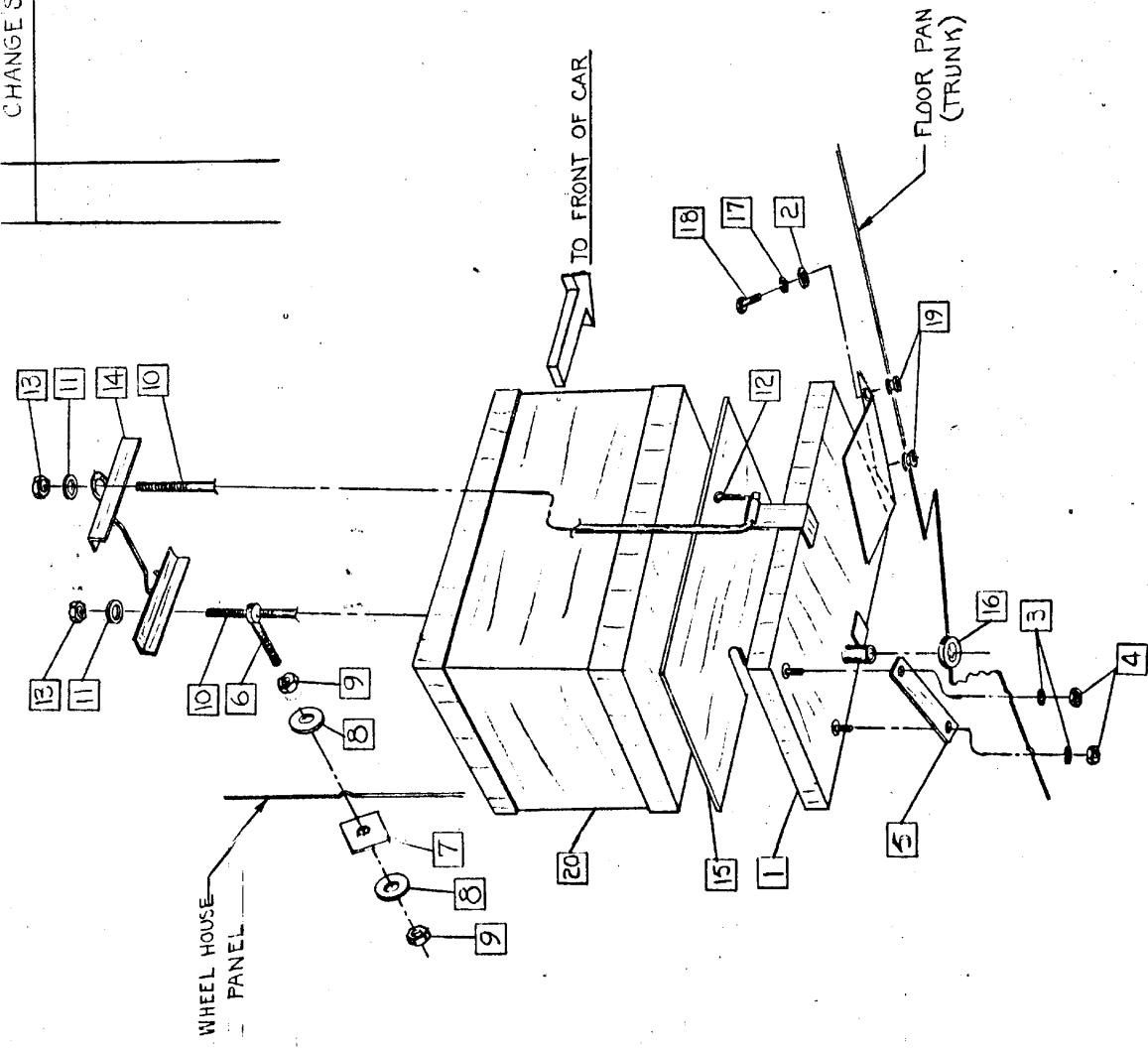
TO FRONT OF CAR

CHECKER MOTORS CORP. KALAMAZOO, MICH.

EFFECTIVE MODEL YEAR 1972

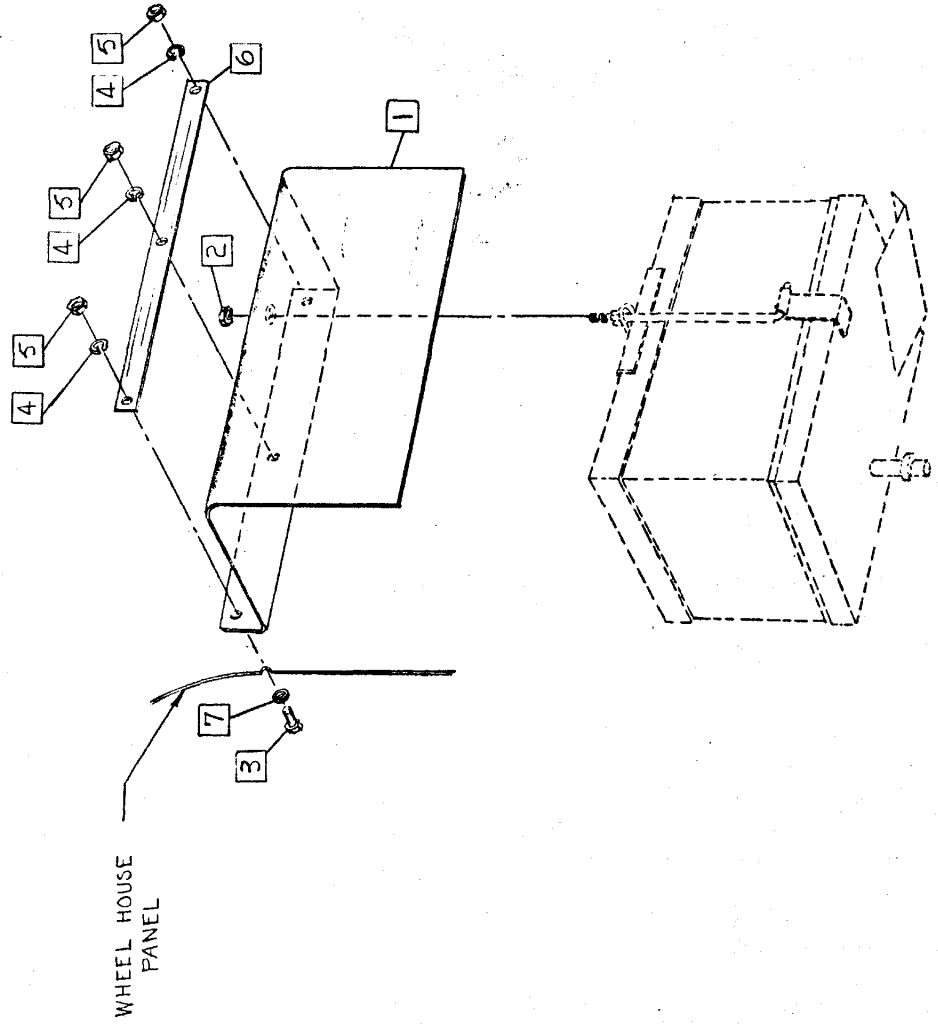
MODEL:	B-12	DATE	6-16-73
B-11	B-12E		
B-11E			
GRAPHIC ILLUSTRATION		SHEET NO. 40B-3	
BATTERY INSTALLATION - REAR MTD.		SUPERSEDES G.I. 40A-2	
DWN. BY	CHK.	APPVD.	CHANGES

1. 95283 TRAY ASSEM. - BATTERY
2. 120392 WASHER  $\frac{3}{32}$  ID.  $\times \frac{7}{8}$  O.D. (2)
3. 120214 L.W.  $\frac{3}{16}$  MED. SPRING (2)
4. 120376 NUT  $\frac{3}{16}$ -18 HEX (2)
5. 94716 STRIP - BATT. TRAY
6. 70196 BOLT
7. 640597 SHIM.
8. 446477 WASHER  $\frac{7}{16}$  ID.  $\times 1\frac{1}{8}$  O.D. (2)
9. 124824 NUT  $\frac{7}{16}$ -18 HEX JAM. (2)
10. 94489 ROD - BATT. HOLD DOWN (2)
11. 446363 WASHER  $\frac{3}{8}$  ID.  $\times \frac{7}{8}$  O.D. (2)
12. 121222 COTTER PIN  $\frac{3}{32} \times \frac{3}{4}$  (2)
13. 120366 NUT  $\frac{5}{16}$ -24 HEX. (2)
14. 95027 HOLD DOWN ASSEM.
15. 94722 PAD - BATTERY TRAY
16. 702324 GROMMET
17. 120380 L.W.  $\frac{1}{4}$  MED. SPRING (2)
18. 120854 BOLT  $\frac{1}{4}$ -20  $\times \frac{3}{8}$  HEX. 2
19. 626448 JACKNUT  $\frac{1}{4}$ -20 (2)
20. 701992 BATTERY - 80 AMP.



MODEL: B-11 B-11E	DATE	SHEET NO. 40 B-4
	8-16-73	
GRAPHIC ILLUSTRATION		APPVD. SUPERSEDES GI. 40A-4
BATTERY SHIELD - REAR		

- 1. 97368 COVER ASSEM. - REAR MTD. BATTERY
- 2. 131501 NUT  $\frac{3}{16}$  - 24 LOW CROWN
- 3. 120854 BOLT  $\frac{1}{4}$  - 20 x  $\frac{5}{8}$  HEX (3)
- 4. 120380 L.W.  $\frac{1}{4}$  MED. SPRING (3)
- 5. 120375 NUT  $\frac{1}{4}$  - 20 HEX. (3)
- 6. 98066 STRIP - REAR MTD. BATTERY
- 7. 626930 WASHER + SEALER ASM.  $\frac{3}{8}$  OD.(3)



~	120854 + 626930 WERE
7-31-74	626543
Date	CHANGE

CHECKER MOTORS CORP. KALAMAZOO, MICH.

EFFECTIVE MODEL YEAR 1972

GRAPHIC ILLUSTRATION

SHEET NO. 40B-5

DWN. DESIGN  
CHK.

BATTERY - REAR MTD - SPLIT CABLE

APPROV. SUPERSEDES G.I. 40A-5

DATE

8-16-73

MODEL:

B-11  
B-11E

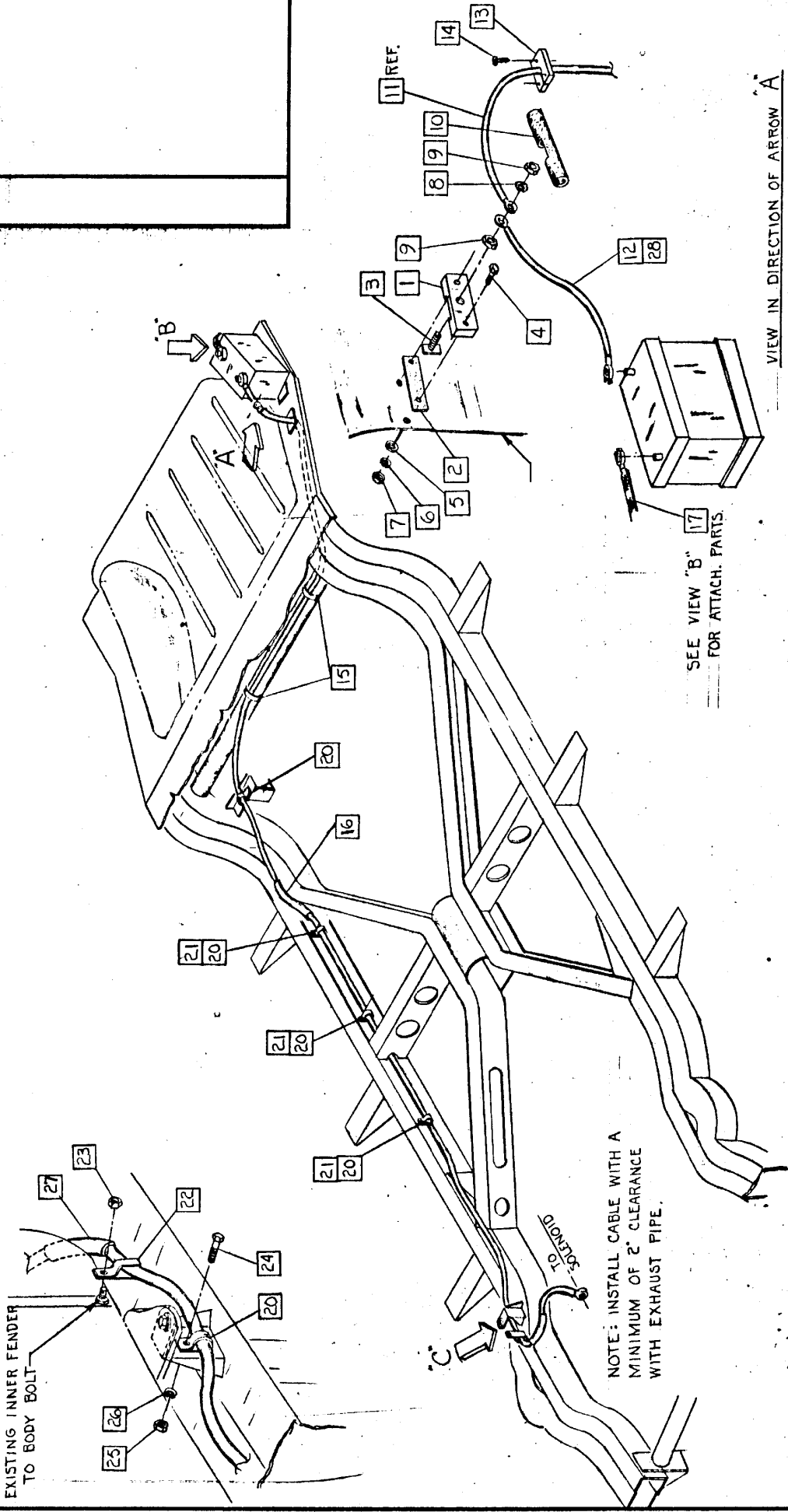
VIEW IN DIRECTION OF ARROW 'C'

PART NO'S ON G.I. 40B-6

DATE

CHANGES:

EXISTING INNER FENDER  
TO BODY BOLT



NOTE: INSTALL CABLE WITH A  
MINIMUM OF 2" CLEARANCE  
WITH EXHAUST PIPE.

SEE VIEW "B"  
FOR ATTACH. PARTS.

VIEW IN DIRECTION OF ARROW 'A'

CHECKER MOTORS CORP. KALAMAZOO, MICH.

EFFECTIVE MODEL YEAR 1974

SHEET NO. 40B-6

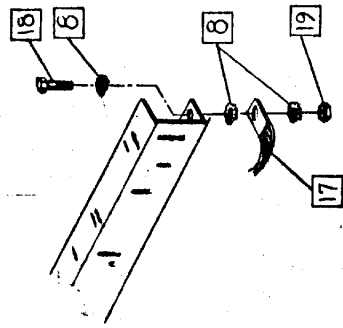
DWN. SERVICE  
CHK. SUPERSEDES G.I. 40A-6  
APPVD.

DATE 8-16-73  
GRAPHIC ILLUSTRATION  
BATTERY - REAR MTD - SPLIT CASE

MODEL:  
B-II  
B-IIIE

DATE	CHANGES

1. 702834 BLOCK - BATTERY CABLE JUNCTION
2. 702837 SPACER - BATTERY CABLE JUNC. BLOCK
3. 701698 BOLT ASM. - BATTERY CABLE JUNCTION
4. 123461 BOLT 1/4-28 x 1 HEX. (2)
5. 120392 WASHER 3/32 ID. x 3/8 O.D. (2)
6. 120380 L.W. 1/4 MED. SPRING. (2)
7. 120367 NUT 1/4-28 HEX. (2)
8. 178551 L.W. 3/8 INT. EXT. TOOTH (4)
9. 124925 NUT 3/8-24 HEX JAM. (2)
10. 702836 BOOT - BATTERY CABLE JUNCTION
11. 701699 CABLE ASM. - SOL. SW. TO JUNC. BLOCK
12. 701700 CABLE ASM. - JUNC. BLOCK TO BATT. (B-II ONLY)
13. 94719 INSULATOR - BATTERY CABLE FLOOR
14. 162009 SCREW #12 x 3/4 PAN HD. (3)
15. 80345 CLAMP ASM. - BRAKE + FUEL LINE (2)
16. 636909 LOOM - REFRIG. TUBING 6" LG.
17. 95278 STRAP ASM. - BATTERY GRD. - REAR MTD.
18. 181637 BOLT 3/8-24 x 1 HEX.
19. 120369 NUT 3/8-24 HEX.
20. 702221 CLAMP 1/2 CLOSED (5)
21. 626912 SCREW 3/8-18 x 1/4 HEX. (3)
22. 626532 CLIP 1/2 DOUBLE
23. 271172 NUT - LW. ASM. - 1/4-20 HEX.
24. 181595 BOLT 3/8-24 x 3/4 HEX.
25. 120368 NUT 3/8-24 HEX.
26. 120214 L.W. 3/8 MED. SPRING
27. 706228 PROTECTOR - REAR MTD. BATTERY
28. 705314 CABLE ASM. - JUNC. BLOCK TO BATT. (B-IIIE ONLY)



VIEW IN DIRECTION OF ARROW "B"