

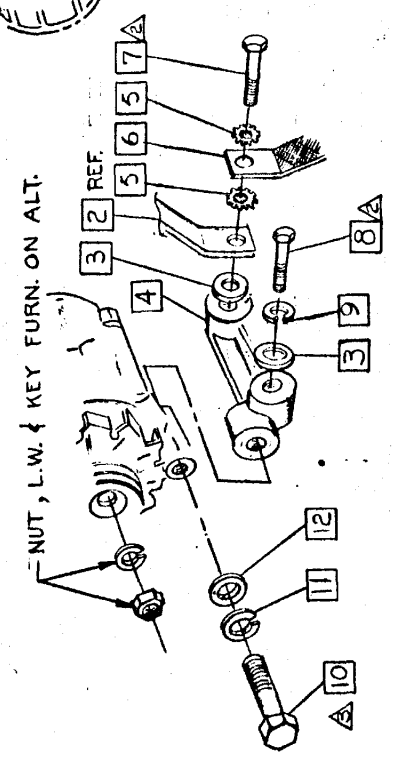
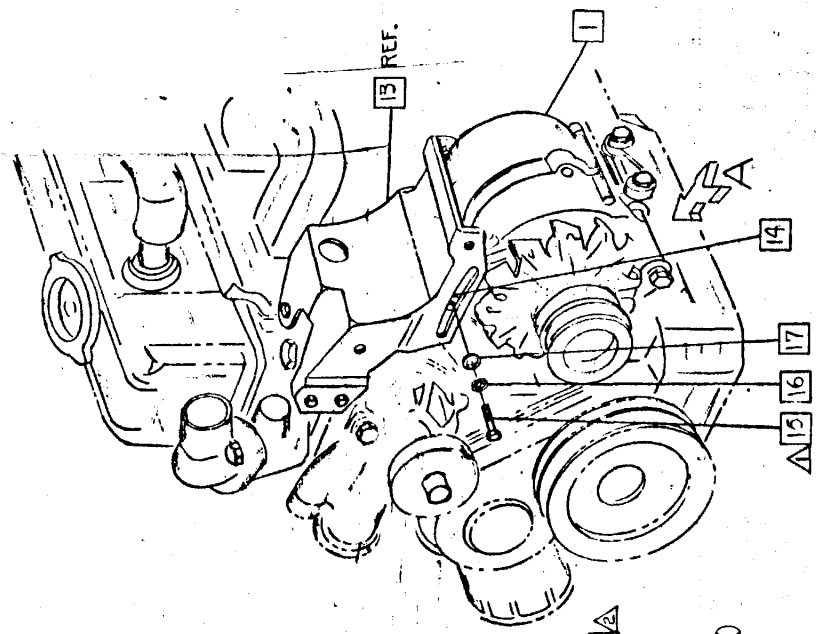
CHECKER MOTORS CORP. KALAMAZOO, MICH.

EFFECTIVE MODEL YEAR 1974

MODEL: B-11 B-11E	DATE	DWN. DRAWING	SHEET NO. 30 B-1
B-12 B-12E	B-15-73	CHK.	
B-12W		APPVD. SUPERSEDES G.I. 30 A-1	CHANGES

▲ 14-22 LBS. FT. TORQUE
 ▲ 20-27 LBS. FT. TORQUE

- 1. 705422 ALTERNATOR ASM. - H.D. (55 AMP)
- 2. 705271 BRACE + SHIELD ASM. - P/S
- 3. 702262 WASHER $\frac{1}{2}$ ID. x $\frac{3}{4}$ OD. (2)
- 4. 702944 BRACKET - ALT. MITG.
- 5. 178551 L.W. $\frac{3}{8}$ INT. EXT. (2)
- 6. 706295 STRAP - ENG. GRD.
- 7. 180126 BOLT $\frac{3}{8}$ -16 x $1\frac{1}{2}$ HEX.
- 8. 180134 BOLT $\frac{3}{8}$ -16 x $2\frac{1}{2}$ HEX.
- 9. 120382 L.W. $\frac{3}{8}$ MED. SPR. ()
- 10. 181707 BOLT $\frac{1}{2}$ -20 x $2\frac{1}{4}$ HEX.
- 11. 120384 L.W. $\frac{1}{2}$ MED. SPR.
- 12. 120396 WASHER $\frac{1}{2}$ ID. x $1\frac{1}{8}$ OD.
- 13. 703808 BRACKET ASM. - HYD. STRG. PUMP
- 14. 704884 SPACER - ALT. MITG. UPPER
- 15. 180080 BOLT $\frac{3}{4}$ -18 x $1\frac{1}{2}$
- 16. 120214 L.W. $\frac{3}{16}$ MED. SPRING
- 17. 702308 WASHER $\frac{1}{2}$ ID. x $\frac{3}{8}$ OD. x $\frac{1}{8}$



NUT, L.W. & KEY FURN. ON ALT.

VIEW IN DIRECTION OF ARROW 'A'

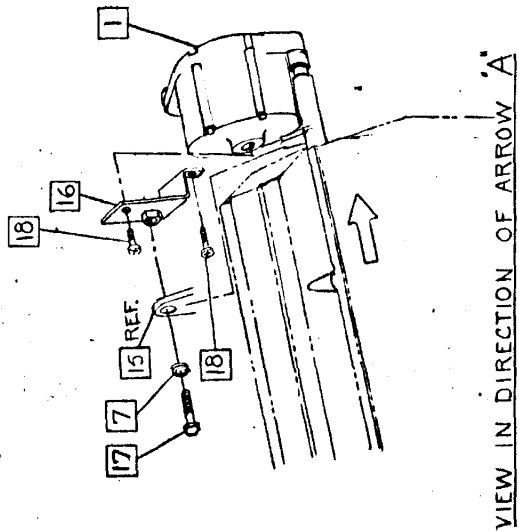
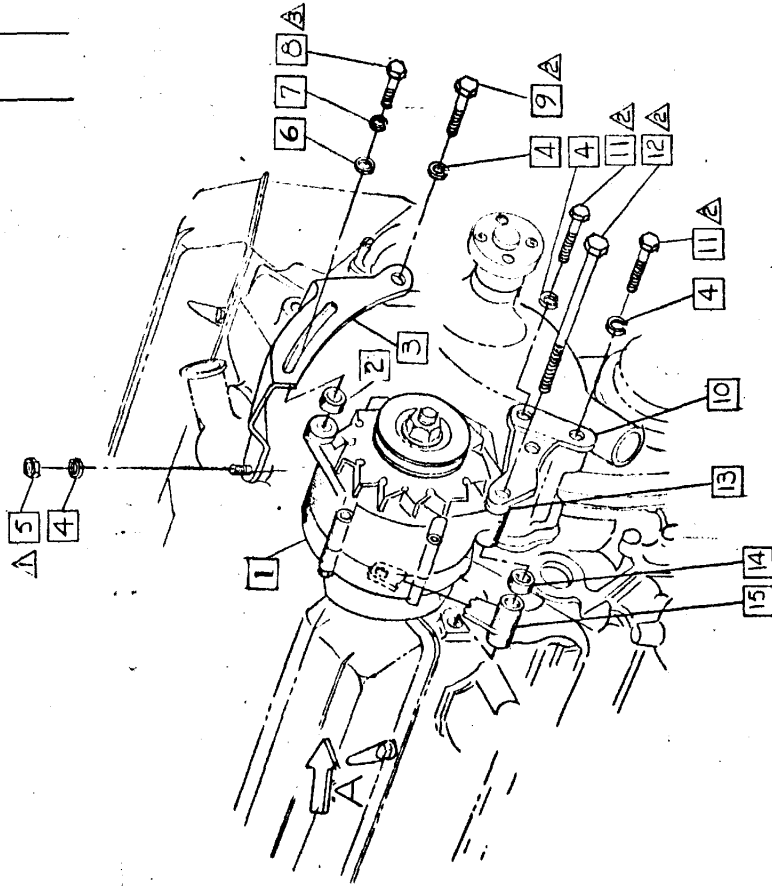
CHECKER MOTORS CORP. KALAMAZOO, MICH.

EFFECTIVE MODEL YEAR 1974

MODEL:	E-11	B-11E	DATE
	B-12	B-12E	8-15-73
	B-12W	B-12W5	
DWN. I. C. S. P.		SHEET NO. 30 B-2	
CHK.		APPVD. SUPERSEDES G1 30A-2	
GRAPHIC ILLUSTRATION		CHANGES	
ALTERNATOR INSTALLATION 6 CYL.		11-21-73 705422 W/5 703897	

- △ 18-22 LBS. FT. TORQUE
- △ 20-30 LBS. FT. TORQUE
- △ 8-12 LBS. FT. TORQUE

1. 705422 ALTERNATOR ASM - H. D.
2. 702262 WASHER $\frac{1}{2}$ I.D. $\times \frac{3}{4}$ O.D. $\times \frac{1}{8}$
3. 706115 BRACE - FRONT (FURN IN KIT)
4. 120382 L.W. $\frac{3}{8}$ MED. SPR. (4)
5. 120377 NUT $\frac{3}{8}$ - 16 HEX.
6. 702908 WASHER $\frac{1}{2}$ I.D. \times 1 O.D.
7. 120214 L.W. $\frac{5}{16}$ M.L.D. SPR. (2)
8. 180080 BOLT $\frac{3}{16}$ - 18 \times $1\frac{1}{8}$ HEX.
9. 180120 BOLT $\frac{3}{8}$ - 16 $\times \frac{3}{4}$ HEX.
10. 706496 BRACKET (FURN IN KIT)
11. 180122 BOLT $\frac{3}{8}$ - 16 \times 1 HEX. (2)
12. 704550 BOLT $\frac{3}{8}$ - 16 \times 6 HEX. (FURN IN KIT)
13. 702419 ADAPTER
14. 702419 SPACER
15. 705005 BRACE ASM.
16. 703417 BRACKET ASM.
17. 273890 SCREW $\frac{3}{16}$ - 18 $\times \frac{3}{8}$
18. 274105 SCREW $\#10$ - 24 $\times \frac{3}{8}$ (2)



VIEW IN DIRECTION OF ARROW 'A'

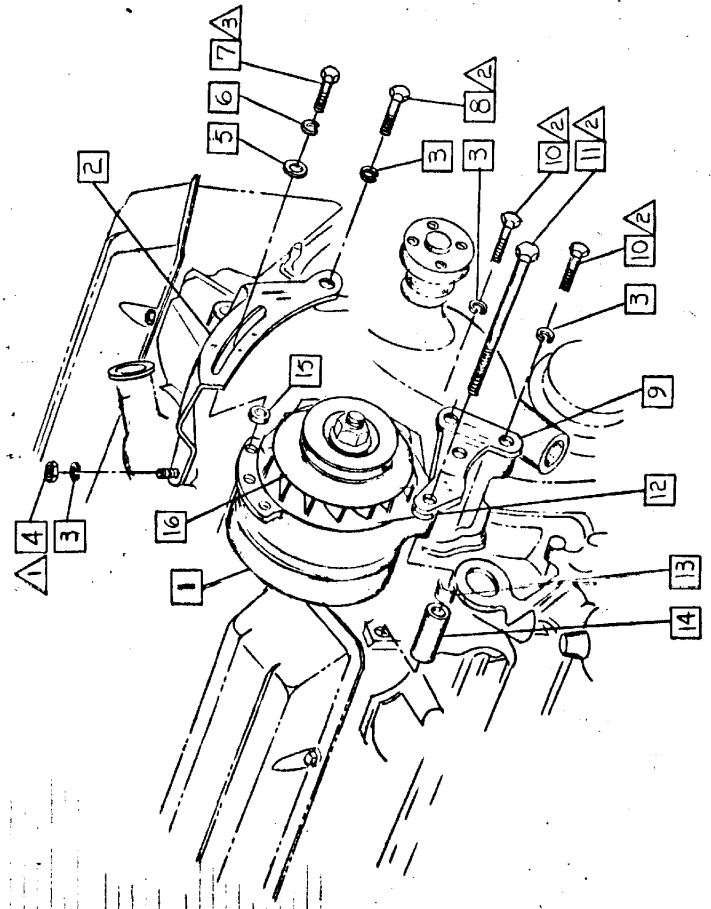
CHECKER MOTORS CORP. KALAMAZOO, MICH.

EFFECTIVE MODEL YEAR 1974

MODEL:	B-12WB	DATE:	8-16-73
DWN. DESIG.		SHEET NO.	30B-3
CHK.		APPVD.	SUPERSEDES G.I. 30A-3

DATE	CHANGES
9-12-73	706496 Was 704526

- 1. 703689 ALTERNATOR ASM. - 60 AMP.
- 2. 706115 BRACE - ALT. FRT.
- 3. 120382 LW. $\frac{3}{8}$ MED. SPR. (4)
- 4. 120377 NUT $\frac{3}{8}$ -16 HEX.
- 5. 702908 WASHER $\frac{1}{2}$ I.D. x 1 O.D.
- 6. 120214 LW. $\frac{5}{16}$ MED. SPR.
- 7. 180050 BOLT $\frac{3}{8}$ -18 x $1\frac{1}{8}$ HEX.
- 8. 180120 BOLT $\frac{3}{8}$ -16 x $\frac{3}{4}$ HEX.
- 9. 706496 BRACKET - GEN. FRT.
- 10. 180122 BOLT $\frac{3}{8}$ -16 x 1 (2)
- 11. 704550 BOLT $\frac{3}{8}$ -16 x 6 HEX.
- 12. 702418 ADAPTER - ALT. MTG. BOLT.
- 13. 702419 SPACER - ALT. MTG. BOLT
- 14. 704763 SPACER - ALT. MTG. BOLT
- 15. 702262 WASHER $\frac{1}{2}$ I.D. x $\frac{3}{4}$ OD x $\frac{1}{8}$
- 16. 704764 FAN - ALT. 5"



- \triangle 18 - 22 FT. LBS. TORQUE
- \triangle 20 - 30 FT. LBS. TORQUE
- \triangle 8 - 12 FT. LBS TORQUE