

CHECKER MOTORS CORP. KALAMAZOO, MICH.

MODEL: B-12
B-12E
B-12W

DWN. DEKKER
CHK.

GRAPHIC ILLUSTRATION

DATE
7-25-73

SHEET NO. 16B-1

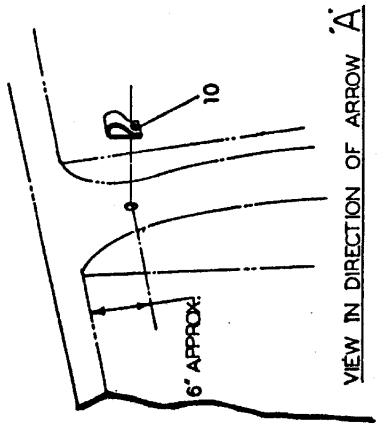
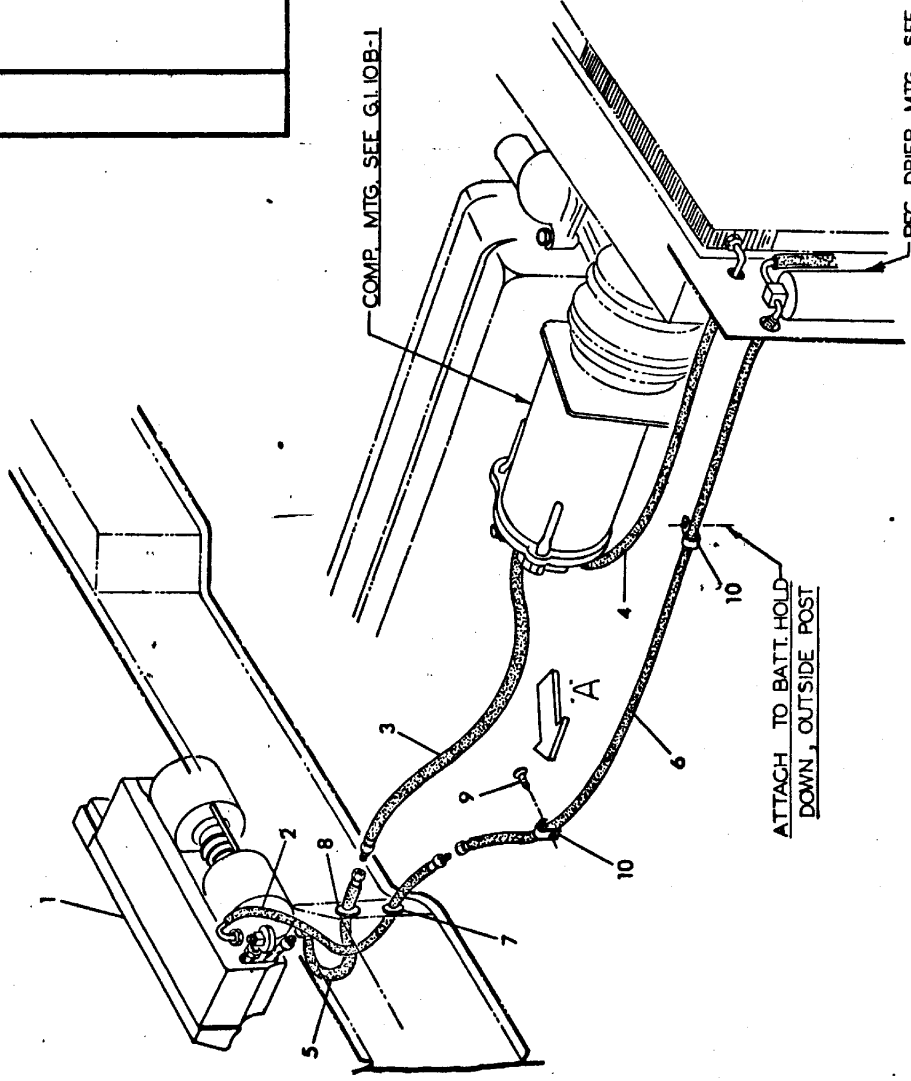
AIR COND. HOSES + TUBES - 6 CYL. FRT.

SUPERSEDES G.I. 16A-12

1. 647895 EVAPORATOR ASM. - AIR COND. COMPL.
2. 701266 HOSE ASM. - EVAP TO HOSE 1/2 I.D.
3. 701793 HOSE ASM. - COMP. TO EVAP. 1/2 I.D.
4. 645313 HOSE ASM. - COMP. TO COND. 3/32 I.D.
5. 701268 HOSE ASM. - EVAP. TO HOSE 3/16 I.D.
6. 645300 HOSE ASM. - REC. DRIER TO EVAP. 3/16 I.D.
7. 702376 GROMMET 3/4 x 1
8. 626556 GROMMET 1 x 1 3/4
9. 626456 SCREW + WASHER ASM. * 8 x 3/4
10. 702221 CLAMP (2)

DATE

CHANGES



VIEW IN DIRECTION OF ARROW 'A'

REC. DRIER MTG. SEE G.I. 12B-1
FORM NO. EN 428M

CHECKER MOTORS CORP. KALAMAZOO, MICH.

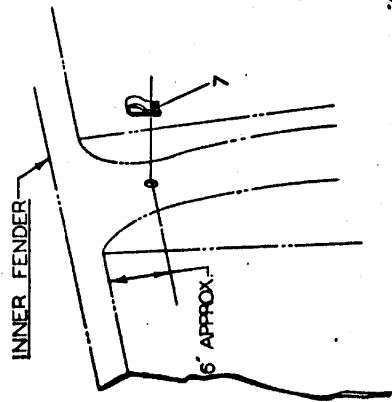
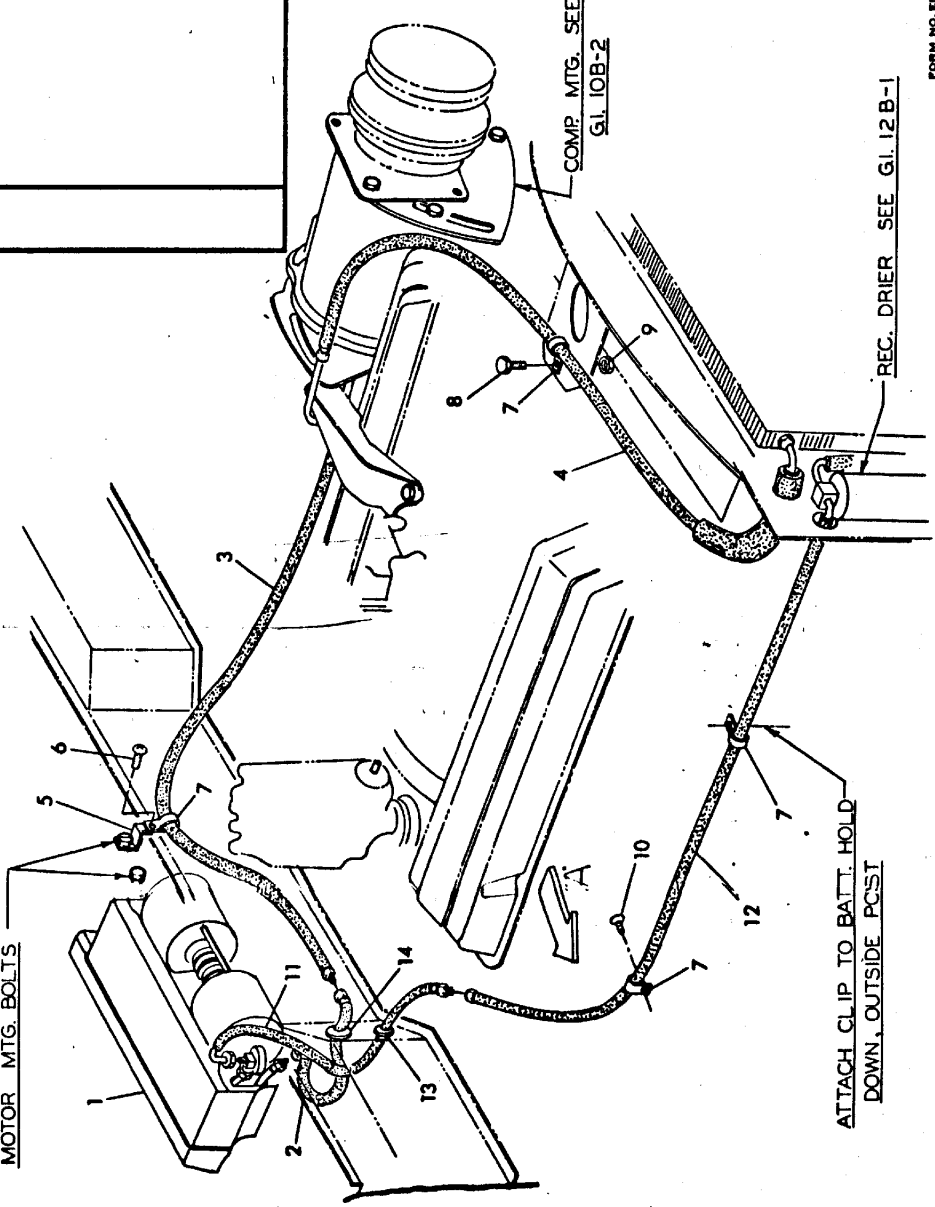
MODEL:	B-12	DATE		SHEET NO.	16 B-2
	B-12E	7-25-73		DWN.	VERREK
	B-12W			CHK.	
AIR COND. - HOSES + TUBES - 6 CYL. FRT.			SUPERSEDES G.I. 16 A-13		

CHANGES	DATE

GRAPHIC ILLUSTRATION

1. 647895 EVAPORATOR ASM - AIR COND. COMPL.
2. 701266 HOSE ASM. - EVAP. TO HOSE 1/2 I.D.
3. 647363 HOSE ASM. - COMP. TO EVAP. 1/2 I.D.
4. 647394 HOSE ASM. - COMP. TO COND. 3/32 I.D.
5. 703730 BRACKET ASM.
6. 189129 SCREW 1/4-20 x 3/8
7. 702221 CLAMP (4)
8. 120706 BOLT 1/4-20 x 1/2 HEX.
9. 271172 NUT + L.W. ASM. - 1/4-20 HEX.
10. 626456 SCREW + WASHER ASM. *8 x 3/4
11. 701268 HOSE ASM. - EVAP. TO HOSE 3/16 I.D.
12. 645300 HOSE ASM. - REC. DRIER TO EVAP.
13. 702376 GROMMET 3/4 * 1
14. 626556 GROMMET 1 * 1 3/4

EXISTING W/S WIPER MOTOR MTG. BOLTS



ATTACH CLIP TO BATT. HOLD DOWN, OUTSIDE POST

CHECKER MOTORS CORP., KALAMAZOO, MICH.

GRAPHIC ILLUSTRATION

MODEL: A-11E A-12E
DATE: 7-25-75

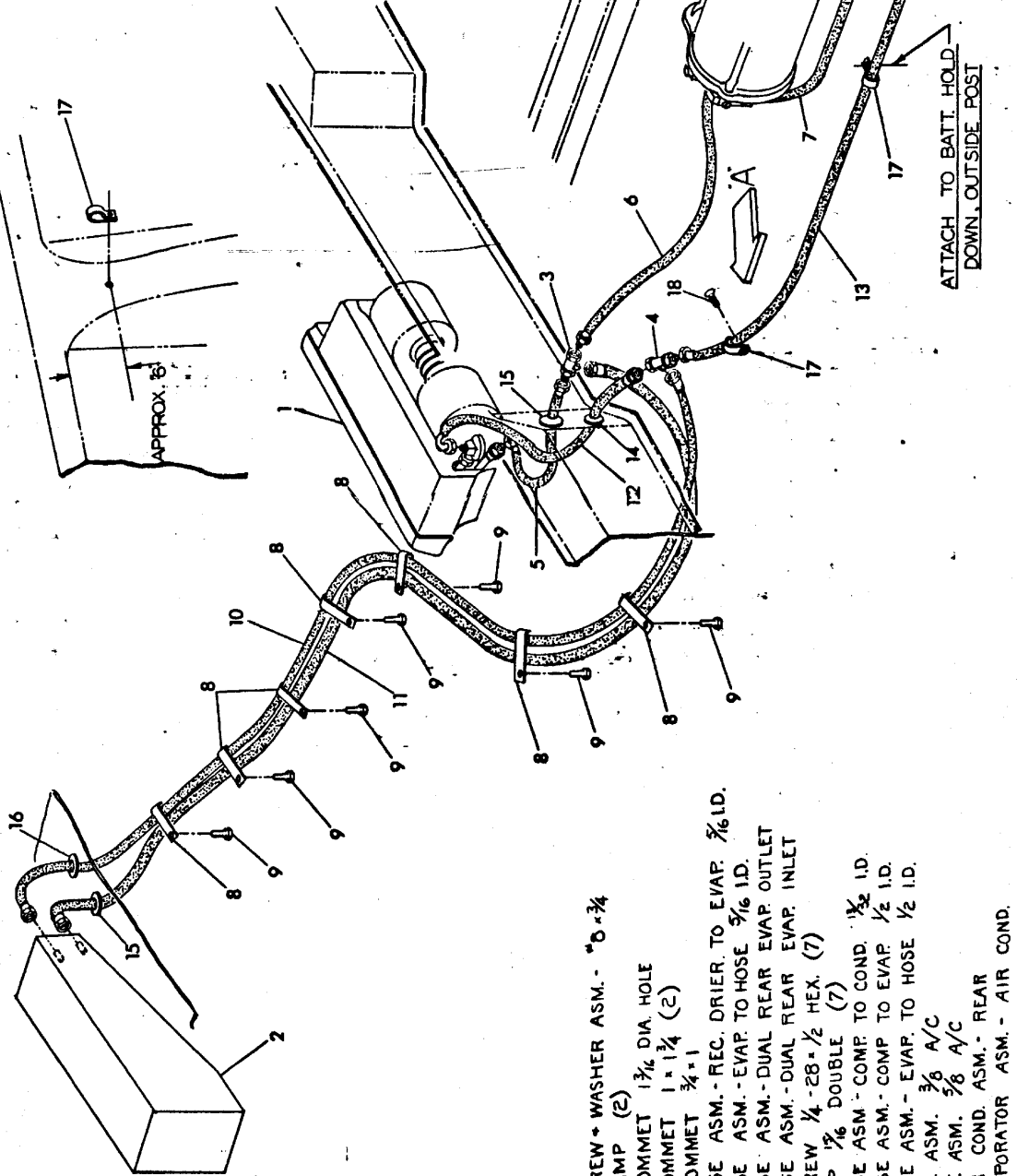
DWN. Dekker
CHK. SUPERSEDES G.I. 16 A-24
SHEET NO. 16 B-3

AIR COND. HOSES & TUBES 6 CYL. DUAL

VIEW IN DIRECTION OF ARROW A

CHANGES

DATE



COMP. SEE G.I. 10 B-1

REC. DRIER
SEE G.I. 12 B-1

ATTACH TO BATT. HOLD
DOWN, OUTSIDE POST

FORM NO. EN 428M

- 18. 626456 SCREW & WASHER ASM. - $8 \times \frac{3}{4}$
- 17. 702221 CLAMP (2)
- 16. 626514 GROMMET $1\frac{3}{4}$ DIA. HOLE
- 15. 626556 GROMMET $1 \times 1\frac{1}{4}$ (2)
- 14. 702376 GROMMET $\frac{3}{4} \times 1$
- 13. 645300 HOSE ASM. - REC. DRIER TO EVAP. $\frac{3}{16}$ I.D.
- 12. 701268 HOSE ASM. - EVAP. TO HOSE $\frac{3}{16}$ I.D.
- 11. 645783 HOSE ASM. - DUAL REAR EVAP. OUTLET
- 10. 645782 HOSE ASM. - DUAL REAR EVAP. INLET
- 9. 448655 SCREW $\frac{1}{4} - 28 \times \frac{1}{2}$ HEX. (7)
- 8. 626532 CLIP $\frac{3}{16}$ DOUBLE (7)
- 7. 645313 HOSE ASM. - COMP TO COND. $\frac{1}{32}$ I.D.
- 6. 701793 HOSE ASM. - COMP TO EVAP. $\frac{1}{2}$ I.D.
- 5. 701266 HOSE ASM. - EVAP. TO HOSE $\frac{1}{2}$ I.D.
- 4. 635610 TEE ASM. $\frac{3}{8}$ A/C
- 3. 635609 TEE ASM. $\frac{3}{8}$ A/C
- 2. 651584 AIR COND. ASM. - REAR
- 1. 647906 EVAPORATOR ASM. - AIR COND.

CHECKER MOTORS CORP., KALAMAZOO, MICH.

EFFECTIVE MODEL YEAR 1974

MODEL: A-12E
 A-11E

DATE: 7-25-73

GRAPHIC ILLUSTRATION

AIR COND. HOSES + TUBES - 5 C-1 DUAL

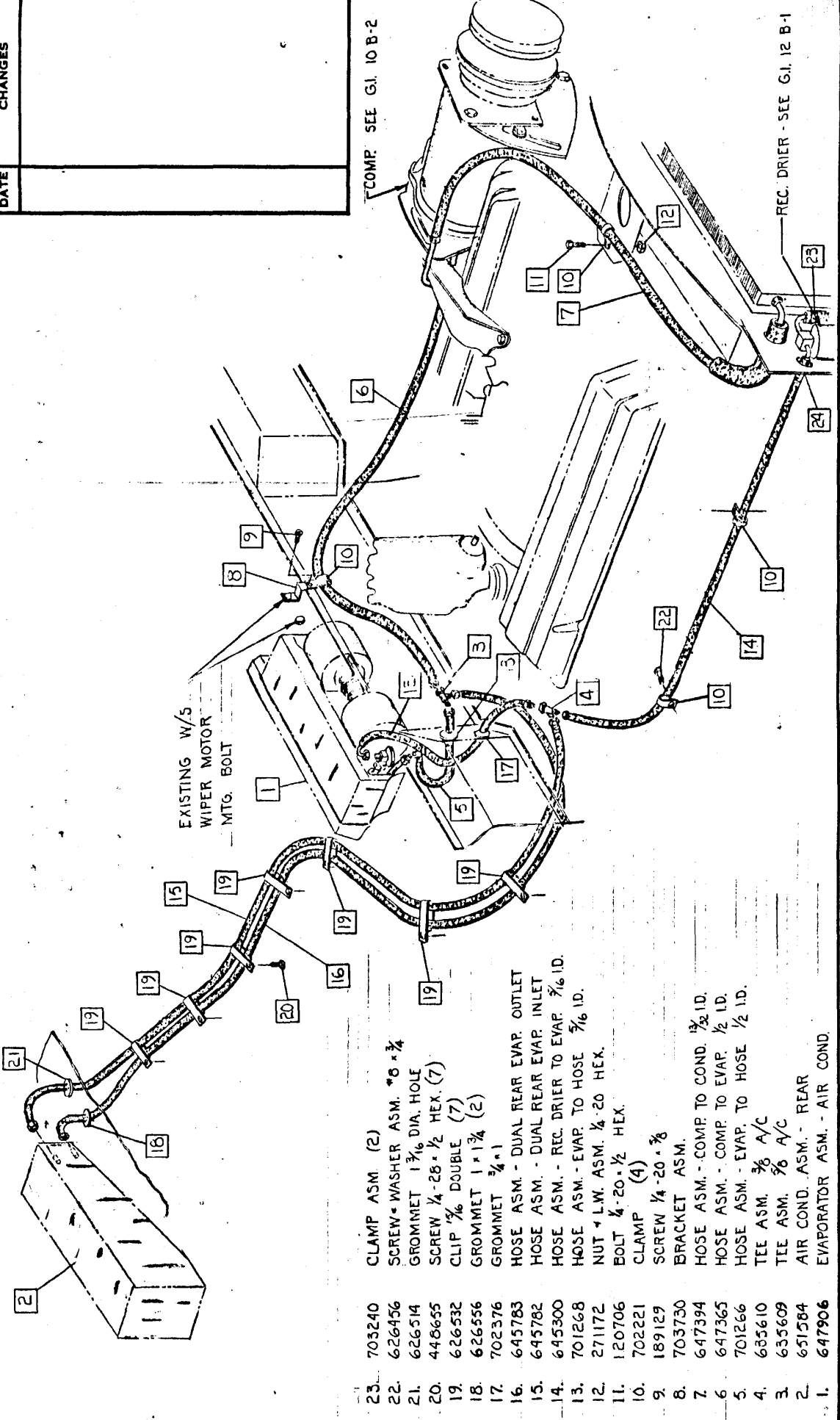
MODEL: A-12E
 A-11E

DATE: 7-25-73

GRAPHIC ILLUSTRATION

AIR COND. HOSES + TUBES - 5 C-1 DUAL

DWN. _____	SHEET NO. 16 B-4
CHK. _____	
APPVD. _____	SUPERSEDES G.I. 16A-25
DATE _____	CHANGES _____



EXISTING W/5
 WIPER MOTOR
 - MTO. BOLT

- 23. 703240 CLAMP ASM. (2)
- 22. 626456 SCREW WASHER ASM. *8 * 1/4
- 21. 626514 GROMMET 1 7/16 DIA. HOLE
- 20. 448655 SCREW 1/4-28 * 1/2 HEX. (7)
- 19. 626532 CLIP 3/8 DOUBLE (7)
- 18. 626556 GROMMET 1 * 1 1/4 (2)
- 17. 702376 GROMMET 3/4 * 1
- 16. 645783 HOSE ASM. - DUAL REAR EVAP. OUTLET
- 15. 645782 HOSE ASM. - DUAL REAR EVAP. INLET
- 14. 645300 HOSE ASM. - REC. DRIER TO EVAP. 7/16 I.D.
- 13. 701268 HOSE ASM. - EVAP. TO HOSE 7/16 I.D.
- 12. 271172 NUT * L.W. ASM. 1/4-20 HEX.
- 11. 120706 BOLT 1/4-20 * 1/2 HEX.
- 10. 702221 CLAMP (4)
- 9. 189129 SCREW 1/4-20 * 7/8
- 8. 703730 BRACKET ASM.
- 7. 647394 HOSE ASM. - COMP TO COND. 1/2 I.D.
- 6. 647365 HOSE ASM. - COMP TO EVAP. 1/2 I.D.
- 5. 701266 HOSE ASM. - EVAP. TO HOSE 1/2 I.D.
- 4. 635610 TEE ASM. 3/8 A/C
- 3. 635609 TEE ASM. 3/8 A/C
- 2. 651584 AIR COND. ASM. - REAR
- 1. 647906 EVAPORATOR ASM. - AIR COND.

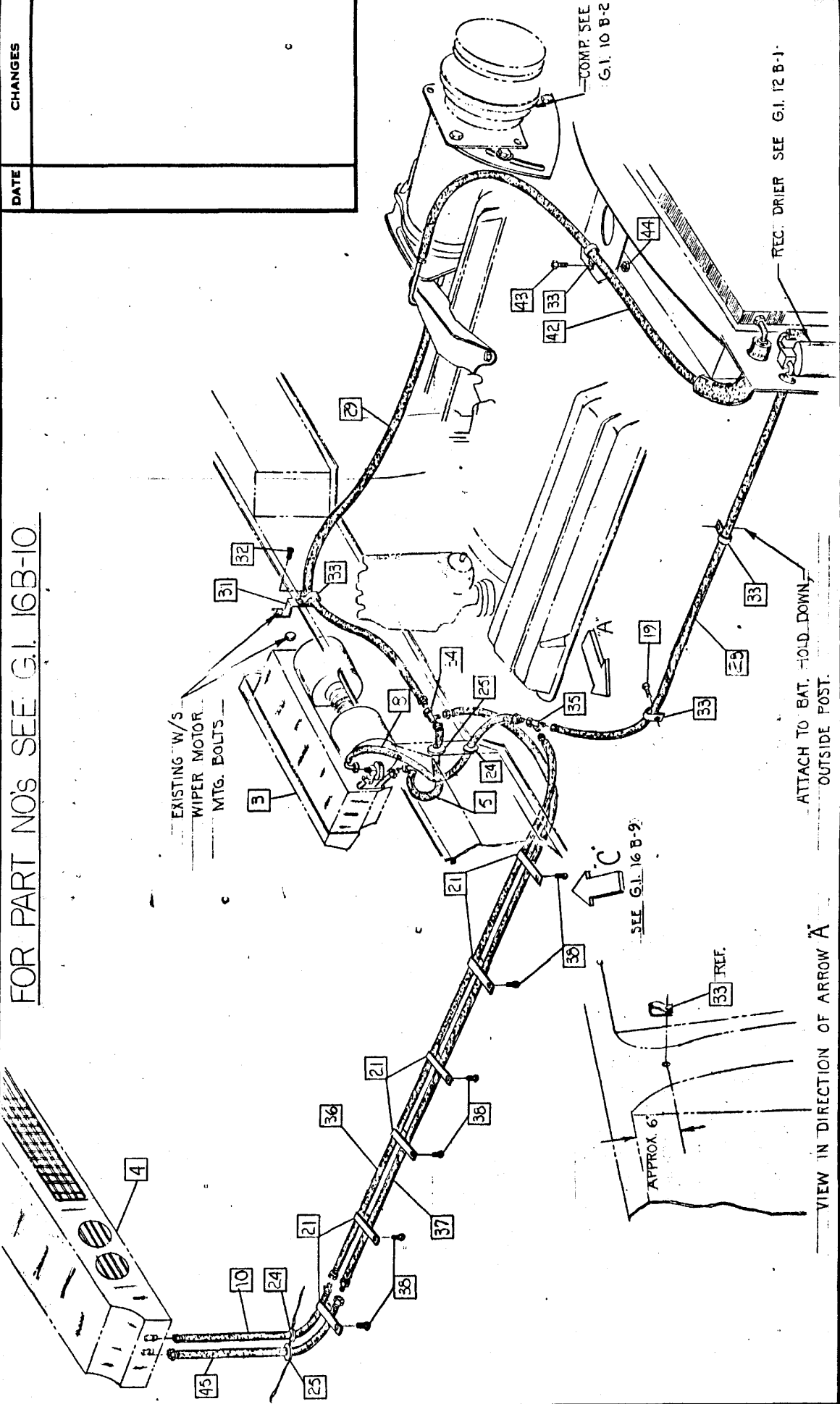
CHECKER MOTORS CORP. KALAMAZOO, MICH.

EFFECTIVE MODEL YEAR 1974

MODEL: A-12W8	DATE: 7-25-73	GRAPHIC ILLUSTRATION	DWN. CHK. APPVD.
		AIR COND. HOSES + TUBES - 8 CY. DUAL AEROBUS	SHEET NO. 16 B-5
			SUPERSEDES G.I. 16 A-20

FOR PART NOS SEE G.I. 16B-10

DATE	CHANGES



SEE G.I. 16 B-9

APPROX. 6

33 REF.

VIEW IN DIRECTION OF ARROW A

ATTACH TO BAT. -10-D. DOWN-
OUTSIDE POST.

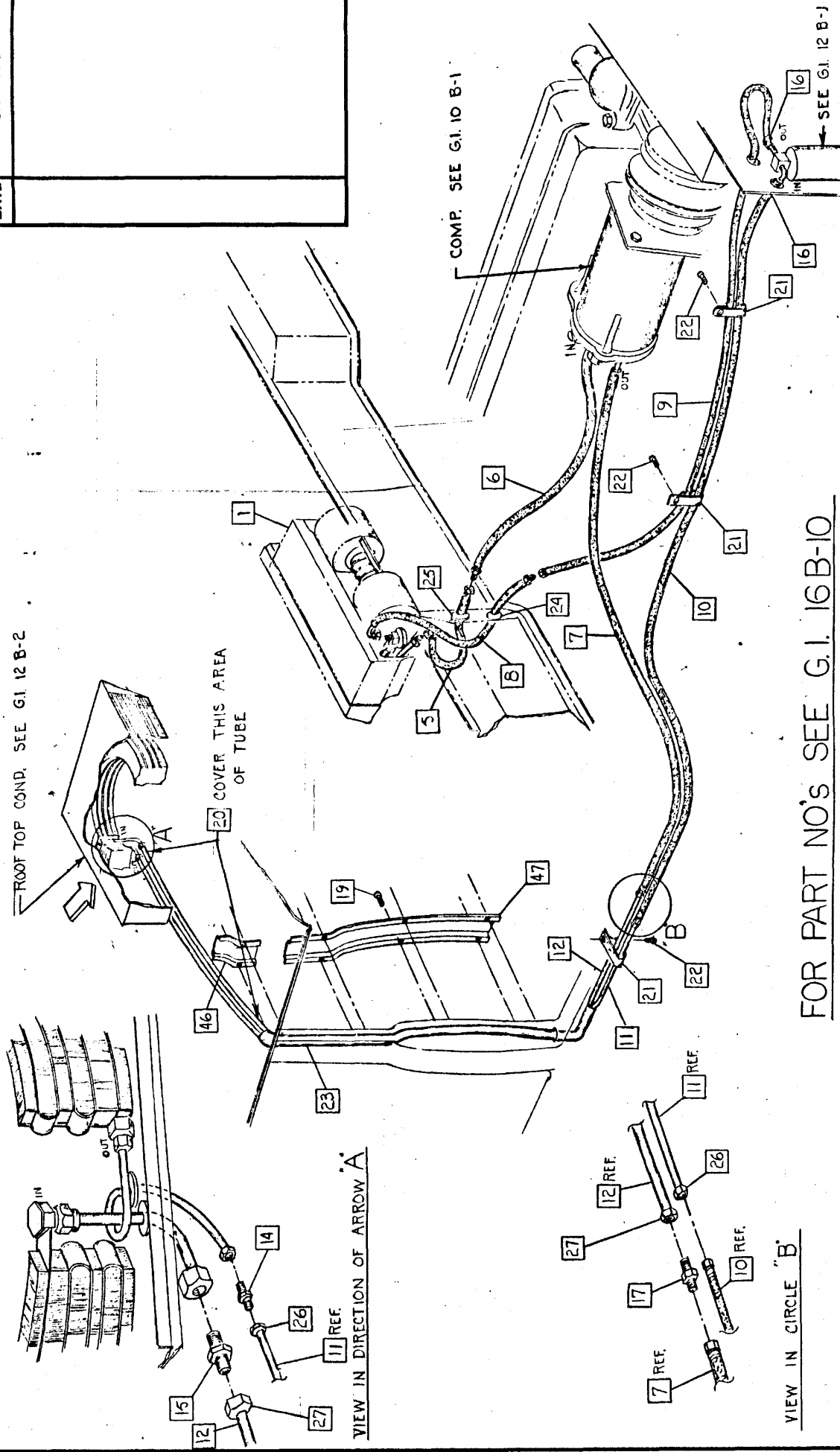
COMP. SEE
G.I. 10 B-2

REC. DRIER SEE G.I. 12 B-1

CHECKER MOTORS CORP. KALAMAZOO, MICH.

EFFECTIVE MODEL YEAR 1974

MODEL: A-11 A-12 A-12E A-12W	DATE 7-25-73	GRAPHIC ILLUSTRATION	SHEET NO. 16 B-6
AIR COND. HOSES, TUBES 6 CYL. FRT. WITH F/T COND.		APPVD.	DATE
		CHANGES	



FOR PART NO'S SEE G.I. 16B-10

CHECKER MOTORS CORP., KALAMAZOO, MICH.

EFFECTIVE MODEL YEAR 1974

MODEL: A-12

DATE 7-25-73

A-12WB

GRAPHIC ILLUSTRATION

DWN. CHK.

SHEET NO. 16B-7

A-11E

A-12W

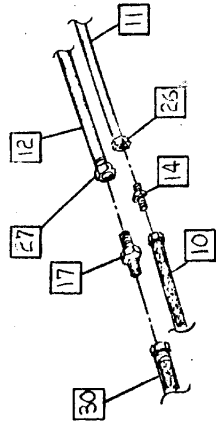
AIR COND. HOSES + TUBES - 3 CT. - FRT. WITH R/T COND.

APPVD.

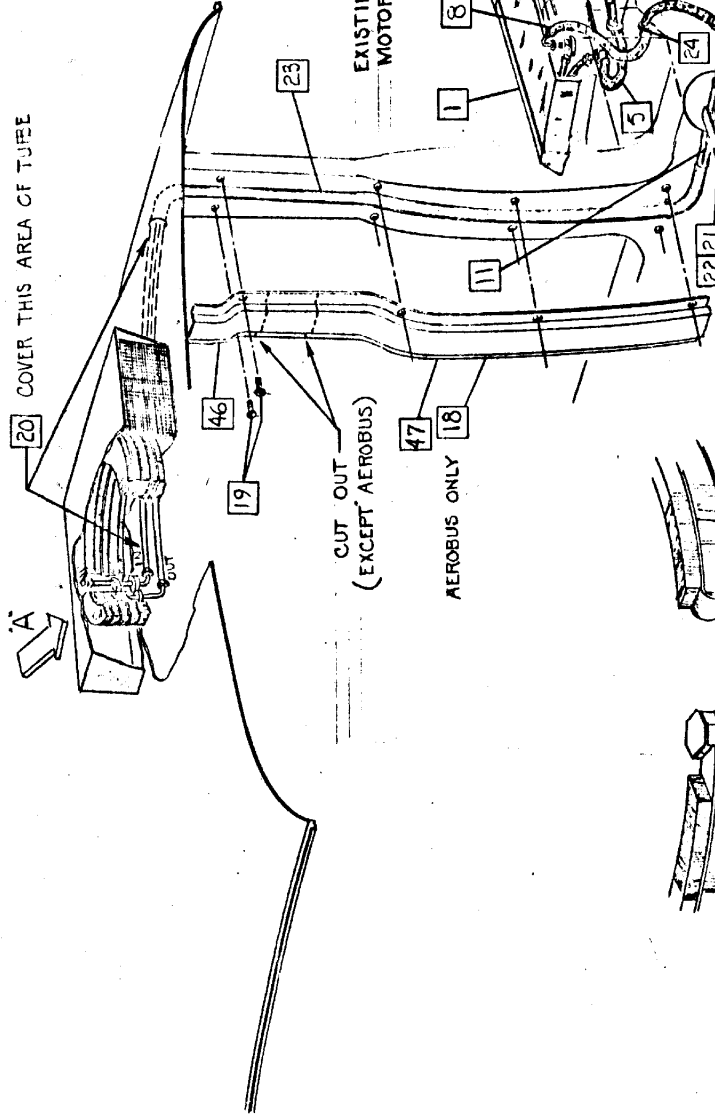
SUPERSEDES G.I. 16A-17

DATE

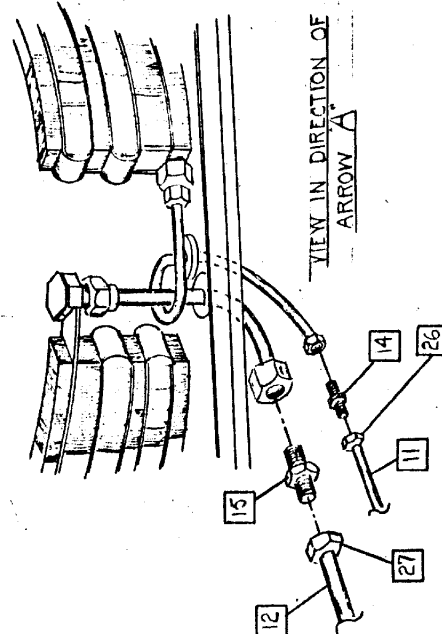
CHANGES



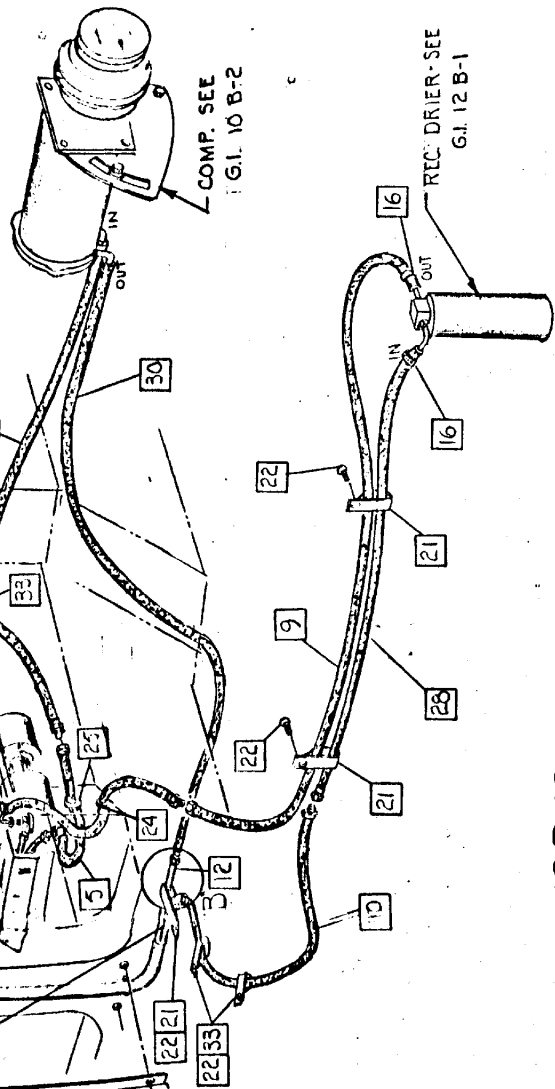
VIEW IN CIRCLE 'B'



EXISTING W/S WIPER MOTOR MTG. BOLTS



VIEW IN DIRECTION OF ARROW 'A'



FOR PART NO'S SEE G.I. 16B-10

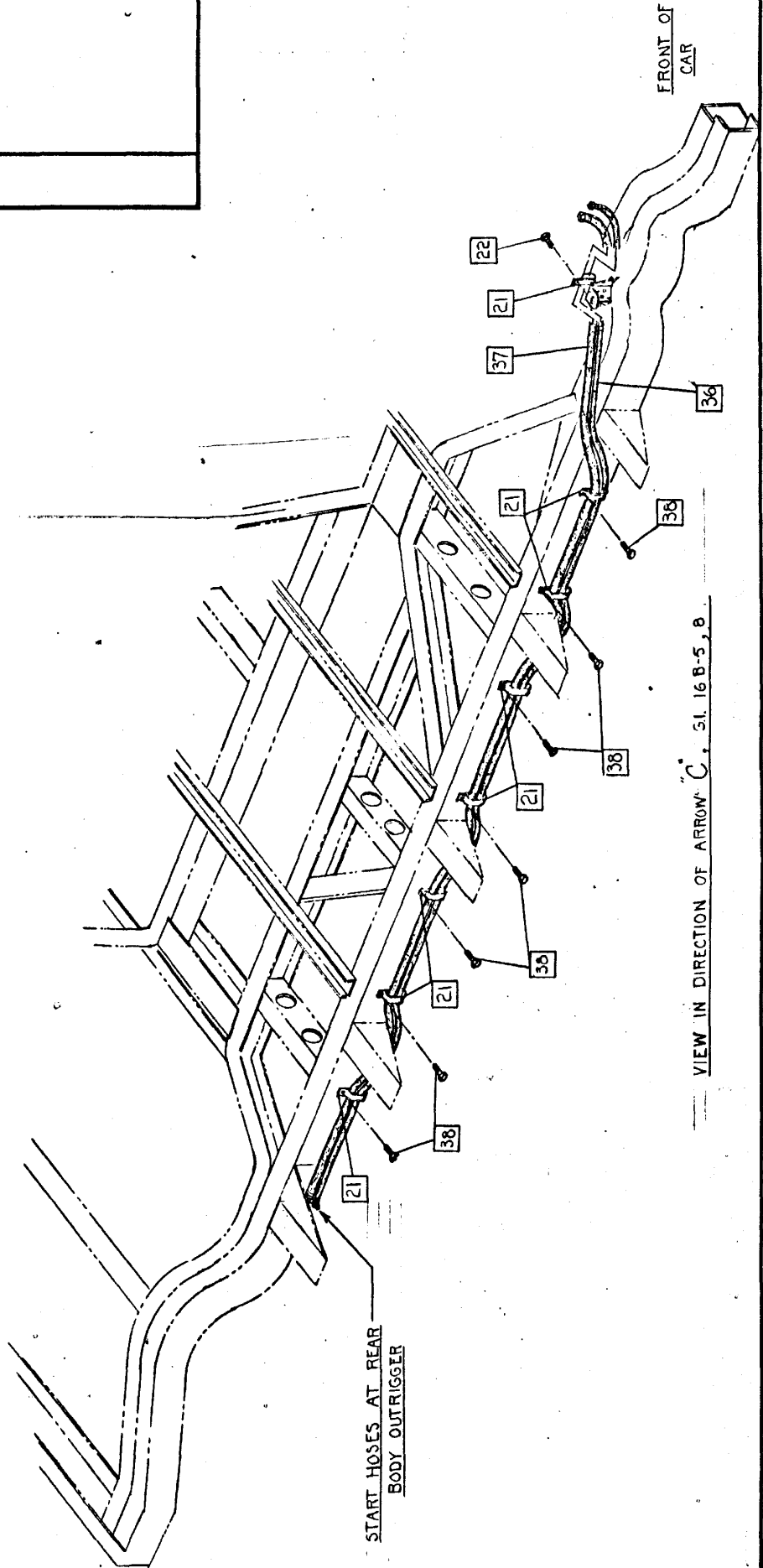
EFFECTIVE MODEL YEAR 1972

CHECKER MOTORS CORP. KALAMAZOO, MICH.

MODEL:	A-12 W8	DATE	7-25-73
GRAPHIC ILLUSTRATION	AIR COND. - HOSES + TUBES - 8 CYL. DUAL AEROBUS		
DWN. CHK.	SHEET NO. 16.B-9		
APPVD.	SUPERSEDES G1 16A-22		

DATE	CHANGES

FOR PART NO'S SEE G1 16B-10



VIEW IN DIRECTION OF ARROW "C", S1. 16B-5, B.

CHECKER MOTORS CORP. KALAMAZOO, MICH.

MODEL:	A-12	DATE	7-25-73
A-11	A-12E	A-12WB	
A-11E	A-12W		
GRAPHIC ILLUSTRATION		AIR COND. HOSES & TUBES - PART NO.	
DWN. DESIG.	SHEET NO. 16 B-10		
CHK.	SUPERSEDES G.I. 16-A-23		
APPVD.	CHANGES		

NO.	DESCRIPTION	QTY	DATE	CHANGES
1.	EVAPORATOR ASM. - AIR COND. COMPLETE (1 CONT. CIR)	26.	626641	NUT $\frac{3}{8}$ TUBE $\frac{3}{8}$ -18 FEM. (2)
2.	EVAPORATOR ASM. - AIR COND. COMPLETE (2 CONT. CIR)	27.	626543	NUT $\frac{1}{2}$ TUBE $\frac{3}{4}$ -16 FEM. (2)
3.	EVAPORATOR ASM. - A/C COMP.	28.	6453CD	HOSE ASM. - REC. DRIER TO TEE
4.	EVAPORATOR ASM. - REAR AEROSOLS	29.	647365	HOSE ASM. - COMP. TO EVAP. $\frac{1}{2}$ ID.
5.	HOSE ASM. - EVAP. TO HOSE $\frac{1}{2}$ ID.	30.	647310	HOSE ASM. - COMP. TO EVAP. $\frac{1}{2}$ ID.
6.	HOSE ASM. - COMP. TO EVAP. $\frac{1}{2}$ ID.	31.	703750	BRACKET ASM.
7.	HOSE ASM. - COMP. TO EVAP. $\frac{1}{2}$ ID.	32.	189129	SCREW $\frac{1}{4}$ -20 x $\frac{3}{8}$
8.	HOSE ASM. - EVAP. TO HOSE $\frac{3}{16}$ ID.	33.	702221	CLAMP
9.	HOSE ASM. - FRT. EVAP. $\frac{3}{16}$ ID.	34.	6356C3	TEE ASM. - $\frac{3}{8}$ A/C
10.	HOSE ASM. - REAR EVAP. TO HOSE	35.	635610	TEE ASM. - $\frac{3}{8}$ A/C
11.	TUBE ASM. - $\frac{3}{8}$ ROOF TOP	36.	6457E2	HOSE ASM. - DUAL EVAP. REAR - INLET
12.	TUBE ASM. - $\frac{1}{2}$ ROOF TOP	37.	6457E3	HOSE ASM. - DUAL EVAP. REAR - OUTPUT
14.	UNION $\frac{3}{8}$ TUBE	38.	626912	SCREW $\frac{3}{16}$ -18 x $\frac{3}{4}$ HEX. W/HD. (7)
15.	UNION $\frac{1}{2}$ TUBE	39.	448655	SCREW $\frac{1}{4}$ -28 x $\frac{1}{2}$ HEX. (7)
16.	CLAMP ASM. (2)	40.	144325	UNION $\frac{3}{8}$ TUBE $\frac{3}{8}$ -14 M.
17.	UNION REDUCER $\frac{3}{8}$ TO $\frac{1}{2}$ TUBE	41.	626514	GROMMET $1\frac{3}{16}$ DIA. HOLE
18.	COVER - CENTER PILLER HOSE (A-12WB ONLY)	42.	647394	HOSE ASM. - COMP. TO COND. $\frac{1}{2}$ ID.
19.	SCREW + WASHER ASM. *8 x $\frac{3}{4}$ (8)	43.	120706	BOLT $\frac{1}{4}$ -20 x $\frac{1}{2}$ HEX.
20.	BOOT ASM.	44.	271172	NUT + L.W. ASM. $\frac{1}{4}$ -20 HEX.
21.	CLIP $\frac{1}{2}$ DOUBLE	45.	643693	HOSE ASM. - REAR EVAP. TO HOSE
22.	SCREW $\frac{1}{4}$ -14 x $\frac{3}{8}$ TAPP	46.	6467C6	COVER - CENTER PILLAR HOSE - UPPER
23.	LOOM - WOVEN $\frac{3}{8}$ ID. x 1" OD. (6 FT.)	47.	646707	COVER - CENTER PILLAR HOSE - LOWER
24.	GROMMET $\frac{3}{4}$ x 1			
25.	GROMMET $1\frac{1}{4}$ x $\frac{3}{4}$			

CHECKER MOTORS CORP. KALAMAZOO, MICH.

EFFECTIVE MODEL YEAR 1974

MODEL:

A-12E

DATE

7-23-73

GRAPHIC ILLUSTRATION

AIR COND. HOSES + TUBES 6 C. - DUAL WITH R/T COND.

DWN. DESKED
CHK.

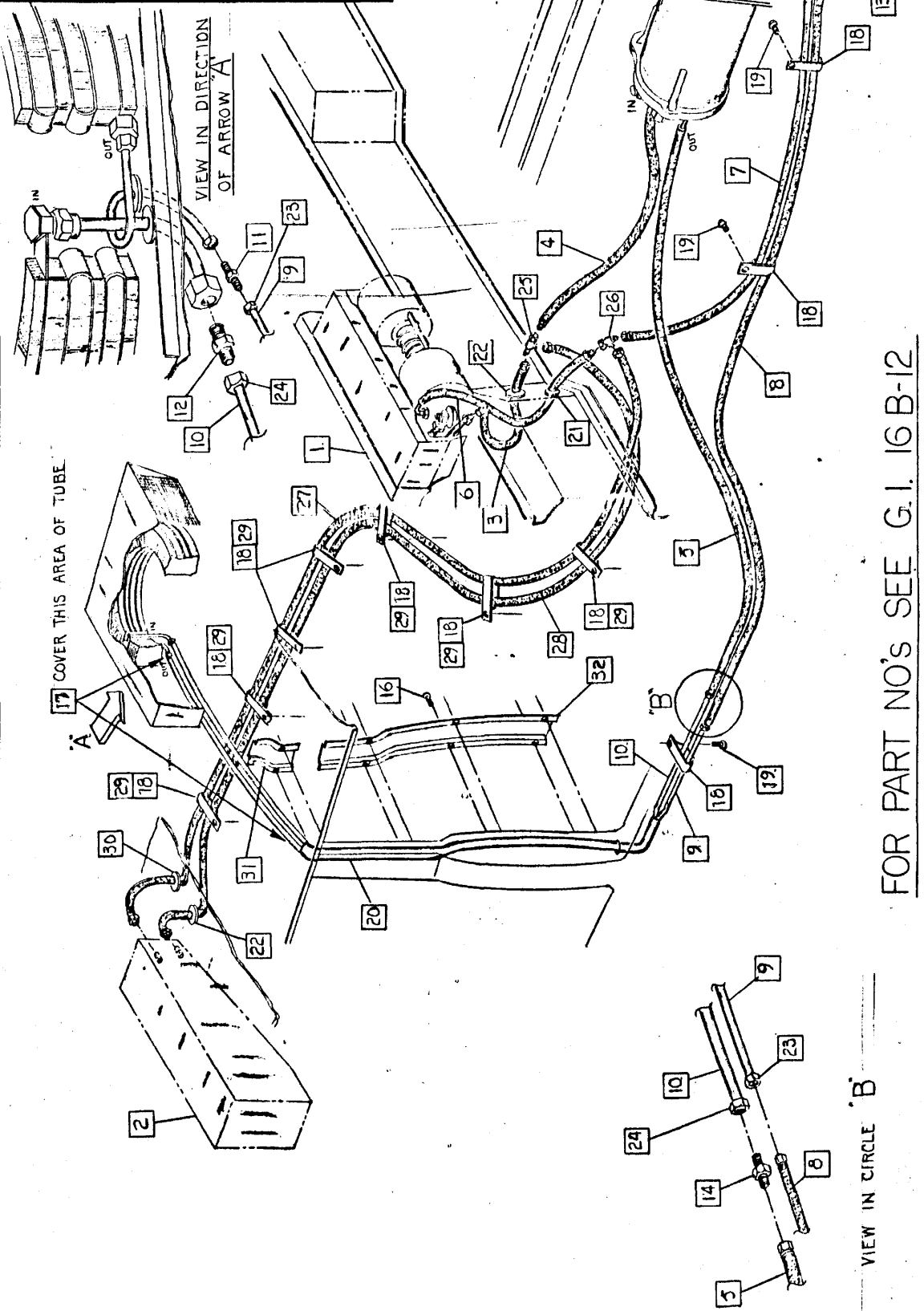
SHEET NO. 16 B-11

APPVD. SUPERSEDES G.I. 16 A-26

DATE

CHANGES

DATE	CHANGES



VIEW IN CIRCLE 'B'

FOR PART NO'S SEE G.I. 16B-12

SEE G.I. 12B-1

CHECKER MOTORS CORP., KALAMAZOO, MICH.

EFFECTIVE MODEL YEAR 1974

MODEL: A-11E	A-12E	DATE 7-26-73	GRAPHIC ILLUSTRATION AIR COND. - HOSES + TUBES 6 2YL. WITH R.T. COND.	DWN. DESIG. CHK.	SHEET NO. 16 B-12	APPVD. SUPERSEDES G1 16 A-27
-----------------	-------	-----------------	--	---------------------	-------------------	------------------------------

NO.	DESCRIPTION	QTY	PART NO.	DESCRIPTION	QTY	DATE	CHANGES
1.	EVAPORATOR ASM. - AIR COND. COMPL. - (2 CONT. CIRCUIT)	21.	703376	GROMMET 3/4" I.D.		10-8-73	645706 + 707 ADDED
2.	AIR COND ASM. - REAR	22.	626556	GROMMET 1 x 1 1/4" (2)			644731 REWARD
3.	HOSE ASM. - EVAP TO HOSE 1/2 ID.	23.	626541	NUT 3/8" TUBE 3/8" x 18 FEM. (2)			9425830 Was 9416843
4.	HOSE ASM. - COMP TO EVAP. 1/2 ID.	24.	626543	NUT 1/2" TUBE 3/4" x 16 FEM. (2)			
5.	HOSE ASM. - COMP TO EVAP. 1/2 ID.	25.	635509	TEE ASM. - 3/8" A/C			
6.	HOSE ASM. - EVAP TO HOSE 3/8 ID.	26.	635510	TEE ASM. - 3/8" A/C			
7.	HOSE ASM. - FRT. EVAP. 3/8 ID.	27.	645782	HOSE ASM. - DUAL EVAP. REAR INLET			
8.	HOSE ASM. - REAR EVAP TO HOSE	28.	645783	HOSE ASM. - DUAL EVAP. REAR OUTLET			
9.	TUBE ASM. - 3/8" - ROOF TOP	29.	448555	SCREW 1/4" - 28 x 1/2 HEX. (7)			
10.	TUBE ASM. - 1/2" - ROOF TOP	30.	626514	GROMMET 1 3/8" DIA HOLE			
11.	UNION 3/8 TUBE	31.	646726	COVER - CENTER PILLAR HOSE - UPPER			
12.	UNION 1/2 TUBE	32.	646727	COVER - CENTER PILLAR HOSE - LOWER			
13.	CLAMP ASM. - (2)						
14.	UNION REDUCER 3/8 TO 1/2 TUBE						
15.	COVER - CENTER PILLER HOSE						
16.	SCREW + WASHER ASM. - 8 x 3/4 (6)						
17.	BOOT ASM.						
18.	CLIP 3/8 DOUBLE (9)						
19.	SCREW 1/4 - 14 x 3/8 TAPP (3)						
20.	LOOM - WOVEN, 3/8 ID. - 10D. (6 Ft.)						