

CHECKER MOTORS CORP. KALAMAZOO, MICH.

SHEET NO. 12 B-1

DWN. DEKKER  
CHK.

GRAPHIC ILLUSTRATION

DATE

12-19-73

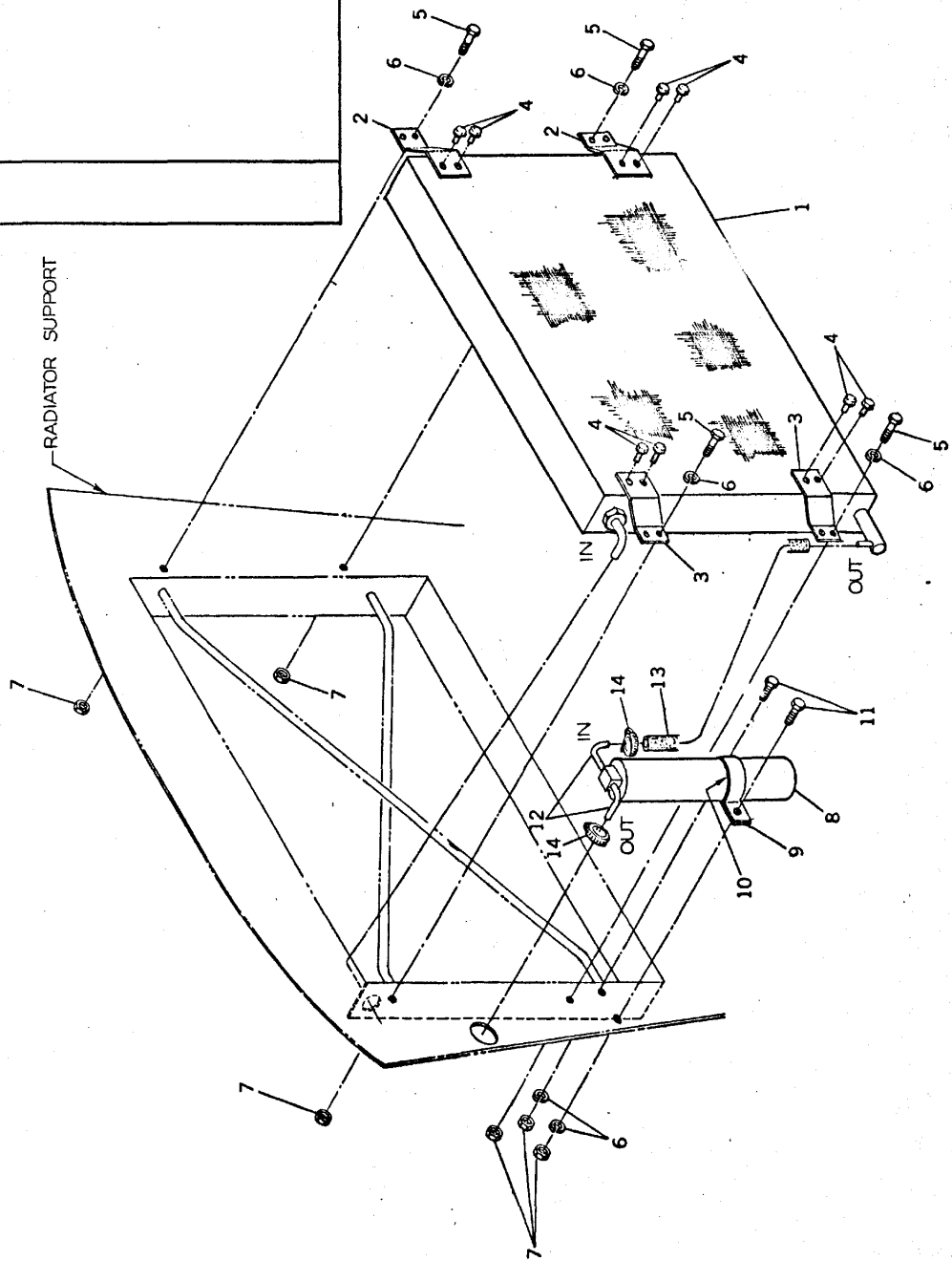
MODEL: A-12 A-12W8 A-12W

AIR COND. - CONDENSER MTG. - RADIATOR

- 1. 645284 CONDENSER ASM. - AIR COND.
- 2. 646149 BRACKET - COND TO RAD. SUPT. L.H. (2)
- 3. 646150 BRACKET - COND TO RAD. SUPT. R.H. (2)
- 4. 274105 SCREW #10-24 x 3/8 HEX. W/HD. (6)
- 5. 121887 BOLT 1/4-20 x 1/4 HEX. (4)
- 6. 120380 LW. 1/4 MED. SPRING (6)
- 7. 120375 NUT 1/4-20 HEX. (6)
- 8. 645285 RECEIVER DRIER ASM.
- 9. 644269 BRACKET - RECEIVER DRIER
- 10. 644263 INSULATION - REC. DRIER BRKT.
- 11. 120854 BOLT 1/4-20 x 3/8 HEX. (2)
- 12. 645301 FITTING ASM. - 90° x 3/8 FEM.
- 13. 645297 HOSE ASM.
- 14. 703240 CLAMP ASM. (2)

DATE

CHANGES



CHECKER MOTORS CORP. KALAMAZOO, MICH.

GRAPHIC ILLUSTRATION

SHEET NO. 12 B-2

DWN. DENKER  
CHK.

MODEL: A-12  
A-12E  
A-12W

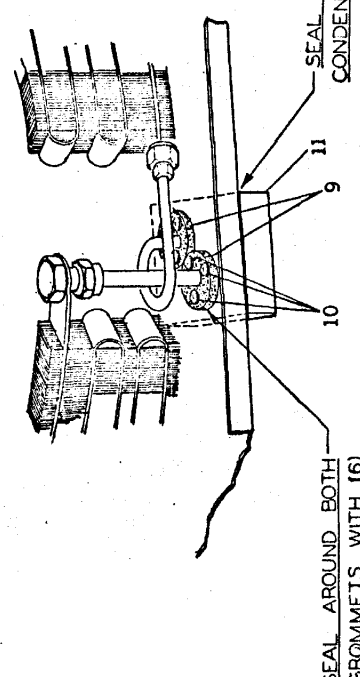
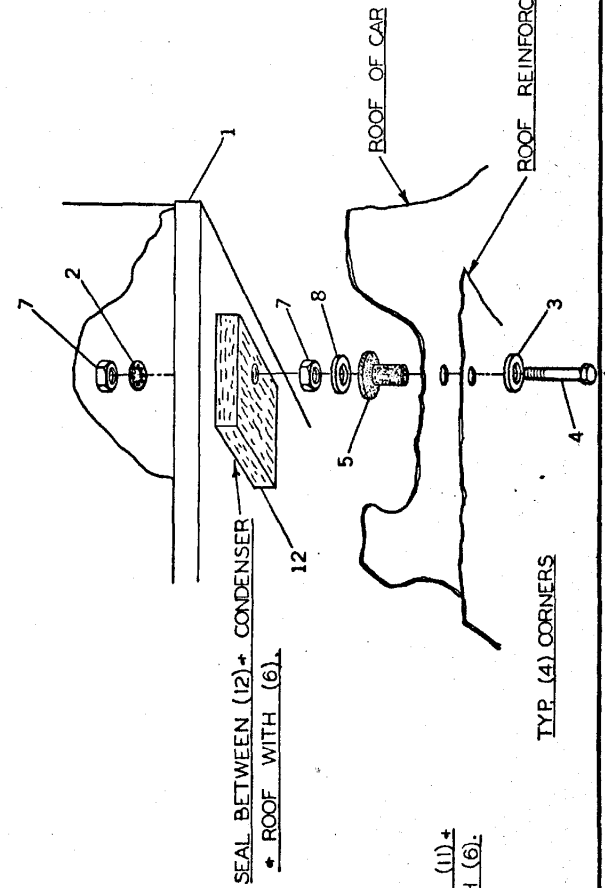
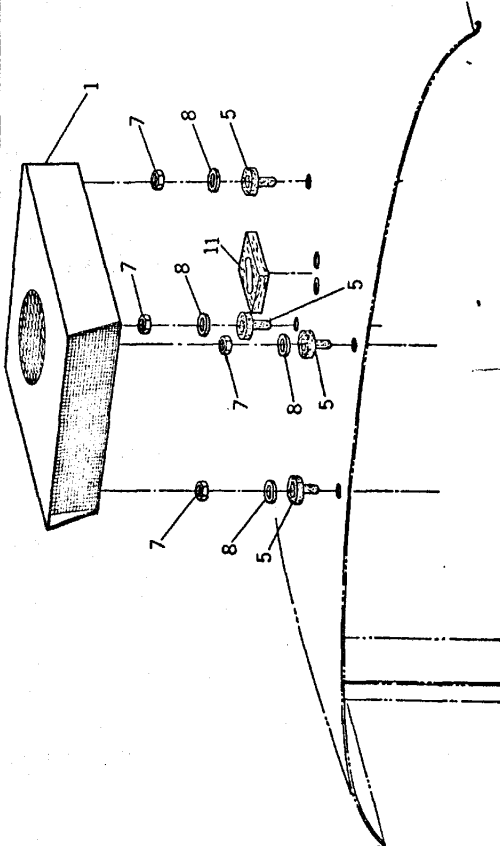
DATE 6-22-73

AIR COND. - CONDENSER MTG. - ROOF

SUPERSEDES G1. 12 A-2

PARTS 1-7 ARE PART OF KIT \*643665

- 1. CONDENSER ASM.
- 2. L.W.  $\frac{1}{16}$  INT. TOOTH (4)
- 3. WASHER  $\frac{3}{8}$  ID. (4)
- 4. SCREW  $\frac{3}{8}$ -16  $\times$  2  $\frac{1}{2}$  HEX. (4)
- 5. WELL-NUT (4)
- 6. SEALER
- 7. NUT  $\frac{3}{8}$ -16 HEX (8)
- 8. WASHER  $\frac{1}{8}$  ID.  $\times$  1  $\frac{1}{2}$  OD. (4)
- 9. GROMMET - ROOF TOP AIR COND. (2)
- 10. SCREW  $\times$  WASHER ASM. - \*8  $\times$   $\frac{3}{4}$  (6)
- 11. SEAL
- 12. PAD (4)



DATE

CHANGES

TYP. (4) CORNERS