

CHECKER MOTORS CORP. KALAMAZOO, MICH.

GRAPHIC ILLUSTRATION

SHEET NO. 14 B-1

DWN. DEAKER
CHK.

SUPPERSEDES G.I. 14 A-4

MODEL:

A-12 A-12E A-12W8
A-11E A-12W

DATE

3-6-74

DATE

10-11-73

1. EVAPORATOR ASM. - AIR COND.

2. BEZEL ASM. - AIR COND.

3. SUPPORT - AIR COND. REAR

4. FLOOR SUPPORT - AIR COND.

5. SCREW #10 x 1 PHCR (2)

6. SCREW 1/4-20 x 3/8 THCR (2)

7. NUT # ET.LW. ASM. - 1/4-20 HEX (2)

8. HOSE ASM. - EVAP. TO HOSE 1/2 I.D.

9. HOSE ASM. - EVAP. TO HOSE 3/16 I.D.

10. BRACKET - EVAP. TO INST. PAN. LH.

11. BRACKET - EVAP. TO INST. PAN. RH.

12. BOLT 1/4-20 x 3/8 HEX. W/HD (2)

13. NUT # LW. ASM. - 1/4-20 (4)

14. BOLT 1/4-20 SQ. NECK RH SHORT (2)

15. WASHER 3/8 I.D. x 3/8 OD x .083 (2)

16. HOSE - EVAP. DRAIN (2)

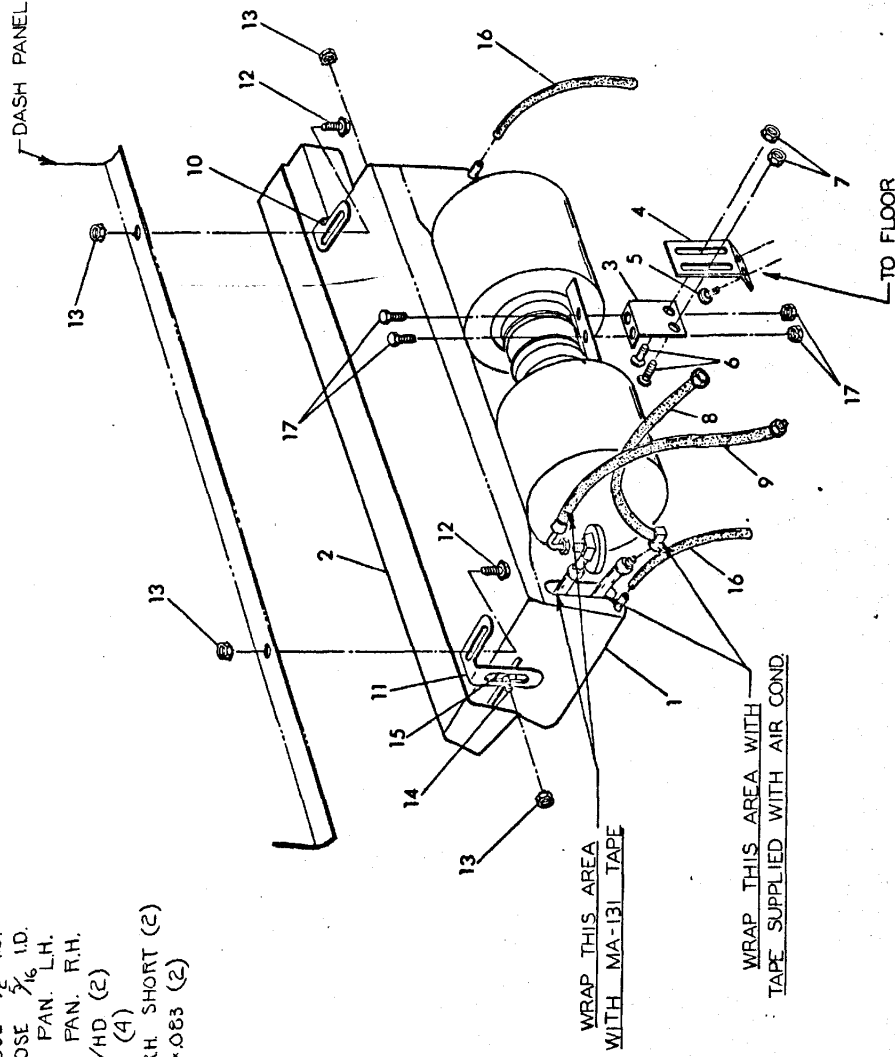
17. FURN ON EVAP.

CHANGES

DATE

10-11-73

TAPE NOTE ADDED



CHECKER MOTORS CORP. KALAMAZOO, MICH.

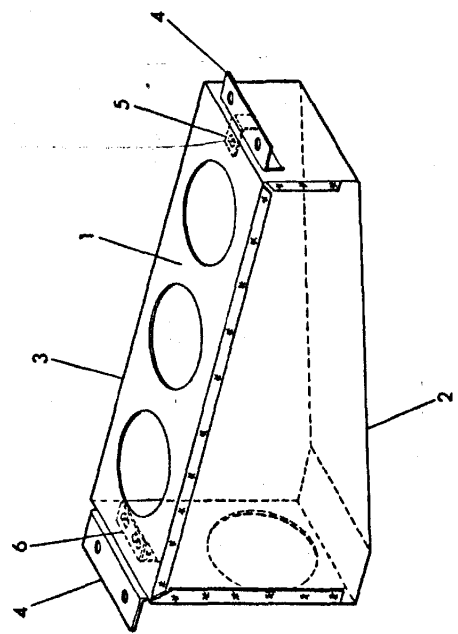
MODEL:	A-12	DATE	SHEET NO. 14 B-2
	A-12E	3-6-74	
A-11			
A-11E			

DWN.	DECKER
CHK.	

SUPERSEDES GI 14 A-9

DATE	CHANGES

- 1. 646558 HOUSING - REAR AIR COND.
- 2. 646559 PANEL - AIR COND. HOUSING FRT.
- 3. 646560 PANEL - AIR COND. HOUSING REAR
- 4. 646561 BRACKET - REAR AIR COND. MTG. (2)
- 5. 651587 BRACKET ASM. - AIR COND. CORE MTG. L.H.
- 6. 651588 BRACKET ASM. - AIR COND. CORE MTG. R.H.



651583 HOUSING ASM. - REAR AIR COND.-WELDED

CHECKER MOTORS CORP. KALAMAZOO, MICH.

GRAPHIC ILLUSTRATION

AIR COND. EVAP ASM. - REAR

DATE 3-7-74

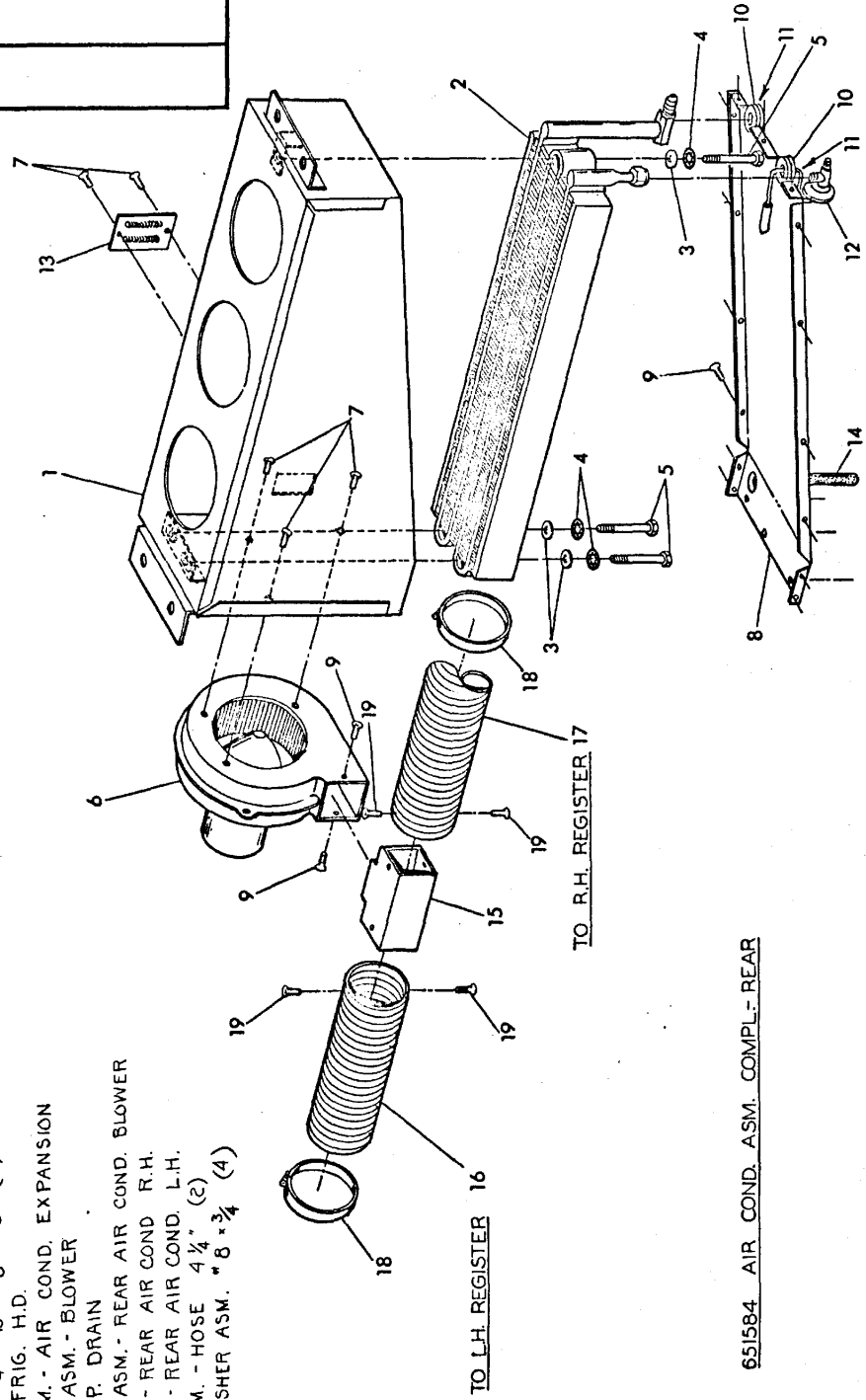
MODEL: A-12
A-12E
A-11E

DWN. DEKKER
CHK. SUPERSEDES GI. 14A-10

SHEET NO. 14B-3

DATE	CHANGES
12-28-73	626504 WAS 644280
1-11-74	120423 WAS 120392

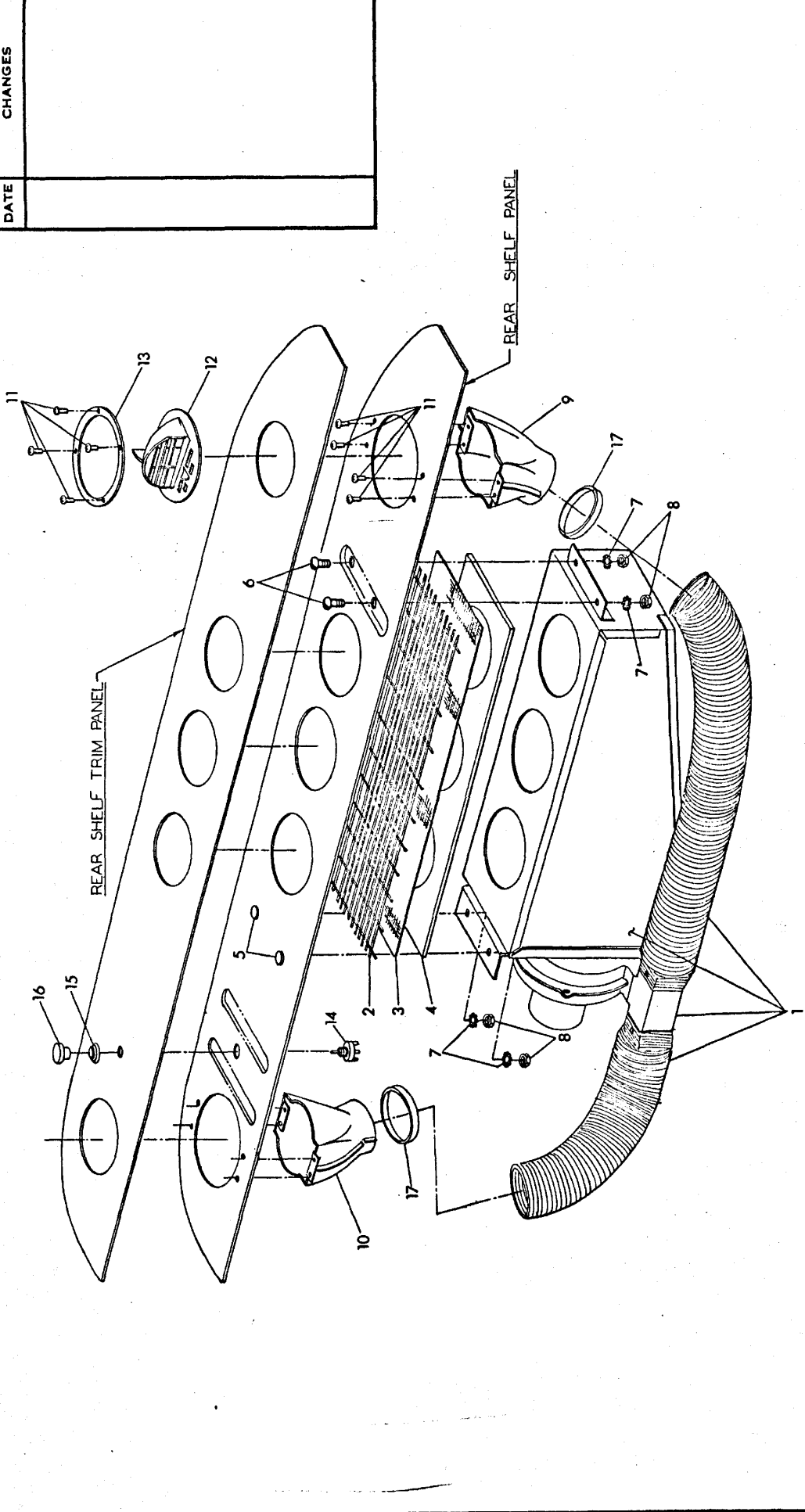
1. 651585 HOUSING ASM. - REAR AIR COND. - WELDED
2. 643624 CORE ASM. - REAR EVAP.
3. 626504 WASHER 1/32 I.D. x 1 1/2 O.D. CROWN (3)
4. 120423 LW. 1/4 INT. TOOTH (3)
5. 173206 BOLT 1/4-20 x 3 1/2 HEX. (3)
6. 651596 BLOWER ASM. - REAR AIR COND.
7. 161895 SCREW #10 x 1/2 PHCR. (5)
8. 651586 COVER ASM. - REAR AIR COND. HOUSING.
9. 163158 SCREW #8 x 3/8 PHCR. (20)
10. 702376 GROMMET 3/4 x 1 1/8 x 1 3/8 (2)
11. MA-131 TAPE - REFRIG. H.D.
12. 645311 VALVE ASM. - AIR COND. EXPANSION
13. 647035 RESISTOR ASM. - BLOWER
14. 636853 HOSE - EVAP. DRAIN
15. 651589 ADAPTER ASM. - REAR AIR COND. BLOWER
16. 651592 DUCT ASM. - REAR AIR COND. R.H.
17. 651591 DUCT ASM. - REAR AIR COND. L.H.
18. 451246 CLAMP ASM. - HOSE 4 1/4" (2)
19. 626456 SCREW - WASHER ASM. #8 x 3/4 (4)



651584 AIR COND. ASM. COMPL. - REAR

CHECKER MOTORS CORP. KALAMAZOO, MICH.

MODEL: A-11 A-12	DATE	SHEET NO. 14 B-4
	3-8-74	
GRAPHIC ILLUSTRATION		DWN. CHECKER CHK.
AIR COND. - EVAP. MTG - REAR		
SUPERSEDES GI. 14 A-11		CHANGES
DATE		

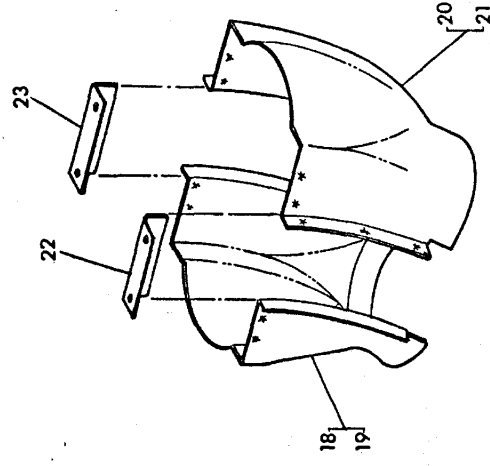


CHECKER MOTORS CORP. KALAMAZOO, MICH.

MODEL:	A-12	DATE	SHEET NO.
A-11	A-12E	6-22-73	14 B-5
A-11E			

DWN. DEKKER
CHK.
SUPERSEDES G.I. 14 A-12

NO.	DESCRIPTION	DATE	CHANGES
1.	AIR CONDITIONER ASM. - COMP. REAR.		
2.	GRILLE - REAR A/C INLET		
3.	SCREEN - REAR A/C INLET		
4.	GASKET - REAR A/C INLET		
5.	BOLT 1/4-20 x 3/8 OHIO WELD (2) USED LOOSE		
6.	SCREW 1/4-20 x 3/8 THCR (2)		
7.	LW. 1/4 INT EXT. TOOTH (4)		
8.	NUT 1/4-20 HEX. (4)		
9.	ADAPTER ASM. - SHELF PANEL LH.		
10.	ADAPTER ASM. - SHELF PANEL RH.		
11.	SCREW #8 x 3/8 PHCR (16)		
12.	KIT - REGISTER * DEFLECTOR (2)		
13.	DEFLECTOR ASM. - REAR A/C OUTLET (2)		
14.	RING - DEFLECTOR RETAINER (2)		
15.	SWITCH ASM. - AIR COND FAN		
16.	PLATE - SWITCH FACE		
17.	KNOB * SCREW ASM. - W/S WIPER CONTROL		
18.	CLAMP ASM. - HOSE		
19.	PANEL - AIR INTAKE UPPER LH.		
20.	PANEL - AIR INTAKE UPPER RH.		
21.	PANEL - AIR INTAKE LOWER LH.		
22.	PANEL - AIR INTAKE LOWER RH.		
23.	BRACKET - ADAPTER MTG. FRT.		
24.	BRACKET - ADAPTER MTG. REAR		



651593, 594 ADAPTER ASM - SHELF PANEL

CHECKER MOTORS CORP. KALAMAZOO, MICH.

MODEL:	A-12	DATE	6-22-73	GRAPHIC ILLUSTRATION	SHEET NO. 14 B-6
A-11	A-12E			AIR COND. - REAR EVAP GUARD	CHK.
A-11E					DATE
					CHANGES

- 646647 PANEL - REAR AIR COND. GUARD
 453035 NUT 1/4-20 TEE (4)
 646623 BRACKET - GUARD MTG. LOWER LH.
 646624 BRACKET - GUARD MTG. LOWER RH.
 646625 BRACKET - GUARD MTG. UPPER LH.
 646626 BRACKET - GUARD MTG. UPPER RH.
 174916 LW. 1/4 INT EXT. TOOTH (8)
 120854 BOLT 1/4-20 x 3/8 HEX (8)
 120375 NUT 1/4-20 HEX.
 271172 NUT + LW. ASM 1/4-20 HEX.
 626448 JACK NUT 1/4-20 (3)
 646622 SUPPORT - REAR A/C LOWER
 121752 LW #8 EXT. TOOTH
 163158 SCREW #8 x 3/8 PHCR.

