

CHECKER MOTORS CORP. KALAMAZOO, MICH.

SHEET NO. 10 B-1

DWN. DEKKER
CHK.

GRAPHIC ILLUSTRATION

DATE

12-13-73

MODEL:
B-11
B-12E
B-12W

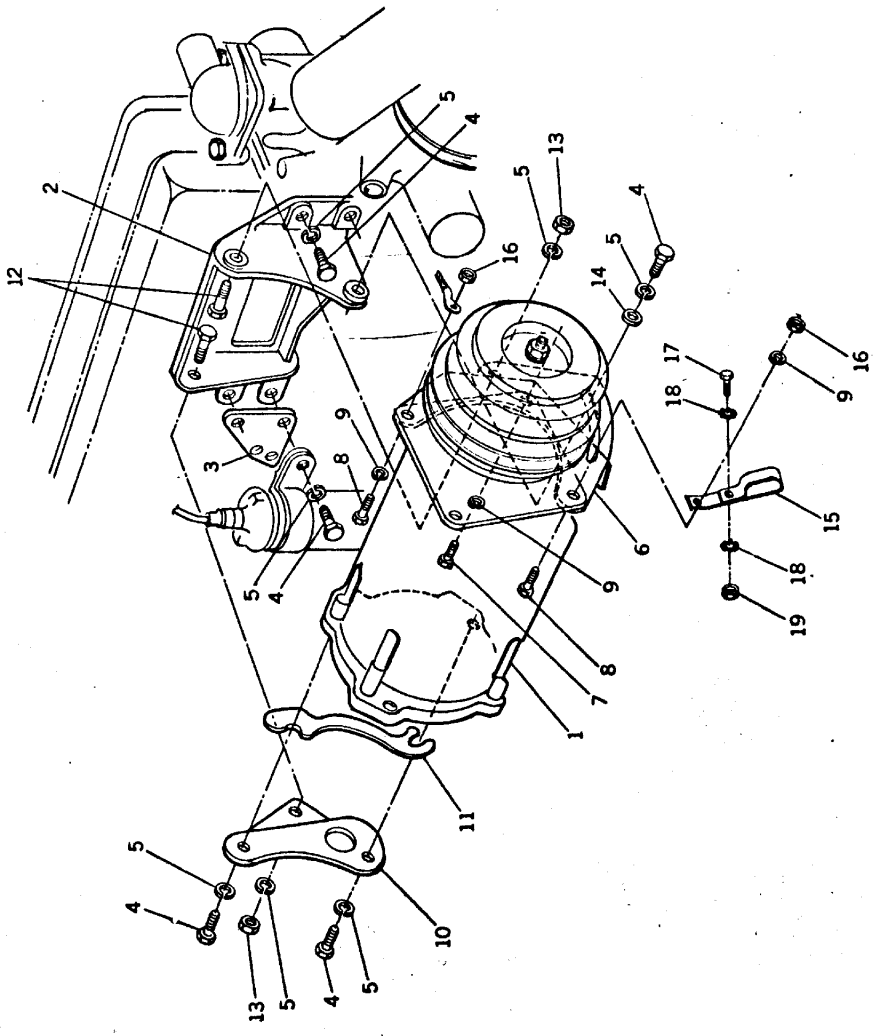
AIR COND. COMPRESSOR MTG - 6 CYL.

CHANGES

DATE

COMPRESSOR + CLUTCH ASM. - A/C

- 1. 703369 COMPRESSOR + CLUTCH ASM. - A/C
- 2. 702918 SUPPORT - A/C COMP.
- 3. 702919 PLATE - IGN. COIL MTG.
- 4. 180122 BOLT $\frac{3}{8}$ -16 x 1 HEX (7)
- 5. 120382 L.W. $\frac{3}{8}$ MED. SPRING (9)
- 6. 706312 BRACKET - A/C COMP. FRT.
- 7. 181595 BOLT $\frac{3}{8}$ -24 x $\frac{3}{4}$ HEX.
- 8. 181608 BOLT $\frac{5}{16}$ -24 x 1 HEX (2)
- 9. 120214 L.W. $\frac{5}{16}$ MED. SPRING (3)
- 10. 702921 BRACKET - A/C COMP. REAR
- 11. 702922 SHIM. - (3) FURN. - USE AS REQ'D
- 12. 180124 BOLT $\frac{3}{8}$ -16 x $1\frac{1}{4}$ HEX. (2)
- 13. 120377 NUT $\frac{3}{8}$ -16 HEX. (2)
- 14. 702262 WASHER $\frac{1}{2}$ ID x $\frac{3}{4}$ O.D.
- 15. 646664 CLIP - A/C HOSES
- 16. 120368 NUT $\frac{5}{16}$ -24 HEX (2)
- 17. 121887 BOLT $\frac{1}{4}$ -20 x $\frac{3}{4}$ HEX
- 18. 174916 L.W. $\frac{1}{4}$ INT. EXT. (2)
- 19. 120375 NUT $\frac{1}{4}$ -20 HEX.



CHECKER MOTORS CORP. KALAMAZOO, MICH.

MODEL:

- B-12
- B-12E
- B-11E

DATE

12-17-73

GRAPHIC ILLUSTRATION

AIR COND. - COMPRESSOR MTG. - 8 CYL.

DWN. DERKFL
CHK.

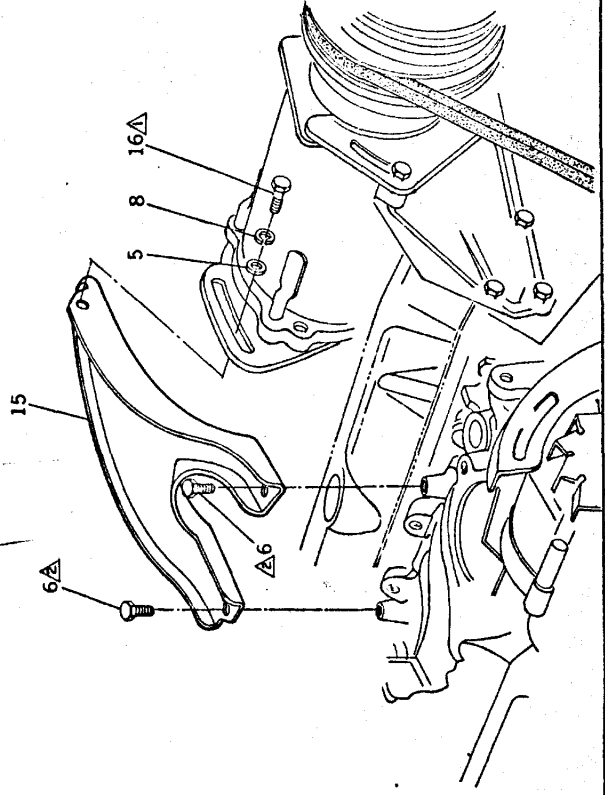
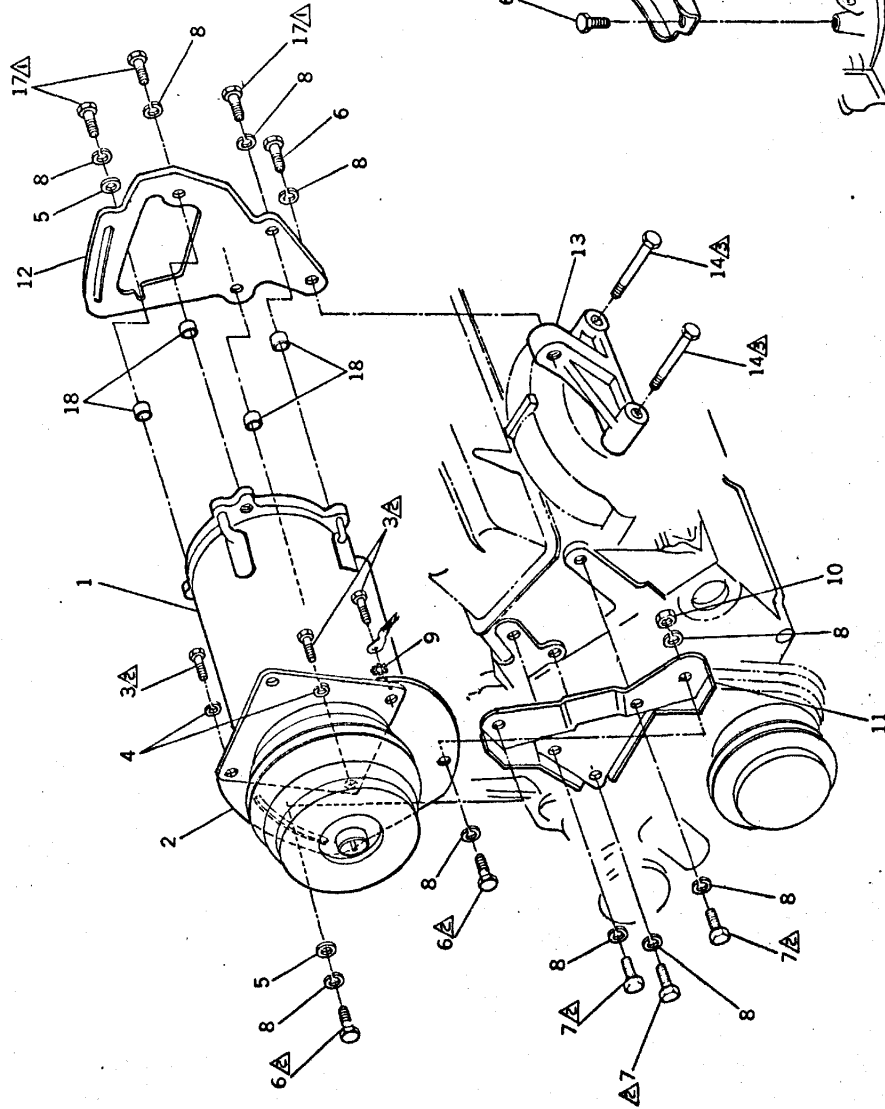
SHEET NO 10 B-2

DATE

- ① 20 - 28 LBS. FT. TORQUE
- ② 20 - 30 LBS. FT. TORQUE
- ③ 18 - 22 LBS. FT. TORQUE

CHANGES

FOR PART NOS SEE GI. 10B-3



CHECKER MOTORS CORP. KALAMAZOO, MICH.

SHEET NO. 10 B-3

DWN. DENKER
CHK.

GRAPHIC ILLUSTRATION

AIR COND. - COMPRESSOR MTG - 8 CYL.

MODEL B-12 B-12E B-12WB
B-11E B-12W

DATE 12-18-75

- | MODEL | DATE | CHANGES |
|------------|--|---------|
| 1. 703389 | COMPRESSOR + CLUTCH ASM | |
| 2. 704519 | BRACKET - A/C COMP. FRT. | |
| 3. 161595 | BOLT $\frac{3}{16}$ -24 x $\frac{3}{4}$ (3) | |
| 4. 120214 | LW. $\frac{3}{16}$ MED. SPRING (2) | |
| 5. 702262 | WASHER $\frac{13}{32}$ ID. x $\frac{3}{4}$ OD. x $\frac{1}{8}$ (3) | |
| 6. 180122 | BOLT $\frac{3}{8}$ -16 x 1 HEX. (5) | |
| 7. 180120 | BOLT $\frac{3}{8}$ -16 x $\frac{3}{4}$ HEX. (3) | |
| 8. 120382 | LW. $\frac{3}{8}$ MED. SPRING (12) | |
| 9. 138465 | LW. $\frac{3}{16}$ EXT. TOOTH | |
| 10. 120377 | NUT $\frac{3}{8}$ -16 HEX. | |
| 11. 703964 | SUPPORT ASM. - A/C COMP. BRKT. FRT. | |
| 12. 706074 | BRACKET - A/C COMP. REAR | |
| 13. 704524 | SUPPORT - REAR BRACKET | |
| 14. 704236 | BOLT $\frac{3}{8}$ -16 x $3\frac{1}{32}$ HEX. (2) | |
| 15. 703963 | BRACE ASM. - A/C COMP. REAR | |
| 16. 180124 | BOLT $\frac{3}{8}$ -16 x $1\frac{1}{4}$ HEX. | |
| 17. 180128 | BOLT $\frac{3}{8}$ -16 x $1\frac{3}{4}$ HEX. (4) | |
| 18. 704931 | SPACER - A/C COMP. MTG. REAR. (4) | |