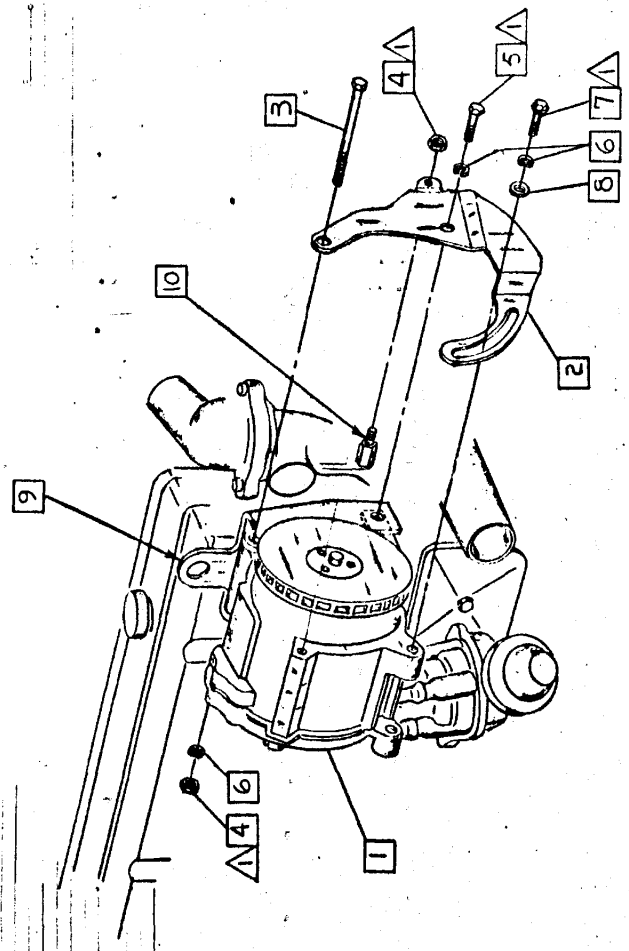


CHECKER MOTORS CORP. KALAMAZOO, MICH.

EFFECTIVE MODEL YEAR 1974

MODEL:	B-12	DATE	6-25-73
B-11	B-12E	GRAPHIC ILLUSTRATION	
B-11E	B-12W	A. I. R. - PUMP - MTG. 6 CYL.	
		APPVD.	
		CHK. 7-11-73	
		SHEET NO. 20B-1	
		SUPERSEDES G.I. 20A-1	

1. 703956 PUMP ASM. - AIR INJECTION 6 CYL.
2. 706249 BRACE - AIR INJECTION PUMP
3. 704153 BOLT $\frac{3}{8}$ - 16 x 5 HEX.
4. 120377 NUT $\frac{3}{8}$ - 16 HEX. (2)
5. 180120 BOLT $\frac{3}{8}$ - 16 x $\frac{3}{4}$ HEX.
6. 120382 L.W. $\frac{3}{8}$ MED. SPRING (3)
7. 9429622 BOLT $\frac{3}{8}$ - 16 x $1\frac{1}{2}$ HEX. FL.
8. 702177 WASHER - BRACE + STUD
9. BRACKET - FURN ON ENG.
10. CHEV. 406165 STUD - FURN ON ENG.



∇ 20-30 LBS. FT. TORQUE

DATE	CHANGES

CHECKER MOTORS CORP., KALAMAZOO, MICH.

EFFECTIVE MODEL YEAR 1974

GRAPHIC ILLUSTRATION

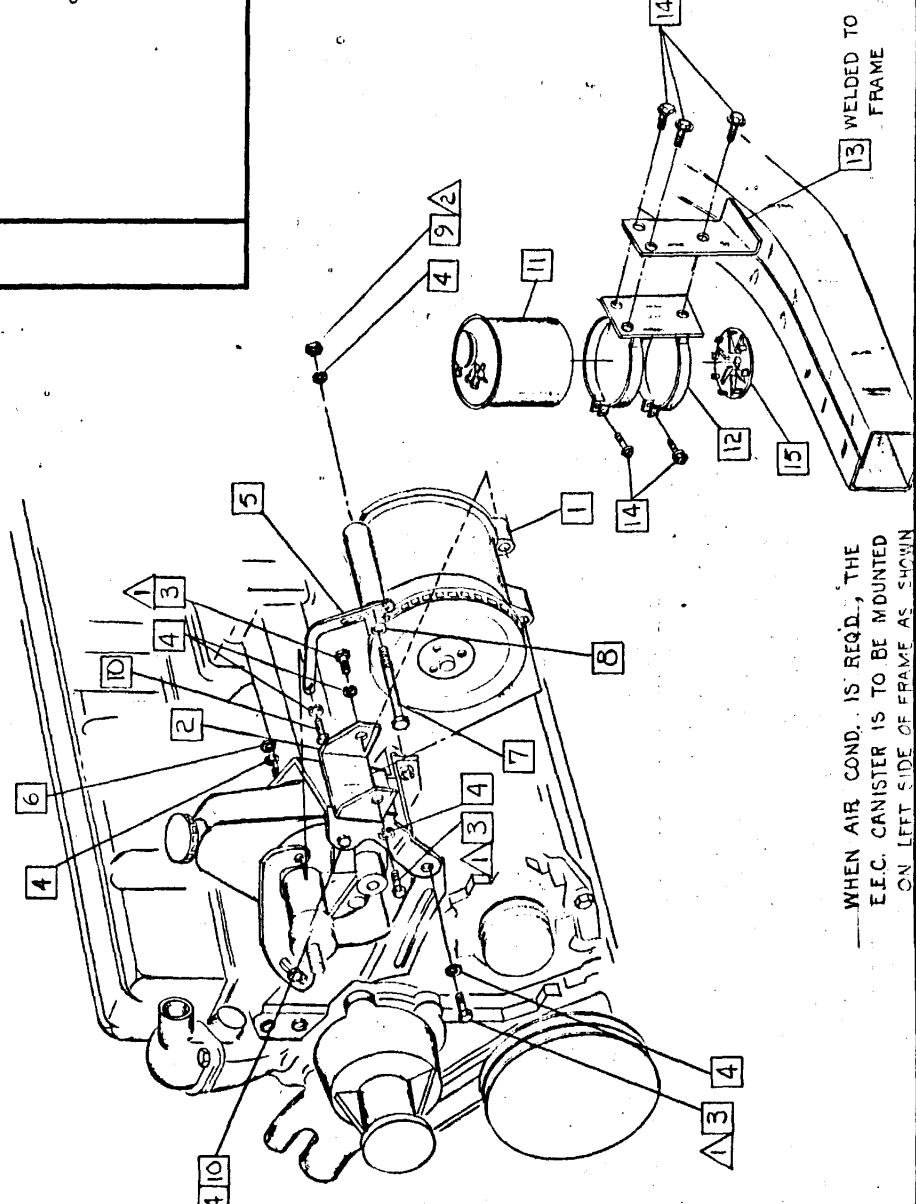
SHEET NO. 20 B-2

A.I.R. - PUMP MTS. - 6 CY. WITH AIR COND.

APPVD. SUPERSEDES G.I. 20 A-7

MODEL:	DATE	CHANGES
B-11	6-25-73	
B-12		
B-12W		

- 1. 703956 PUMP ASM. - A.I.R.
- 2. 705144 BRACKET + SUPT. ASM. - A.I.R. PUMP MTS.
- 3. 180122 BOLT $\frac{3}{8}$ - 16 x 1 HEX. (3)
- 4. 120382 L.W. $\frac{3}{8}$ MED. SPRING (7)
- 5. 706281 BRACE - A.I.R. PUMP ADJ.
- 6. 120377 NUT $\frac{3}{8}$ - 16 HEX.
- 7. 189334 BOLT $\frac{3}{8}$ - 24 x $4\frac{1}{2}$ HEX.
- 8. 120394 WASHER $\frac{1}{32}$ 1.0 x $\frac{13}{16}$ D.D.
- 9. 120369 NUT $\frac{3}{8}$ - 24 HEX.
- 10. 180121 BOLT $\frac{3}{8}$ - 16 x $\frac{7}{8}$ HEX. (2)
- 11. 703984 CANISTER ASM. - VAPOR
- 12. 703853 SUPPORT ASM. - FUEL VENT CAN.
- 13. 706287 MOUNTING BRKT. - VAPOR CAN. FRAME
- 14. 274473 SCREW $\frac{1}{4}$ - 20 x $\frac{7}{8}$ HEX. SERR. W/HD. (5)
- 15. 704693 CAP - CANISTER VAPOR DRAIN



NOTE: FOR POWER STEERING PUMP MTS., SEE G.I. 375 B-1

- ① 15 - 20 FT. LBS. TORQUE
- ② 20 - 30 FT. LBS. TORQUE

WHEN AIR COND. IS REQD., THE E.C. CANISTER IS TO BE MOUNTED ON LEFT SIDE OF FRAME AS SHOWN

CHECKER MOTORS CORP., KALAMAZOO, MICH.

EFFECTIVE MODEL YEAR

SHEET NO. 20 B-3

DWN. CHECKER
CHK. P. 7-7-73

APPVD. SUPERSEDES GI. 20 A-2

GRAPHIC ILLUSTRATION

A.I.R. PUMP MOUNTING - V-8 ENGINE

DATE

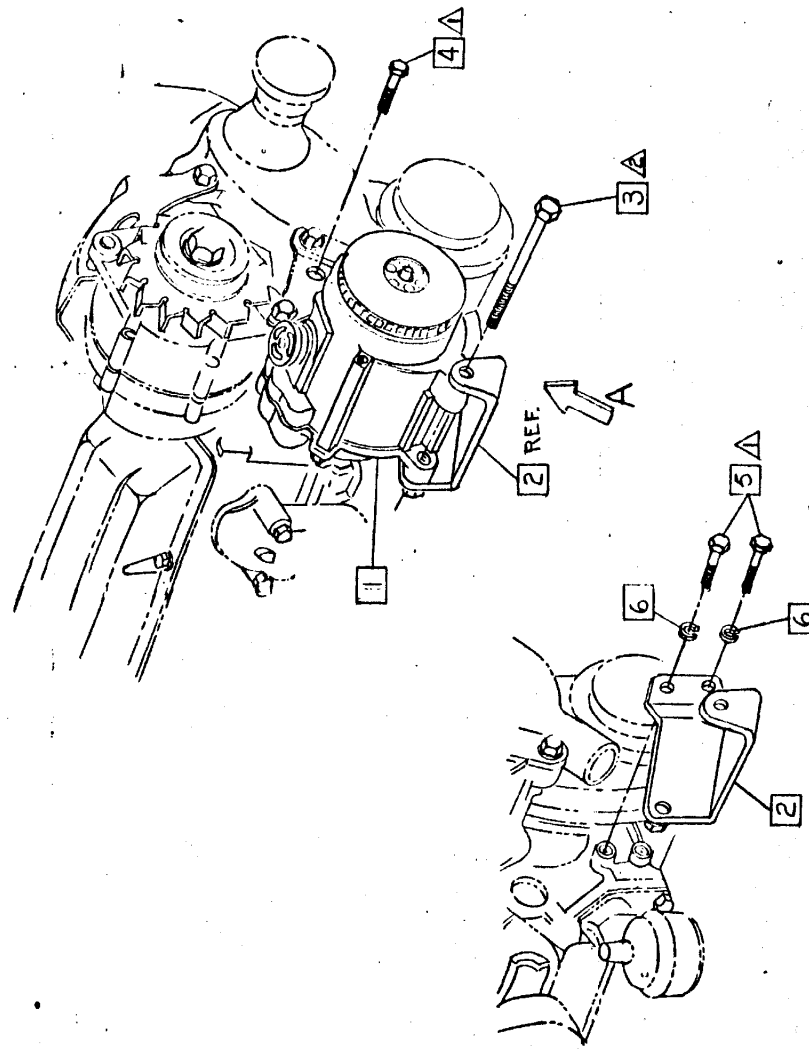
6-25-73

MODEL:

B-12
B-12E
B-12W

- 1. 703291 A.I.R. PUMP
- 2. 703410 BRACKET ASSEM. (FURN. IN KIT)
- 3. 704153 BOLT $\frac{3}{8}$ -16 x 5
- 4. 180124 BOLT $\frac{3}{8}$ -16 x 1 $\frac{1}{4}$
- 5.
- 6. 180122 BOLT $\frac{3}{8}$ -16 x 1 (2)
- 7. 120382 L.W. $\frac{3}{8}$ MED. SPR. (2)

CHANGES
5-20-73 70453A Removed



▲ 20-30 LBS. FT. TORQUE
▲ 15-20 LBS. FT. TORQUE

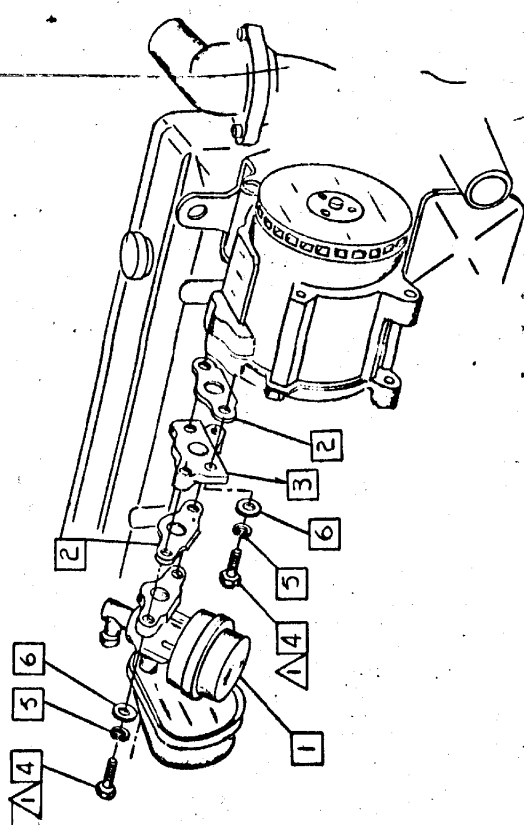
VIEW IN DIRECTION OF ARROW 'A'

CHECKER MOTORS CORP. KALAMAZOO, MICH.

EFFECTIVE MODEL YEAR 1974

MODEL:	B-12	DATE	
B-11	B-12E	6-25-73	
B-11E	B-12W		
DWN. 7-27-73		SHEET NO. 20B-4	
CHK. 7-27-73		APPVD. SUPPERSEDES G.I. 20A-3	
A.I.R. - DIVERTER VALVE MTS. 2 CYL.		DATE	CHANGES

- 1. 703958 VALVE ASM. - AIR PUMP, DIVERTER
- 2. 704431 GASKET - AIR, DIVERTER VALVE (2)
- 3. 706108 ADAPTER-AIR INJ. DIVERTER VALVE
- 4. 121887 BOLT 1/4-20 x 3/4 HEX. (4)
- 5. 120380 L.W. 1/4 MED. SPRING (4)
- 6. 120392 WASHER, 3/8 I.D. 5/8 O.D. (4)



△ 6-8 FT. LBS. TORQUE

CHECKER MOTORS CORP. KALAMAZOO, MICH.

MODEL: B-12 B-12E B-12W

DATE: 6-25-73

GRAPHIC ILLUSTRATION

A.I.R. - HOSES + TUBES 6 CT.

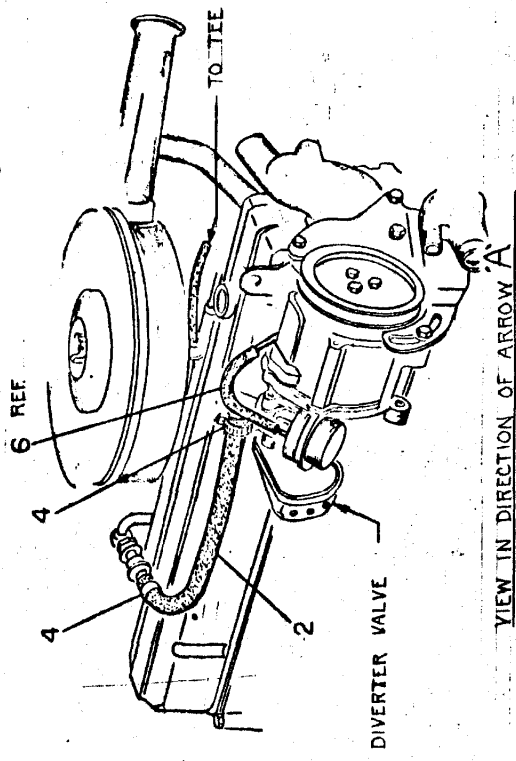
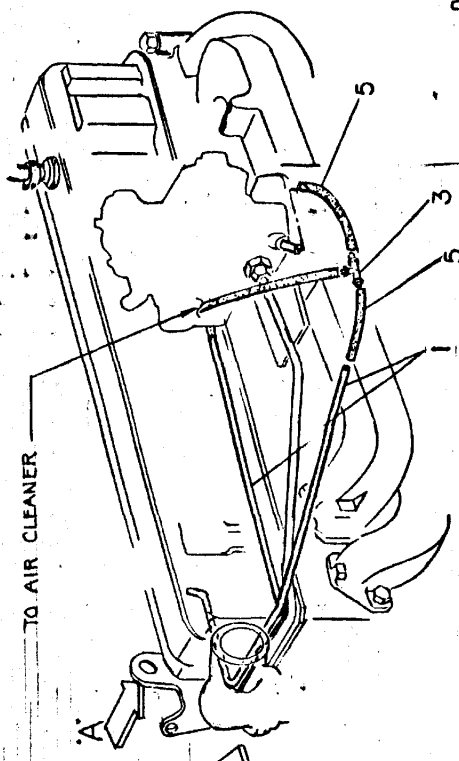
MODEL YEAR: 1974

SHEET NO. 20B-5

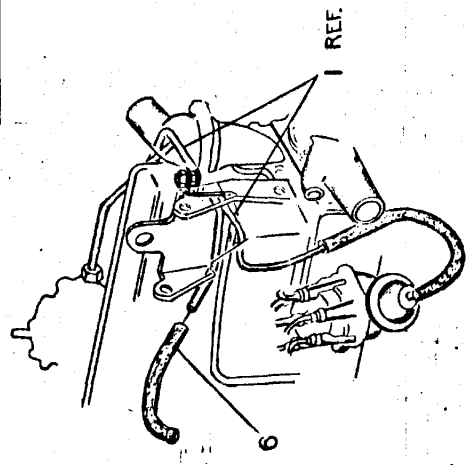
APPVD. SUPERSEDES G.I. 20A-5 PER MEMO #337

DATE	CHANGES

- 1. 705399 PIPE ASM. - SPARK CONTROL - A.I.R.
- 2. 704435 HOSE - DIVERTER VALVE TO EXH. CK VALVE
- 3. 706274 TEE - A.I.R. DIVERTER
- 4. 178304 CLAMP 3/8 HOSE (2)
- 5. 706183 HOSE - DIVERTER VALVE TO TEE (2)
- 6. 702942 HOSE - DIST. TO SOL TUBE



VIEW IN DIRECTION OF ARROW 'A'



VIEW IN DIRECTION OF ARROW 'B'

CHECKER MOTORS CORP. KALAMAZOO, MICH.

EFFECTIVE MODEL YEAR 1974

SHEET NO. 20B-6
 SUPPERSEDES GI. 20A-6

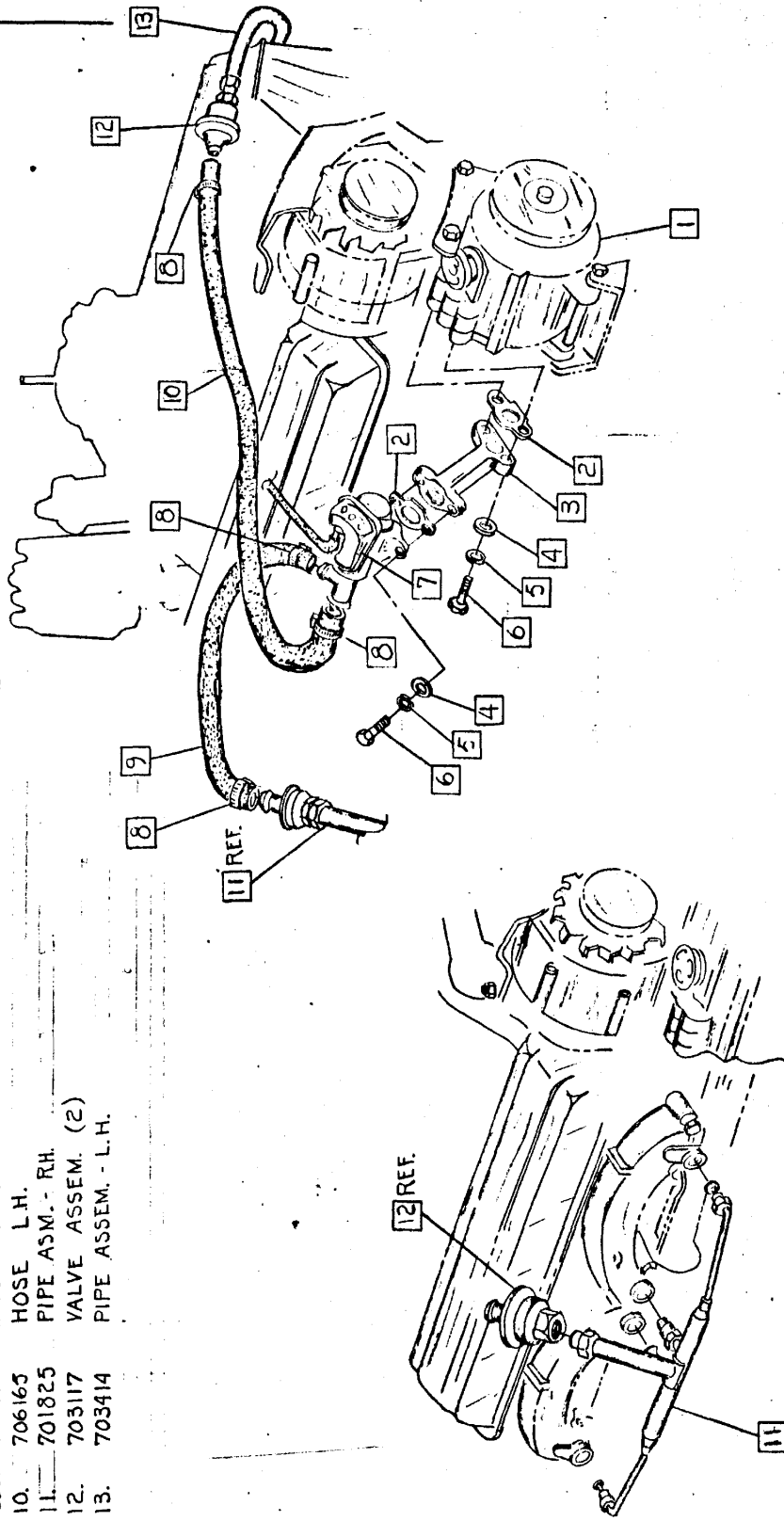
DWN. DESIGNER
 CHK. P 7-15-73
 APPVD.

GRAPHIC ILLUSTRATION

A.I.R. AIR PIPES, VALVES + HOSES

MODEL:	B-12	DATE
B-11E	B-12WB	6-25-73
B-11E	B-12W	

- 1. 703291 PUMP ASSEM. - A.I.R.
- 2. 704431 GASKET
- 3. 704533 ELBOW
- 4. 120392 WASHER 3/32 I.D. x 5/8 O.D. (4)
- 5. 120380 L.W. 1/4 MED. SPRING. (4)
- 6. 121887 BOLT 1/4-20 x 3/4 HEX. (4)
- 7. 703294 VALVE ASSEM. - DIVERTER
- 8. 178304 CLAMP (4)
- 9. 706166 HOSE R.H.
- 10. 706165 HOSE L.H.
- 11. 701825 PIPE ASM. - RH.
- 12. 703117 VALVE ASSEM. (2)
- 13. 703414 PIPE ASSEM. - L.H.



DATE	CHANGES

CHECKER MOTORS CORP. KALAMAZOO, MICH.

GRAPHIC ILLUSTRATION

SHEET NO. 20 B-7

DWN. DEKTEC
CHK.

DATE
10-2-73

MODEL:
B-11
B-12E
B-12W

A.I.R. - HOSES + TUBES 6 CYL. WITH AIR COND.

- 1. 706540 HOSE - EXH. CHECK. VALVE TO TUBE - 7"
- 2. 706541 HOSE - TUBE TO DIVERTER VALVE - 13"
- 3. 706274 TEE - A.I.R. DIVERTER
- 4. 706183 HOSE - DIVERTER VLV. TO TEE
- 5. 706308 HOSE - DIVERTER VLV. TO TEE
- 6. 178304 CLAMP $\frac{1}{8}$ " HOSE (4)
- 7. 706310 TUBE - DIVERTER VALVE
- 8. 444045 ELBOW - $\frac{1}{2}$ " PIPE +90°

DATE	CHANGES
12-18-73	706540, 241, 706310, 444045 Added. 706165 REMOVED

