

CHECKER MOTORS CORP. KALAMAZOO, MICH.

EFFECTIVE OCT. 1, 1970

MODEL: B-11E
B-12E
B-12W

DATE
9-16-70

GRAPHIC ILLUSTRATION

TRANSMISSION CONTROLS - VACUUM. - AUTO. TRANS - 6 CYL.

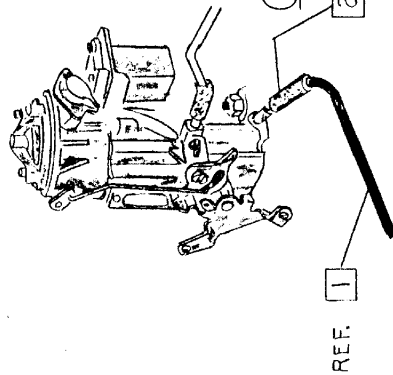
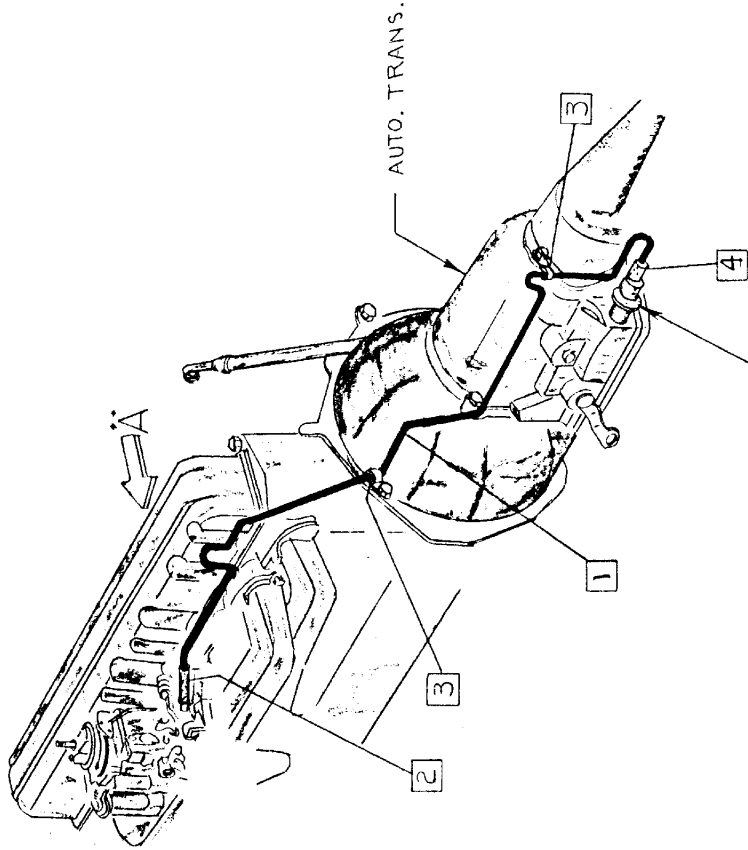
DWN. DEKKER
CHK. *AK*

SHEET NO. 415 A-1

APPVD.

- 1. 704691 TUBE • TRANS. VACUUM CONTROL
- 2. 704694 HOSE - TRANS. VACUUM. CONTROL
- 3. 80352 CLIP - J" TYPE (2)
- 4. 704773 HOSE

DATE	CHANGES
1-27-72	704631 REVISED



CANCELLED SUPERSEDED BY G.I. 415 A-3

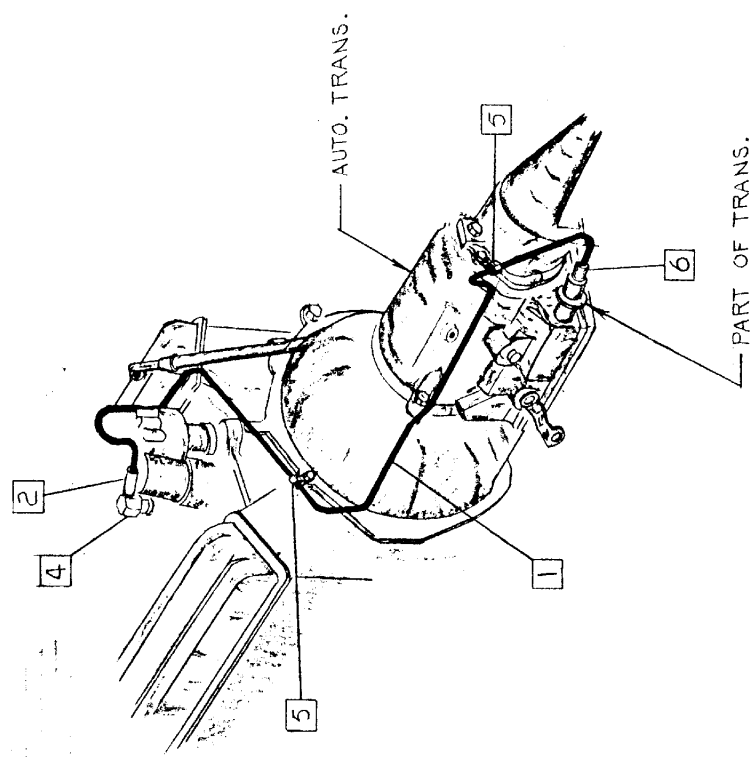
VIEW IN DIRECTION OF ARROW "A"

CHECKER MOTORS CORP. KALAMAZOO, MICH.

EFFECTIVE OCT. 1, 1970

MODEL:	B-11E	B-12W8	DATE	9-16-70	DWN. DEKKER	SHEET NO.	415	A-2
B-11	B-12E				CHK. <i>AP</i>			
B-12	B-12W				APPVD.			

- 1. 704690 TUBE - TRANS. VACUUM CONTROL
- 2. 704694 HOSE - TRANS. VACUUM CONTROL
- 3.
- 4. 704716 FITTING $\frac{3}{8}$ PIPE THD. $\frac{1}{4}$ x $\frac{3}{8}$ TUBE VAC. (AUTO. TRANS. WITH PWR. BRAKES)
- 5. 80352 CLIP "J" TYPE (2)
- 6. 704773 HOSE



CANCELLED SUPERSEDED BY G.I. 415 A-4

CHECKER MOTORS CORP. KALAMAZOO, MICH.

EFFECTIVE MAR 1, 1973

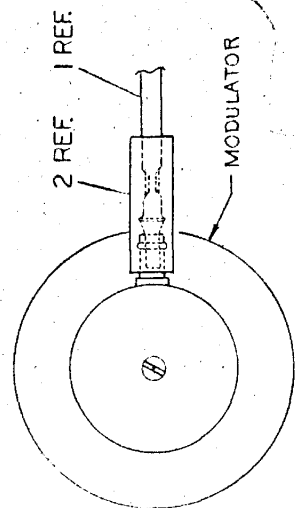
DWN. DESKER
CHK. 7-25-72
SHEET NO. 415 A-3
APPVD. SUPERSEDES G1 415 A-1 PER MEMO # 326

MODEL: B-12
B-11E
B-12W
DATE: 12-19-72
GRAPHIC ILLUSTRATION
TRANSMISSION CONTROLS - VACUUM, 6 CYL. HYDRA MATIC

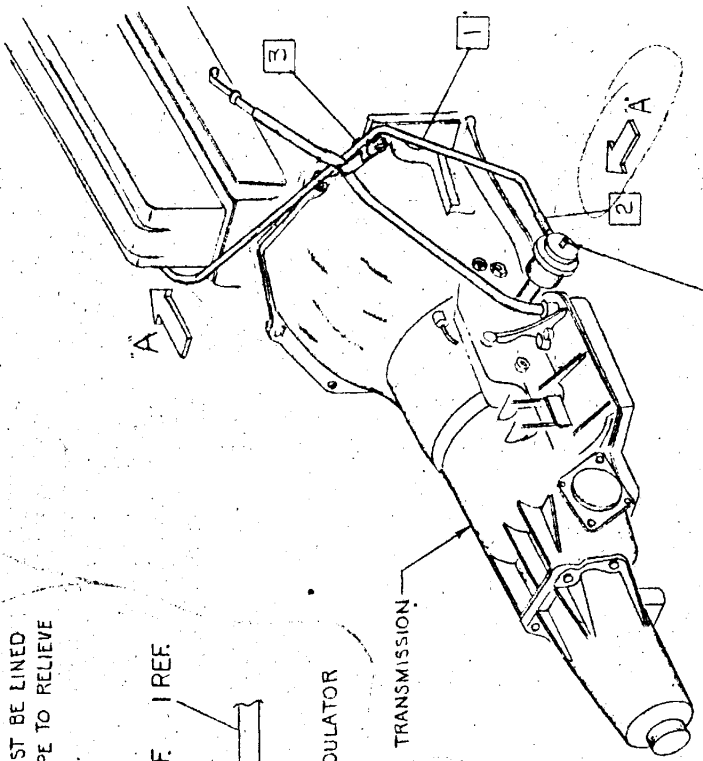
DATE	CHANGES
3-1-73	766390 WAS 70-1694 + 704773
3-27-73	VIEW 'A' ADDED

- 706067 TUBE - TRANS. VACUUM CONT.
- 706390 HOSE - TRANS. VACUUM CONT. TUBE (2)
- 626915 FASTENER - SPEED CLIP

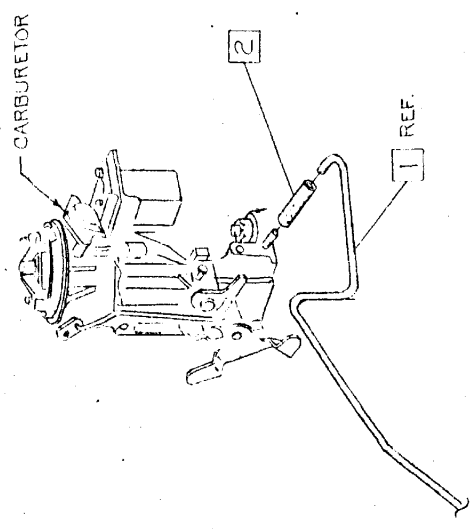
IMPORTANT: VACUUM TUBE MUST BE LINED UP WITH MODULATOR OUTPUT PIPE TO RELIEVE ANY TENSION OR STRAIN ON PIPE.



VIEW IN DIRECTION OF ARROW "A"



DO NOT CHANGE MODULATOR ADJUSTING SCREW SETTING. THIS SCREW HAS BEEN FACTORY CALIBRATED AND SEALED.

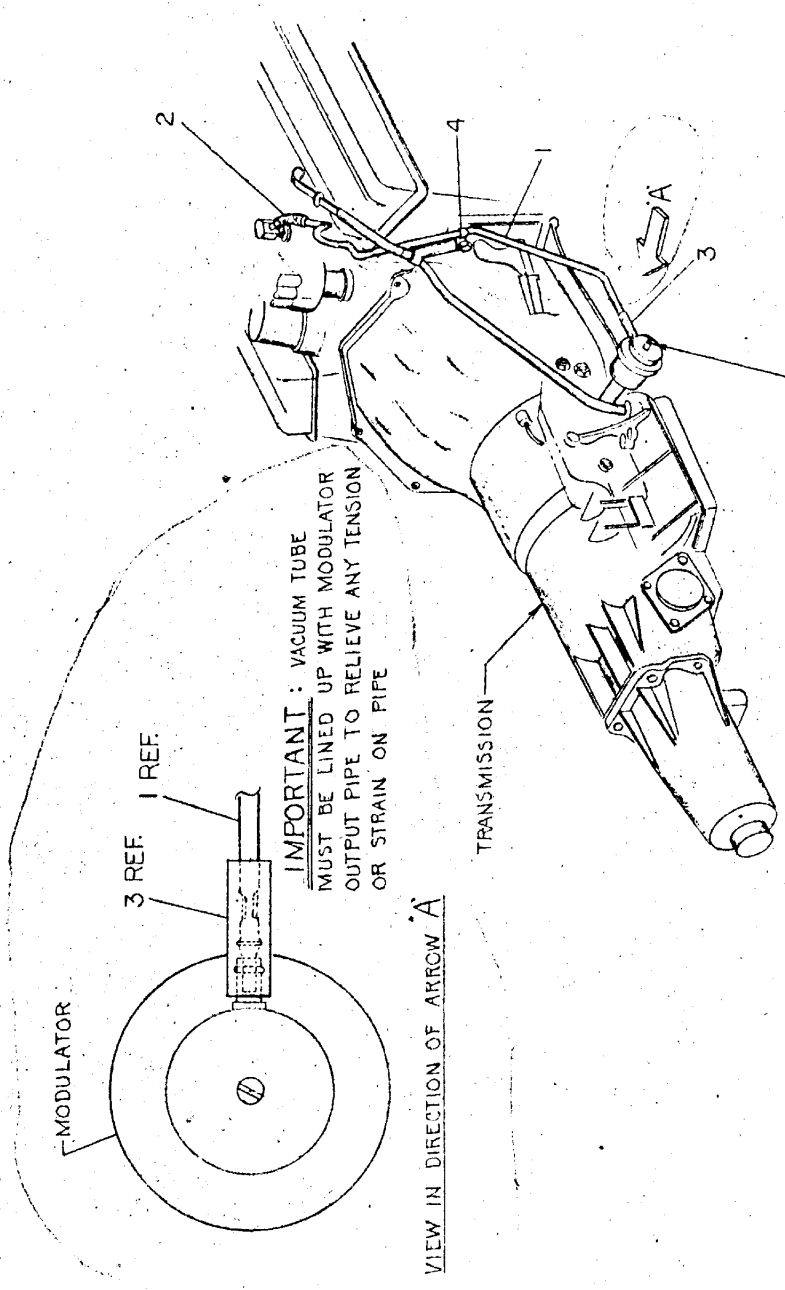


VIEW IN DIRECTION OF ARROW "A"

CHECKER MOTORS CORP. KALAMAZOO, MICH.

EFFECTIVE MAR 1, 1973

MODEL: B-11 B-12 B-12E B-12W B-11E	DATE 12-19-72	GRAPHIC ILLUSTRATION TRANSMISSION CONTROLS - VACUUM - 8 CYL. HYDRA-MATIC	DWN. DEKKA CHK. ...	SHEET NO. 415 A-4
APPVD. SUPERSEDES G.I. 415 A-2 PER MEMO 326			DATE	CHANGES
1. 706088 TUBE - TRANS. VACUUM. CONT.			2-7-73	706390 Auto
2. 704694 HOSE - TRANS. VACUUM. CONT. TUBE			5-23-73	TENSION NUT Auto
3. 706390 HOSE - TRANS. VACUUM. CONT. TUBE				80352 CLIP Auto
4. 80352 CLIP - "J" TYPE				



IMPORTANT: VACUUM TUBE MUST BE LINED UP WITH MODULATOR OUTPUT PIPE TO RELIEVE ANY TENSION OR STRAIN ON PIPE

DO NOT CHANGE MODULATOR ADJUSTING SCREW SETTING. THIS SCREW HAS BEEN FACTORY CALIBRATED AND SEALED

VIEW IN DIRECTION OF ARROW 'A'