

EFFECTIVE OCT. 1, 1969

CHECKER MOTORS CORP. KALAMAZOO, MICH.

MODEL: A-12
A-12E
A-12N

A-12WB

DATE
9-4-69

GRAPHIC ILLUSTRATION
WIRING - INSTR. DASH

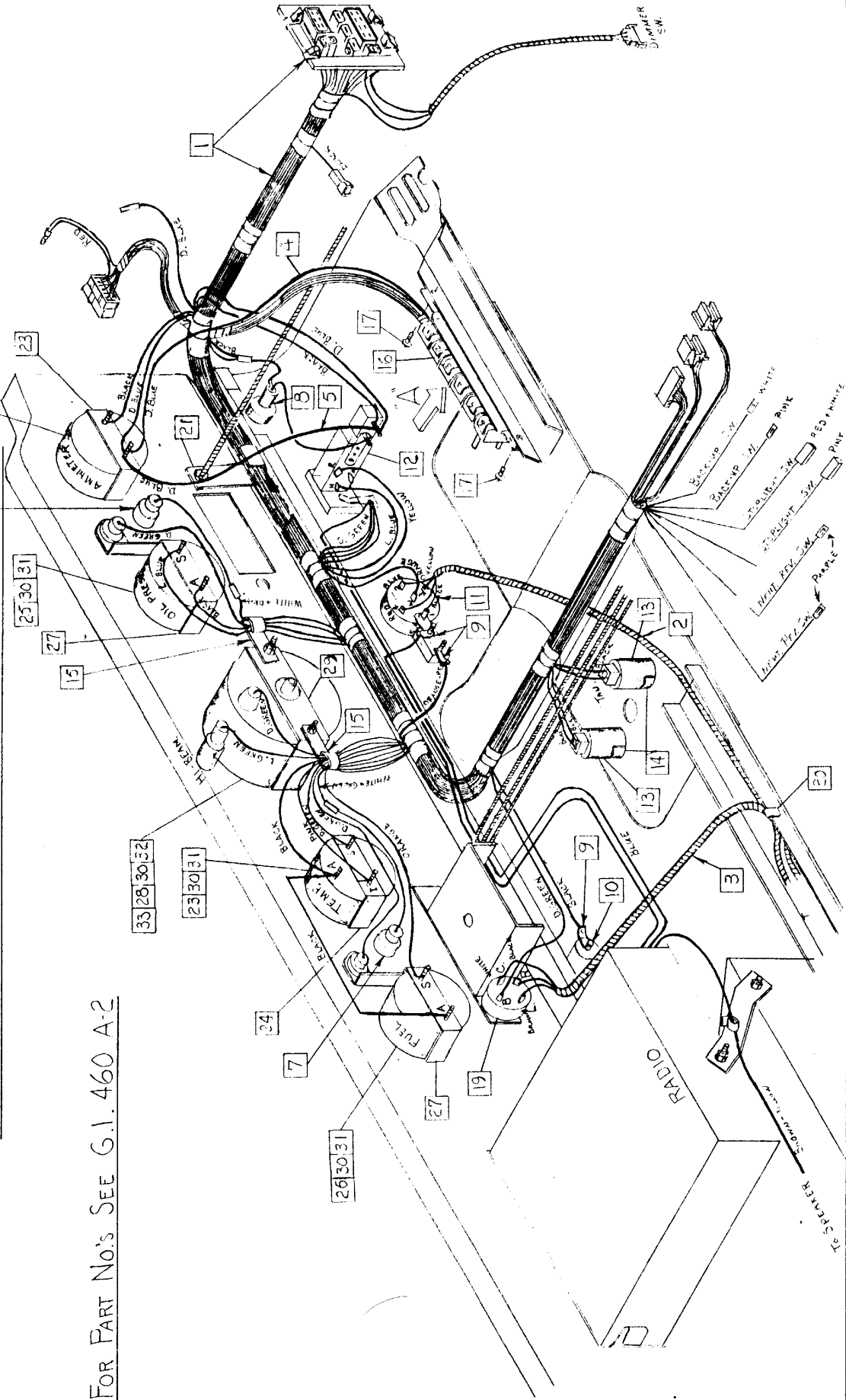
DWN. DEKKER
CHK. *[Signature]*

SHEET NO. 460 A-1

APPVD.

CANCELLED SUPERCEDED BY G.I. 4607A-3

FOR PART NO'S SEE G.I. 460 A-2



CHECKER MOTORS CORP. KALAMAZOO, MICH.

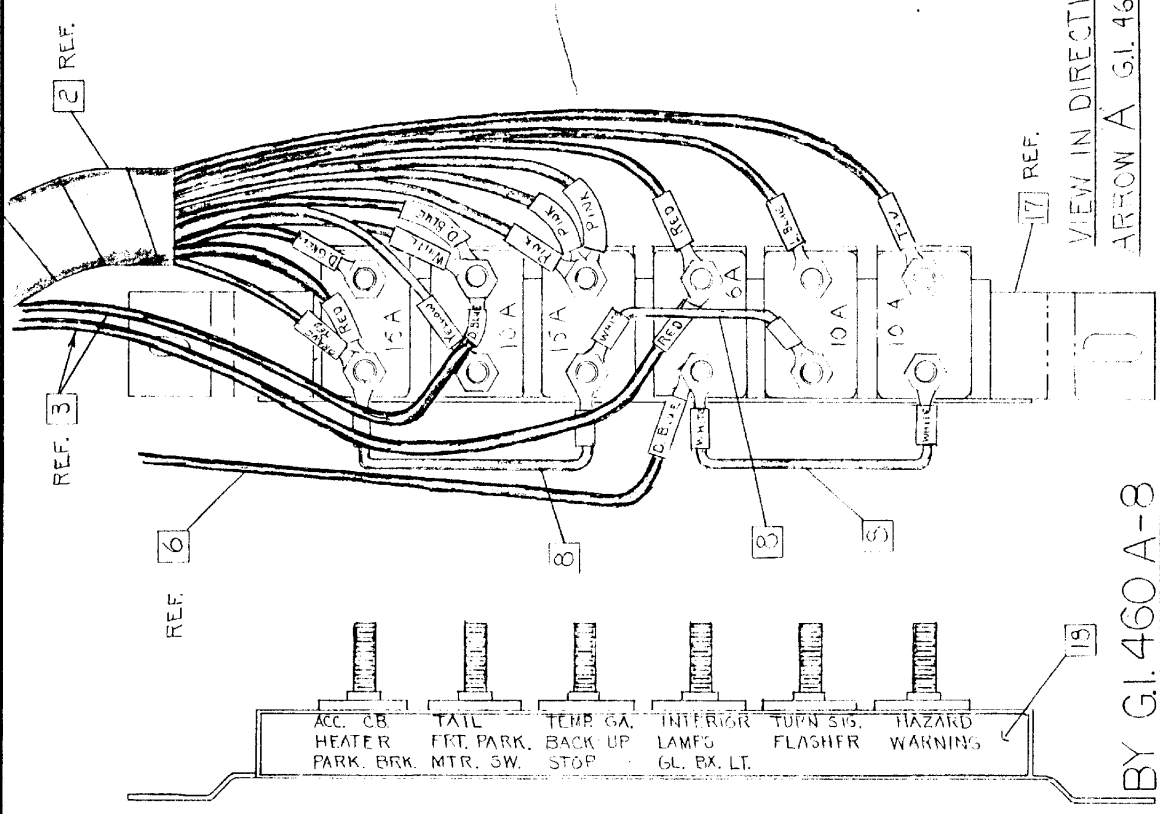
EFFECTIVE OCT. 1, 1969

SHEET NO. 460 A-4

DWN. DEKKER
CHK. *[Signature]*
APPVD.

MODEL: A-12 A-12E A-12W
DATE 9-30-69
GRAPHIC ILLUSTRATION
WIRING - INSTR. DASH

1. 704689 PANEL - INSTR. MTG.
2. 703558 HARNESS ASSEM. - INSTR. DASH WIRING
3. 703622 HARNESS ASSEM. - ROOF * TELL TALE LIGHTS
4. 641491 HARNESS ASSEM. - ELEC. W/S WIPERS
5. 703703 WIRE ASSEM. - WIPER SW. EXTENSION
6. 97329 CABLE ASSEM. - AMMETER WIRING (16" Lg.)
7. 97325 CABLE ASSEM. - AMMETER WIRING (8" Lg.)
8. 635279 LEAD ASSEM. (3)
9. 703600 WIRE * SOCKET ASSEM. - TURN SIG. IND. (2)
10. 703698 LAMP * SOCKET ASSEM. - BRAKE WARN. LIGHT
11. 626845 TERMINAL - MALE BLADE (2)
12. 97632 SOCKET ASSEM. - CIGAR LIGHTER
13. 641513 SWITCH ASSEM. - W/S WIPER
14. 93814 SWITCH ASSEM. - HEADLAMP
15. 701766 FLASHER ASSEM. - (2)
16. 82144 CLIP - J' TYPE (2)
17. 704713 BRACKET - C.B. MTG.
18. 704687 LABEL - C.B. IDENT.
19. 97180 AMMETER
20. 703166 GAGE ASSEM. - WATER TEMP.
21. 95442 BRACKET ASSEM. - AMM. * TEMP. GAGE (2)
22. 97189 GAGE ASSEM. - OIL PRESS.
23. 97197 GAGE ASSEM. - FUEL
24. 639204 BRACKET ASSEM. - FUEL, OIL GAGE (2)
25. 97185 SPEEDOMETER ASSEM.
26. 94958 BRACKET - SPEEDO. MTG.
27. 120614 NUT * 10-32 HEX. (2) SPEEDO, (4) AMM. OIL - FUEL GAGE, (5) TEMP., (16) CIRCUIT BREAKERS
28. 135497 L.W. * 10 EXT. TOOTH (4) OIL - FUEL, (6) TEMP., (7) AMM., (16) CIRCUIT BREAKERS.
29. 120217 L.W. * 10 MED. SPRING. (2)
30. 92569 CLIP J' TYPE 1/4 HOLE (2)
31. 120392 WASHER 3/32 ID. * 3/32 OD (2)



VIEW IN DIRECTION OF
ARROW A G.I. 460 A-3

CANCELLED SUPERSEDED BY G.I. 460 A-8

CHECKER MOTORS CORP. KALAMAZOO, MICH.

EFFECTIVE OCT 1, 1970

MODEL:
A-11
A-11E

DATE
5-6-71

GRAPHIC ILLUSTRATION

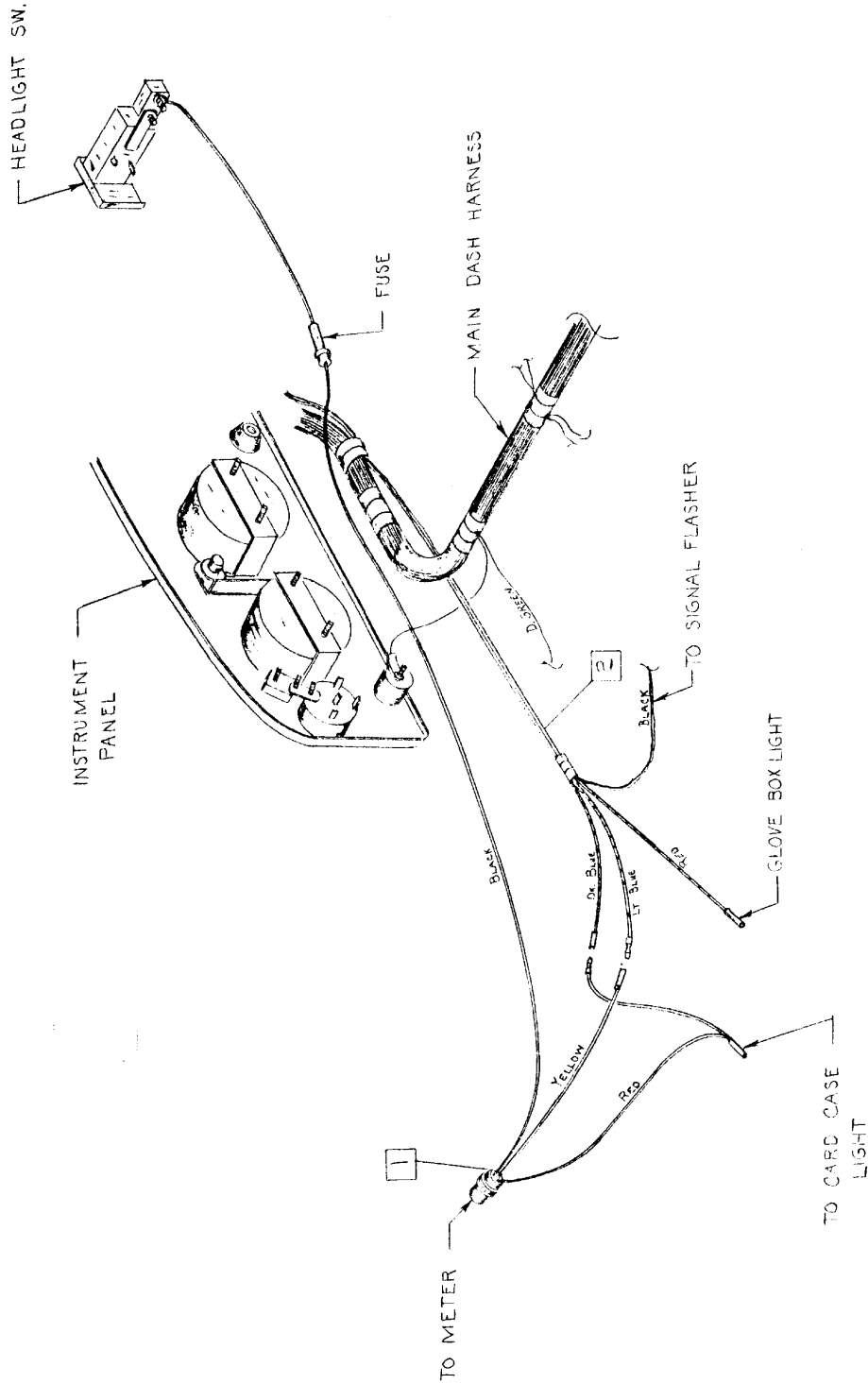
WIRING - DASH METER (ROCKWELL)

DWN. DEKKER
CHK. *[Signature]*

SHEET NO. 460 A-5

APPVD.

1. 647642 HARNESS ASM. - TAXI METER.
2. 703622 HARNESS ASM. - ROOF + TELL TALE LIGHTS

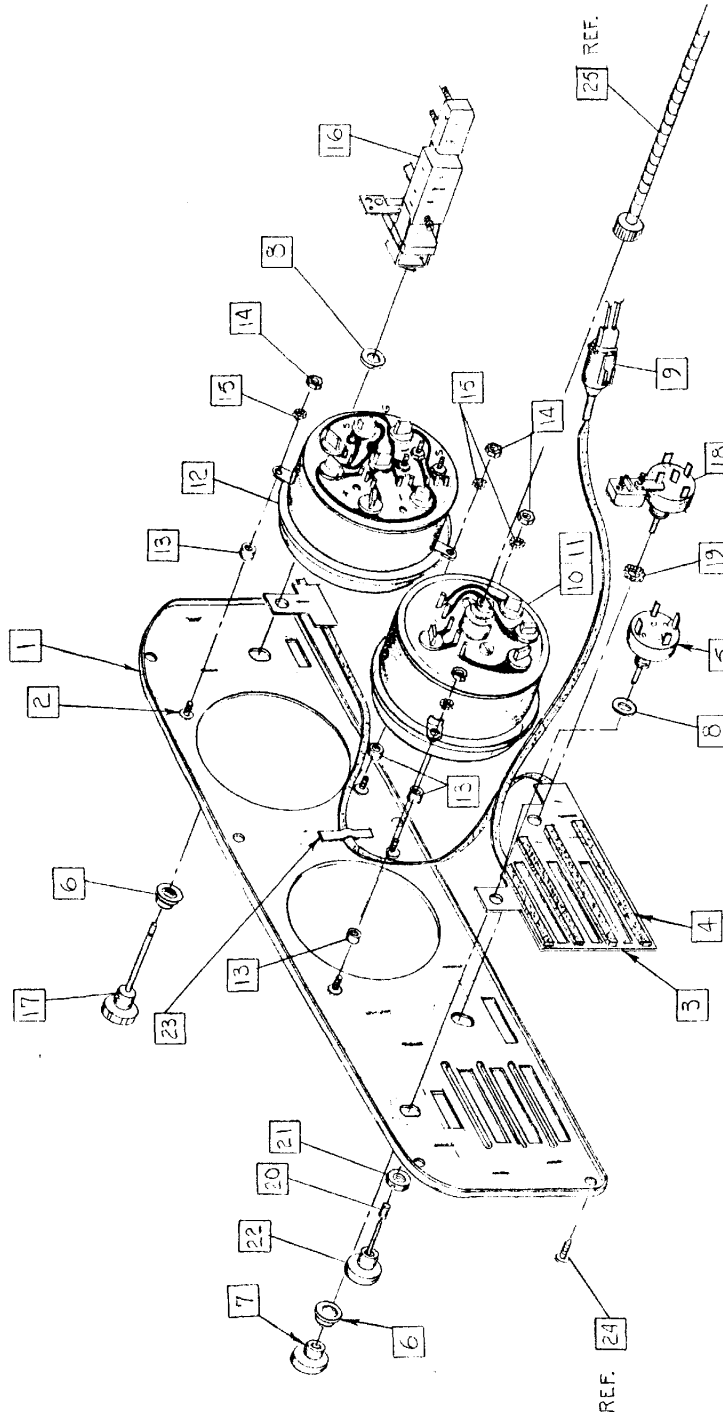


CHECKER MOTORS CORP. KALAMAZOO, MICH.

EFFECTIVE AUG 1, 1972

MODEL:	A-12	DATE	5-9-72
A-11	A-12E	GRAPHIC ILLUSTRATION	
A-11E	A-12W	WIRING - DASH - INSTRUMENT INSTALLATION	
DWN. DEKES	CHK. <i>SS</i> <i>5/2/72</i>	SHEET NO.	460 A-6
APPVD.	SUPERSEDES 31 460 A-3 PER MEMO 313	DATE	

647924 PANEL ASM. - INST. COMPLETE



- | | | | | | |
|-----|--------|---|-----|--------|--------------------------------------|
| 12. | 647919 | GAUGE CLUSTER ASM. - FUEL | 24. | 626898 | SCREW * WASHER ASM. "3 x 3/4" (6) |
| 11. | 647918 | SPEEDOMETER ASM. - KILLO. | 23. | MA-109 | TAPE "3" x "1" |
| 10. | 647917 | SPEEDOMETER ASM. | 22. | 639252 | KNOB * ROD ASM. - W/S WASHER CONTROL |
| 9. | 647926 | SOCKET, BULB * WIRE ASM. - FIBER OPTIC. | 21. | 630532 | NUT - HOLDING W/S WIPER |
| 8. | 120388 | WASHER 7/16 ID. x 1 OD. (2) | 20. | 640586 | CAP - W/S WASHER PLUNGER |
| 7. | 631260 | KNOB * SCREW ASM. - CONTROL. | 19. | 136857 | L.W. 7/16 EXT. TOOTH |
| 6. | 627297 | PLATE - SWITCH FACE (2) | 18. | 641512 | SWITCH ASM. - W/S WIPER * WASHER |
| 5. | 629318 | SWITCH ASM. - ROTARY FAN | 17. | 93820 | KNOB * STEM ASM. - HEADLAMP SW. |
| 4. | 640647 | STRIP - 1/4 x 3/4 x 3/32 THK. (4) | 16. | 93314 | SWITCH ASM. - HEADLAMP |
| 3. | 647925 | RIBBON ASM. - FIBER OPTIC | 15. | 135473 | L.W. "10 EXT. TOOTH" (4) |
| 2. | 626291 | BOLT "10-32 x 1/2 OHIO WELD. (4) | 14. | 120614 | NUT "10-32 HEX. (4) |
| 1. | 646502 | PANEL - INST. MOUNTING | 13. | 646499 | SPACER GAUGE MTS. - INST. PANEL (4) |
| | | | | | 25. 706150 CABLE ASM. - SPEEDO. |

DATE	CHANGES
5-1-72	706150 WAS 701187 +
~	703215

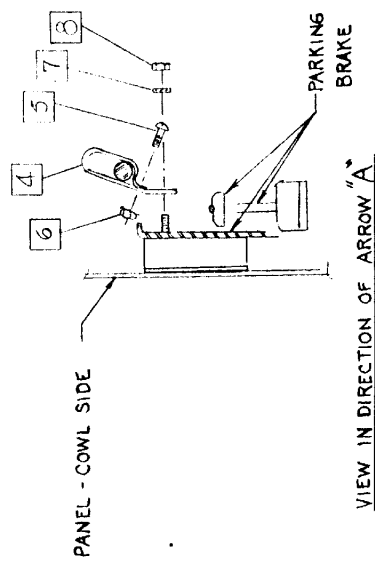
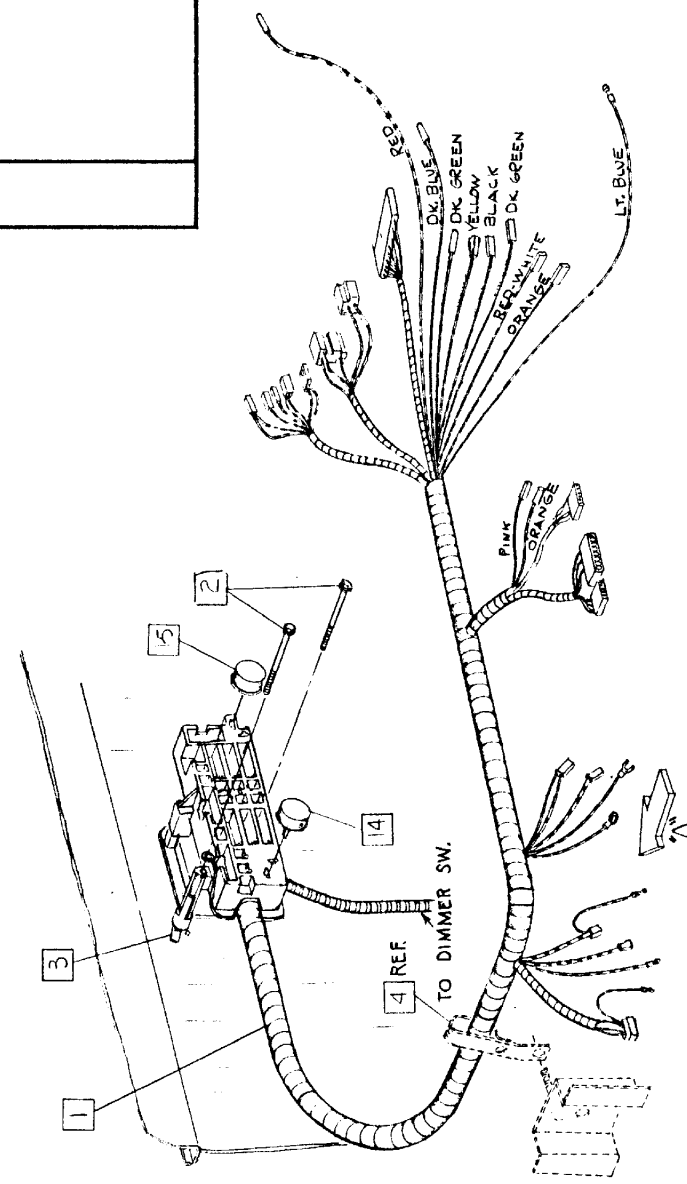
CHECKER MOTORS CORP. KALAMAZOO, MICH.

EFFECTIVE AUG. 1, 1972

MODEL:	A-12	DATE	6-1-72
A-11	A-12WB	GRAPHIC ILLUSTRATION	
A-11E	A-12W	WIRING - INST. DASH.	
		DWN. DEKKE	
		CHK. 75-4/1/72	
		APPVD. SUPERSEDES 311 460 A-4 PER MEMO. 513	
		SHEET NO. 460 A-8	

CHANGES	DATE
7-0-72 "TO Dimmer Sw." Added	
8-2-72 443640 WAs 191873	
8-21-72 120376 WAs 120368	
8-30-72 626907 WAs 626906	
9-21-72 705154 WAs 705153	
10-16-72 546664 WAs 546663	
~ 626909 WAs 443640	
3-15-73 546664 WAs 644772	
~ 626917 * 918 WAs 626906 * 05	

1. 647915 HARNESS ASM. - INST. DASH WIRING
2. 626918 SCREW #10-16 x 3 HEX TAPP... (2)
3. 626917 NUT - TINN. J-TYPE (2)
4. 646664 CLIP
5. 189129 SCREW 1/4-20 x 3/8 THCR
6. 271172 NUT - LW ASM. 1/4-20 HEX.
7. 120214 L.W. 3/16 MED. SPRING REF. - PART OF PARK. BRAKE INSTALL.
8. 120376 NUT 3/16-18 HEX.
9. 647926 SOCKET, BULB - WIRE ASM.
10. 647924 PANEL ASM. - INST. COMPLETE
11. 647932 HARNESS ASM. - ELEC. W/S WIPER
12. 703638 WIRING HARNESS - HEATER SW.
13. 647613 BUZZER ASM. - SEAT BELT WARNING
14. 703938 FLASHER - DIR. SIG + WARN.
15. 705154 FLASHER ASM. - FIXED LOAD



BRACKET FOR MTS. PARK. BRAKE LEVER. SEE GI. 72 A-5

FOR WIRE HOOK UP. SEE GI. 450 A-7