

CHECKER MOTORS CORP. KALAMAZOO, MICH.

EFFECTIVE OCT 1, 1972

MODEL:  
B-12  
B-12E  
B-12W

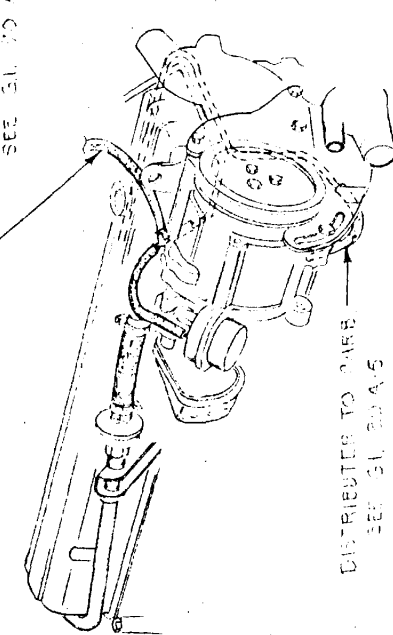
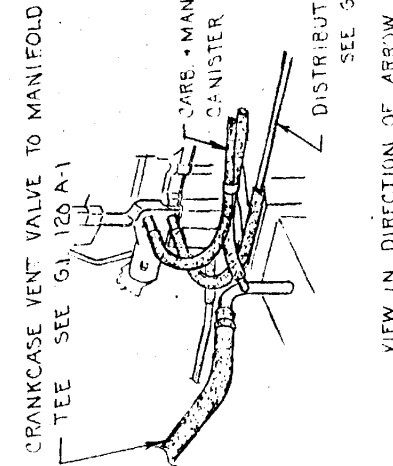
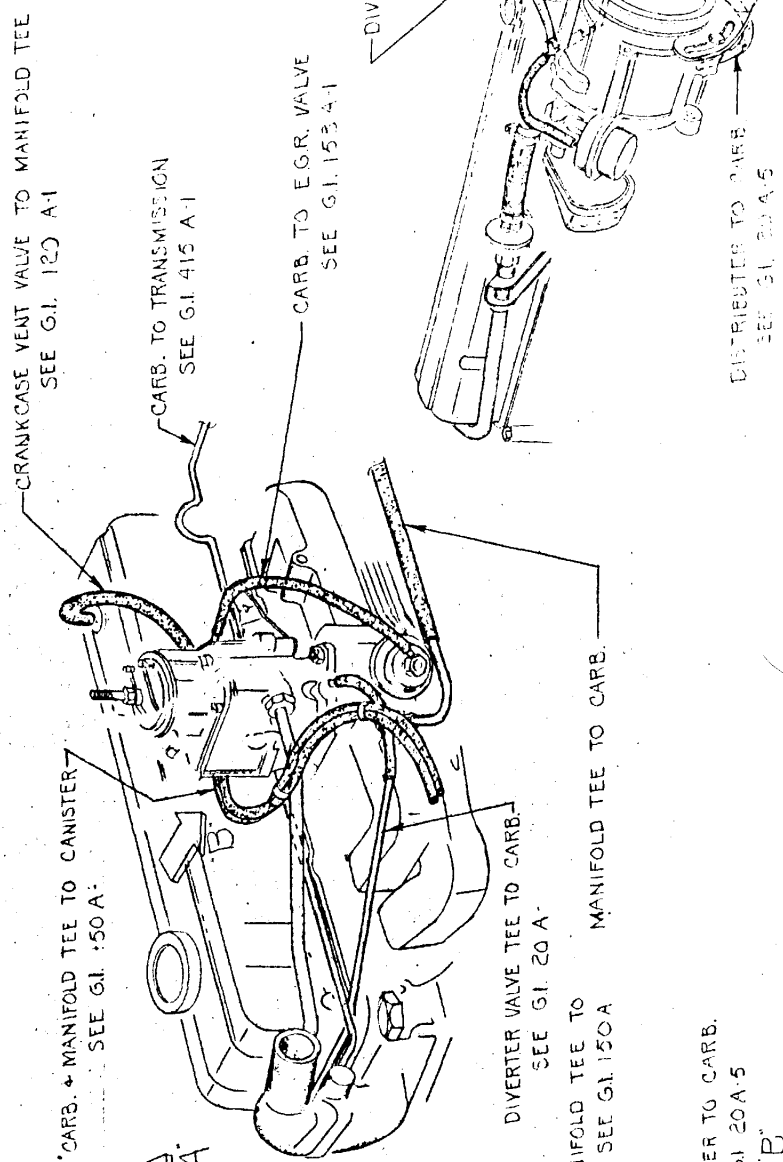
DATE  
8-18-72

GRAPHIC ILLUSTRATION  
VACUUM LINES - GENERAL ROUTING - 6 CYL.

DWN. DESIGER  
CHK.  
APPVD.

SHEET NO. 423 A-1  
MEMO 513

DATE	CHANGES



CHECKER MOTORS CORP. KALAMAZOO, MICH.

EFFECTIVE OCT 1, 1972

MODEL:  
B-11  
B-11E  
B-12  
B-12E  
B-12M

DATE  
8-2-72

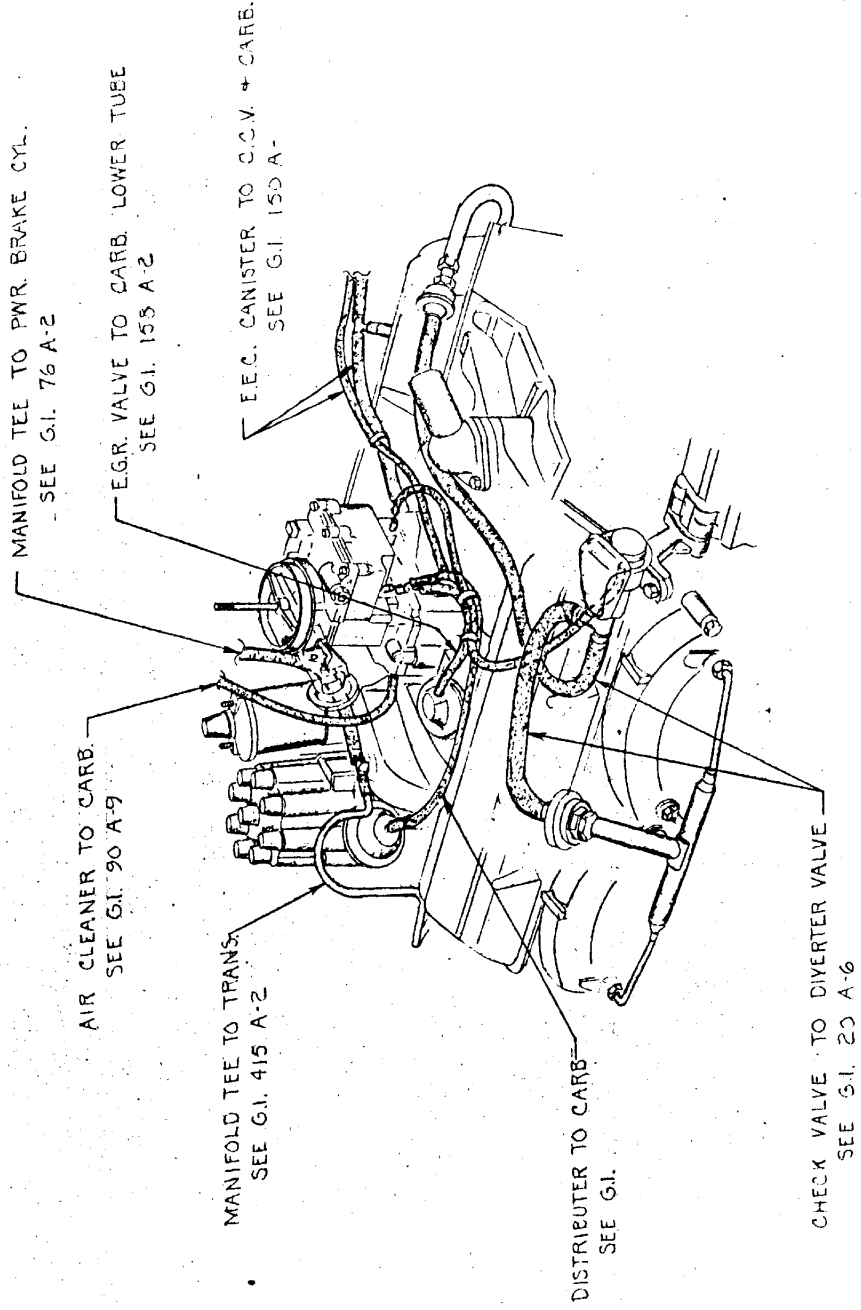
GRAPHIC ILLUSTRATION  
VACUUM LINES - GENERAL ROUTING - 8 Cyl. 2 Bbl.

DWN. DESK  
CHK. E.F. 5-15-72

SHEET NO. 428 A-2  
MEMO " 218

APPVD.

DATE	CHANGES



CHECKER MOTORS CORP. KALAMAZOO, MICH.

EFFECTIVE OCT 1, 1972

MODEL:

B-12WB

DATE

8-4-72

GRAPHIC ILLUSTRATION

VACUUM LINES - GENERAL ROUTING 8 CYL - 4 Bbl.

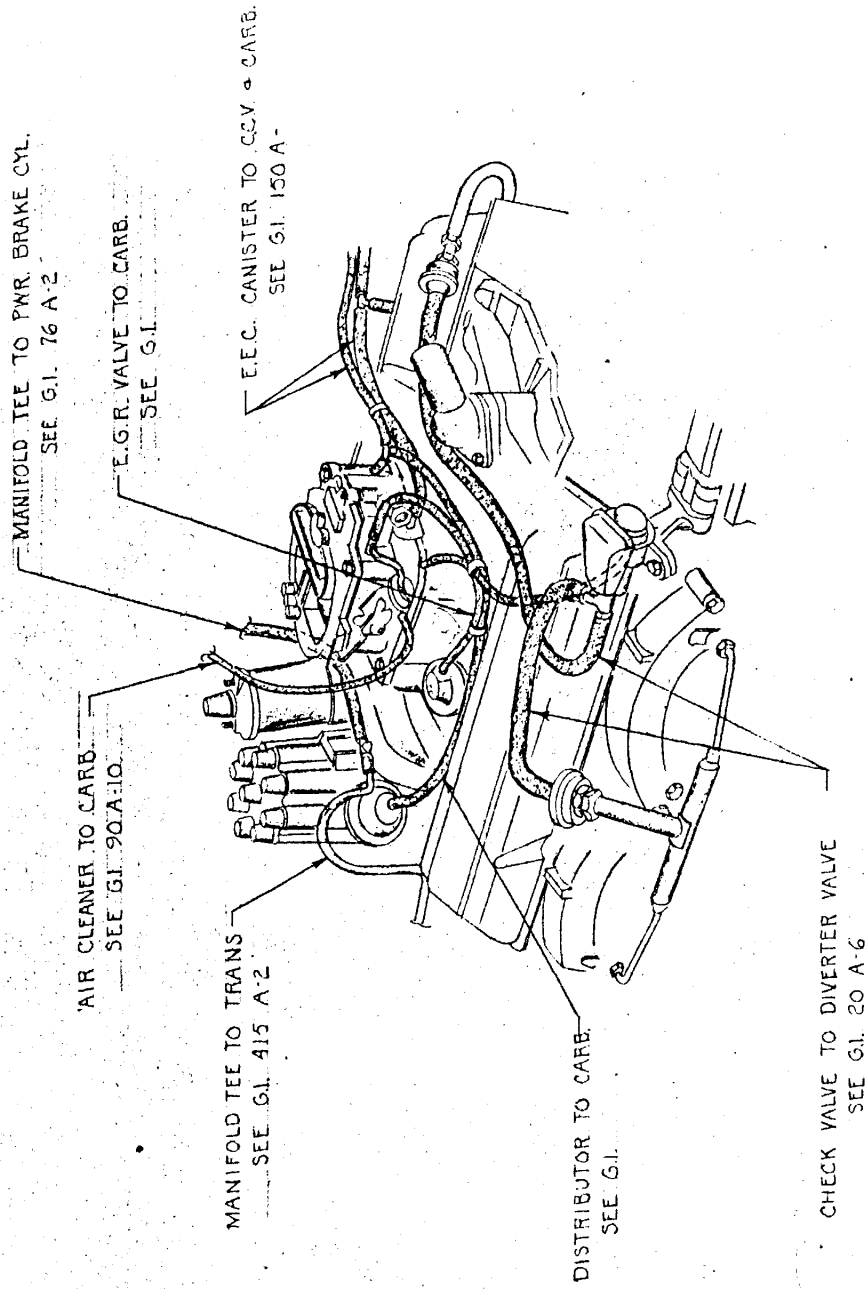
DWN. DEKASER  
CHK. CP 8-15-72

SHEET NO. 428 A-3

APPVD.

DATE

CHANGES



AIR CLEANER TO CARB.  
SEE G.I. 90A:10

MANIFOLD TEE TO TRANS  
SEE G.I. 415 A-2

MANIFOLD TEE TO PWR. BRAKE CYL.  
SEE G.I. 76 A-2

E.G.R. VALVE TO CARB.  
SEE G.I.

E.E.C. CANISTER TO CCV & CARB.  
SEE G.I. 150 A-

DISTRIBUTOR TO CARB.  
SEE G.I.

CHECK VALVE TO DIVERTER VALVE  
SEE G.I. 20 A-6