

EFFECTIVE OCT. 1, 1970

CHECKER MOTORS CORP. KALAMAZOO, MICH.

MODEL: A-11
A-12

DWN. DEKNER
CHK. 11-20-66

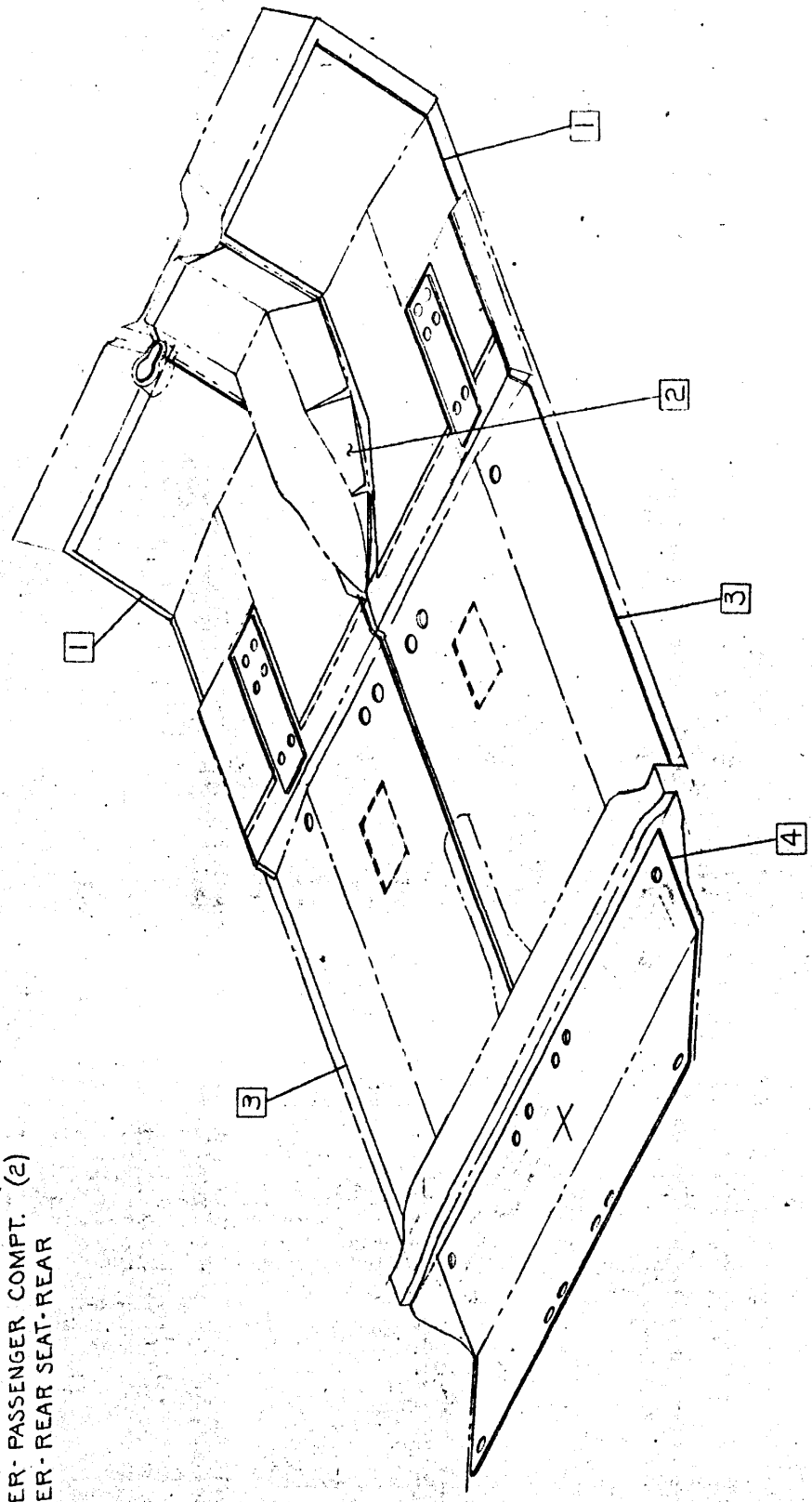
GRAPHIC ILLUSTRATION
DEADENER INSTALLATION - STD. FRT. SEAT

DATE
6-4-69

SHEET NO. 172 A-1

APPVD.

- 1. 644521 DEADENER - FLOOR PAN (2) (A-12 ONLY)
- 2. 634991 DEADENER - FLOOR PAN TUNNEL (A-12 ONLY)
- 3. 634613 DEADENER - PASSENGER COMPT. (2)
- 4. 646452 DEADENER - REAR SEAT - REAR



9-23-71	646452 WAS 640271
DATE	CHANGES

EFFECTIVE OCT. 1, 1970

CHECKER MOTORS CORP. KALAMAZOO, MICH.

SHEET NO. 172 A-2

DWN. DEKKER
CHK. SA II-20-68

GRAPHIC ILLUSTRATION

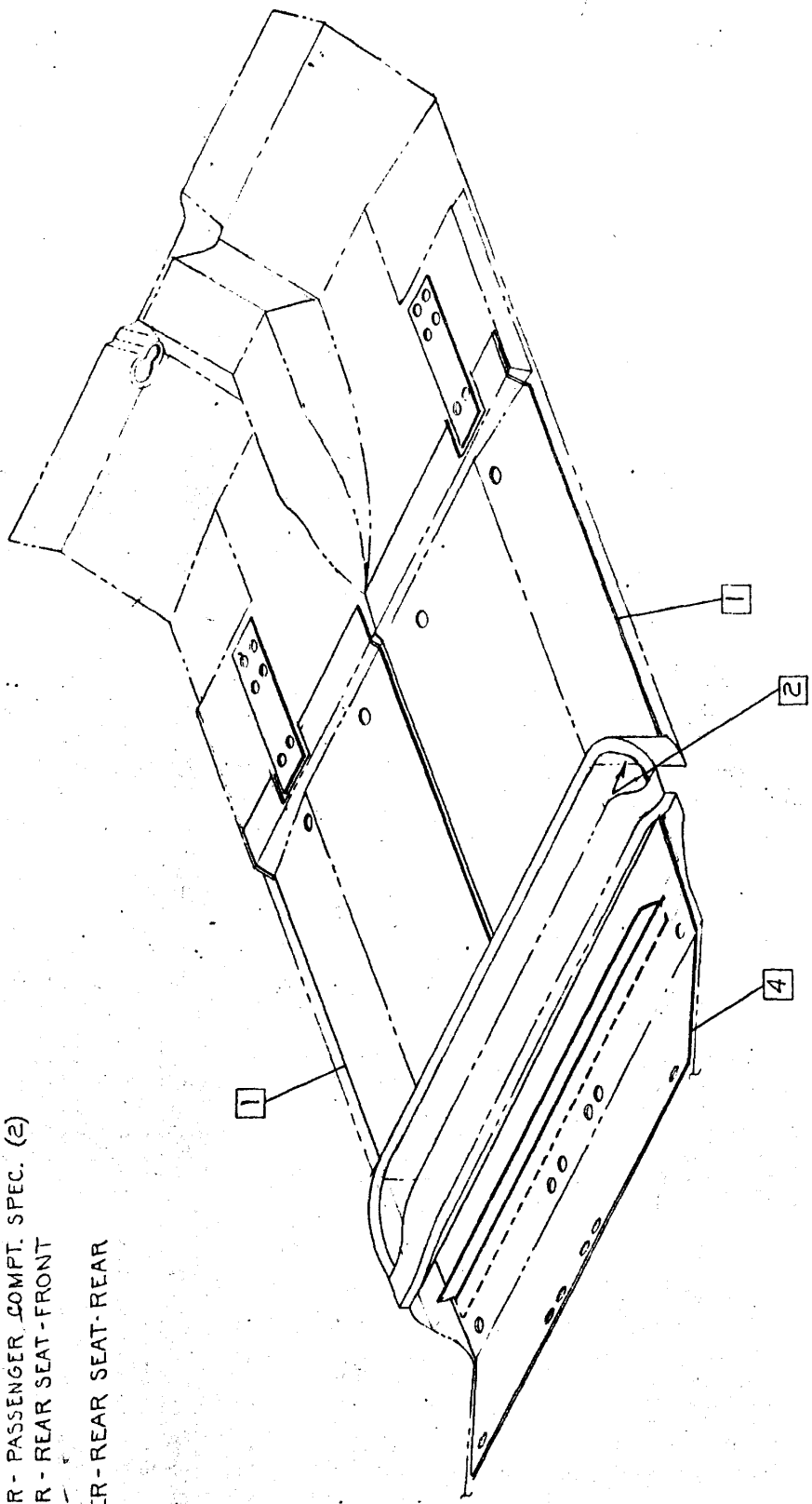
DEADENER - INSTALLATION - REAR SEAT FWD. - STD. FRT. SEAT

APPVD.

DATE
6-4-69

MODEL: A-11

- 1. 640267 DEADENER - PASSENGER COMPT. SPEC. (2)
- 2. 640269 DEADENER - REAR SEAT - FRONT
- 3. 646452 DEADENER - REAR SEAT - REAR



6-15-72	640270	REMOVED
6-18-72		POSITIVE CHANGE
7-23-71	646452	WAS 640271

DATE CHANGES

CHECKER MOTORS CORP. KALAMAZOO, MICH.

EFFECTIVE OCT. 1, 1970

MODEL: A-11

DATE

6-4-69

GRAPHIC ILLUSTRATION

DEADENER INSTALLATION - THIN BACK FRONT SEAT

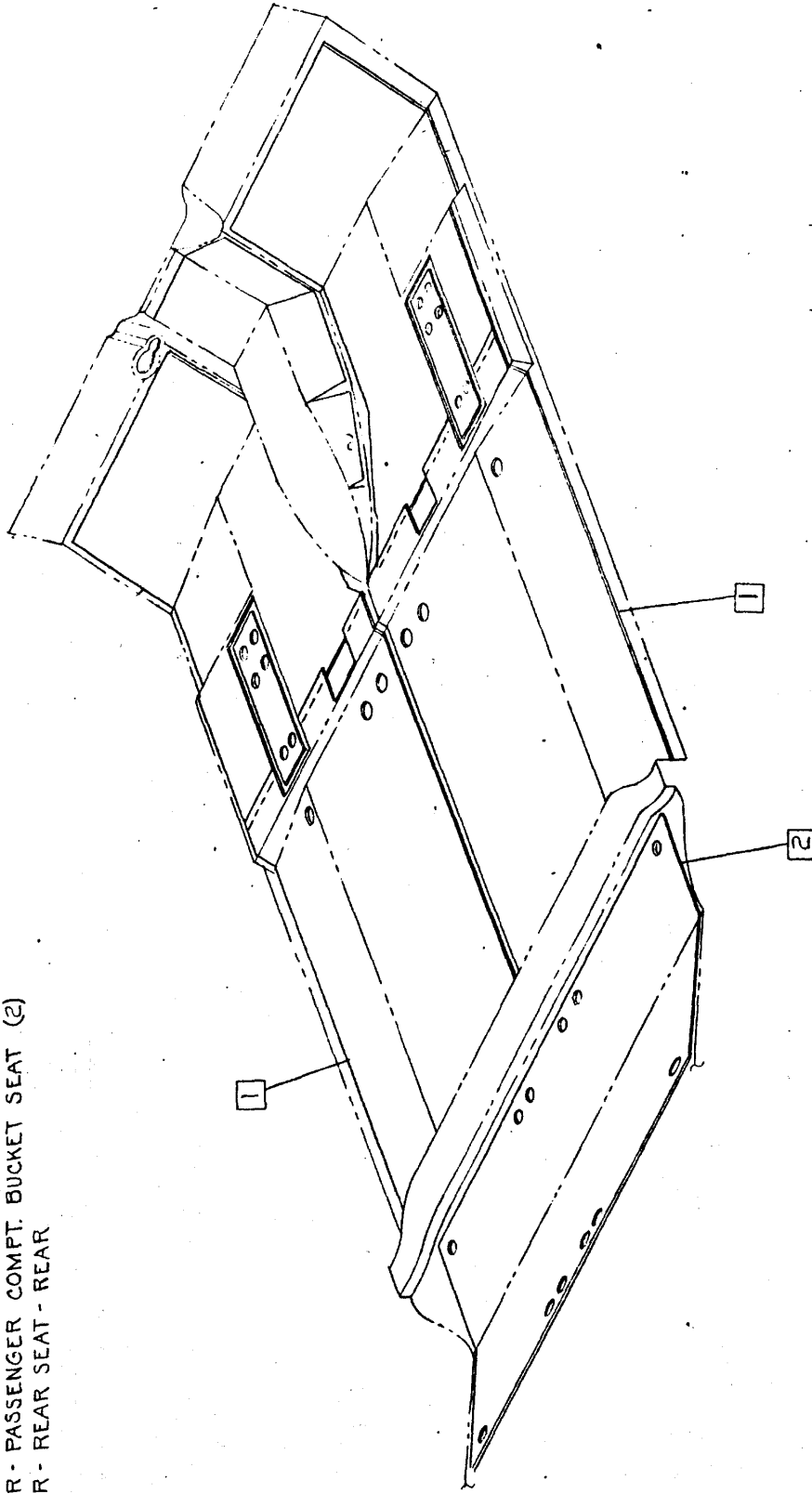
DWN. DEKKER

CHK. G. V. 11-24-70

APPVD.

SHEET NO. 172 A-3

- 1. 644635 DEADENER - PASSENGER COMPT. BUCKET SEAT (2)
- 2. 646452 DEADENER - REAR SEAT - REAR



7-23-71	646452 INGS 640271
DATE	CHANGES

CHECKER MOTORS CORP. KALAMAZOO, MICH.

EFFECTIVE OCT. 1, 1970

MODEL: A-11
A-12

DATE

6-4-69

GRAPHIC ILLUSTRATION

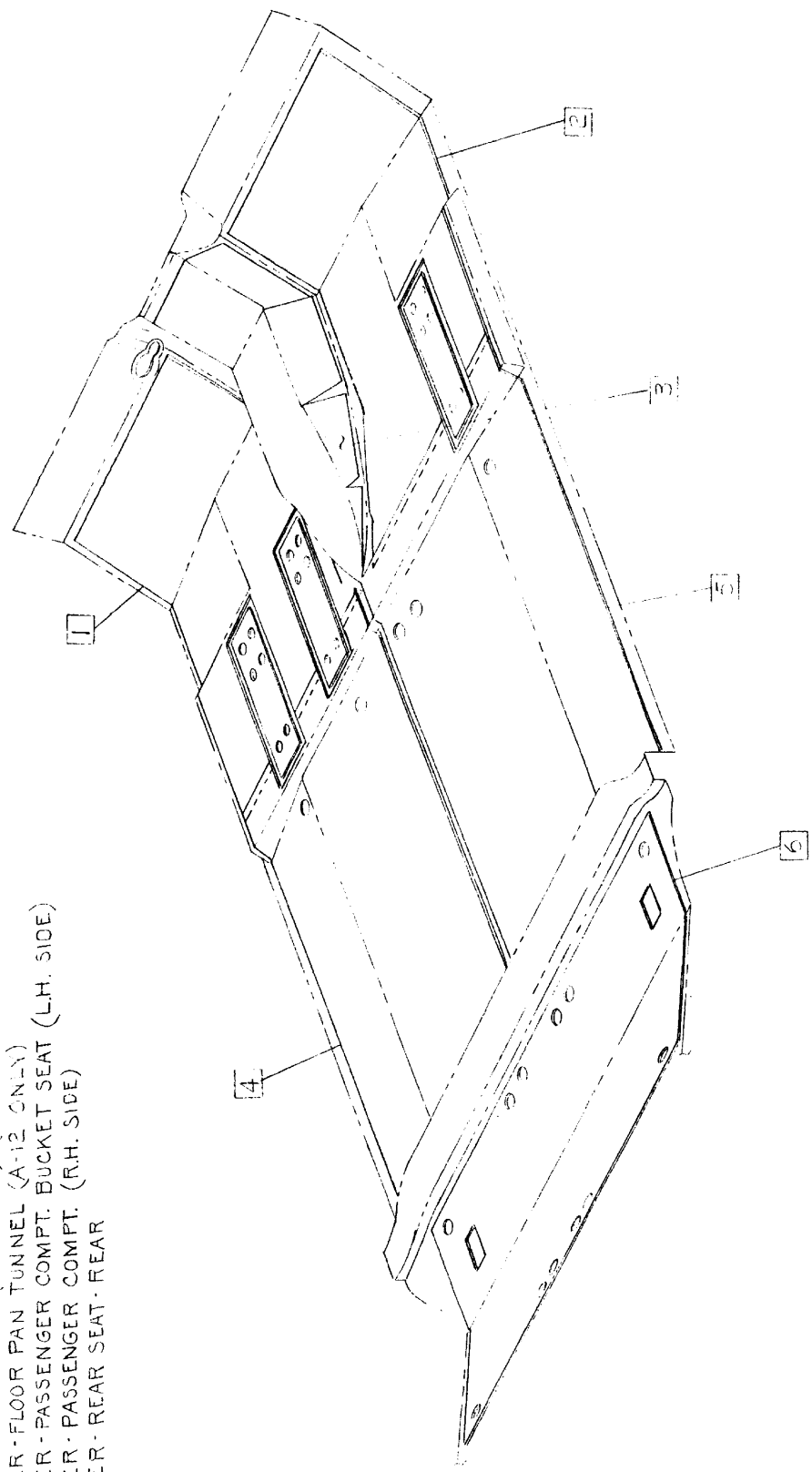
DWN. DECKER
CHK. BY 11-2-69

SHEET NO. 172 A-4

DEADENER INSTALLATION - SINGLE BUCKET SEAT

APPVD.

- 1. 644633 DEADENER - FLOOR PAN BUCKET SEAT (L.H. SIDE) (A-12 ONLY)
- 2. 644521 DEADENER - FLOOR PAN (R.H. SIDE) (A-12 ONLY)
- 3. 634991 DEADENER - FLOOR PAN TUNNEL (A-12 ONLY)
- 4. 644635 DEADENER - PASSENGER COMPT. BUCKET SEAT (L.H. SIDE)
- 5. 634613 DEADENER - PASSENGER COMPT. (R.H. SIDE)
- 6. 640271 DEADENER - REAR SEAT - REAR



~~CANCELLED OPTICAL DISCONTINUED~~

CHECKER MOTORS CORP. KALAMAZOO, MICH.

EFFECTIVE OCT. 1, 1970

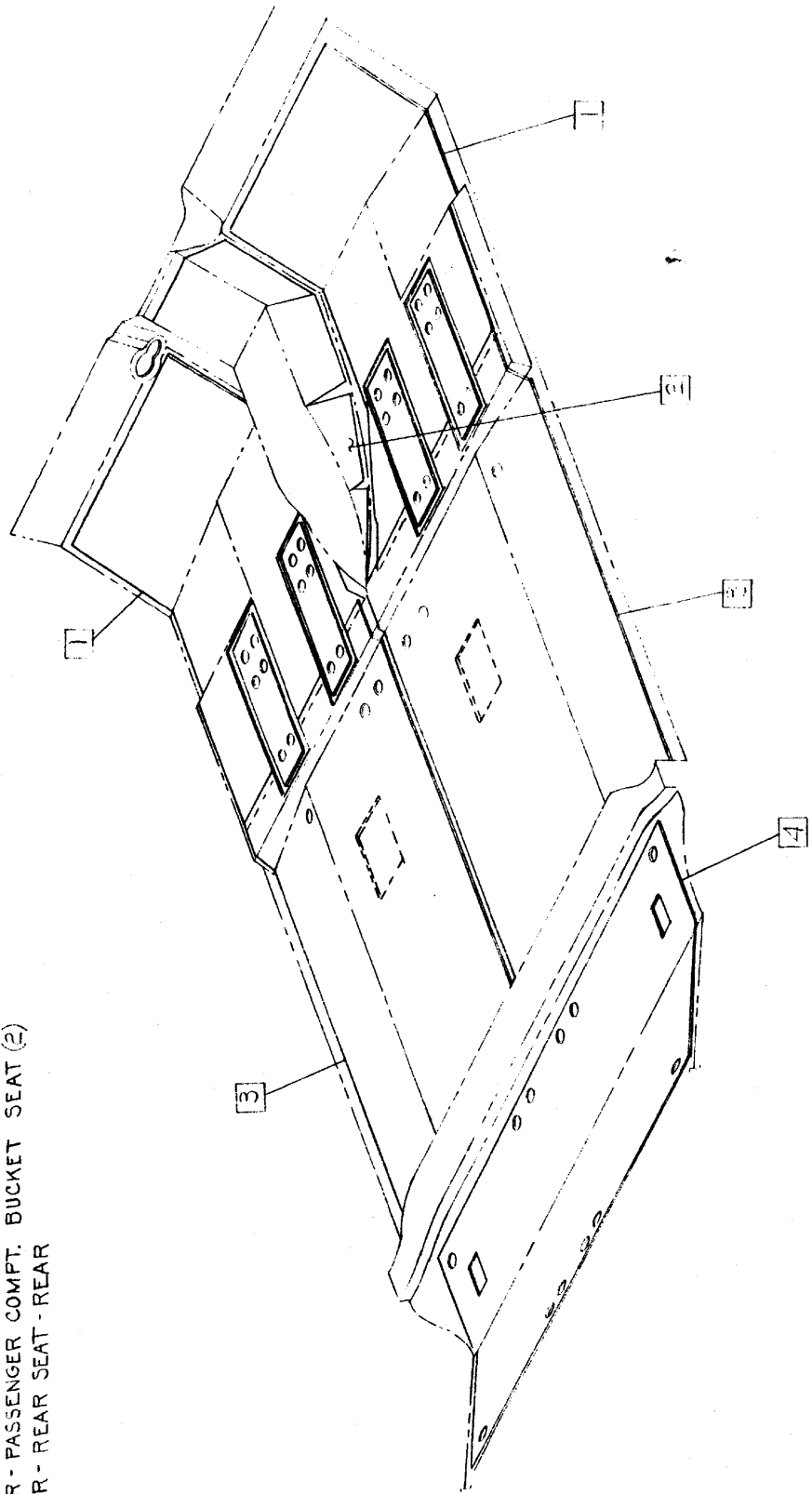
MODEL:	A-11	DATE	6-4-69	DWN. DEKOR	SHEET NO.	172	A-5
	A-12						

GRAPHIC ILLUSTRATION

DEADENER INSTALLATION - TWIN BUCKET SEATS

APPVD.

- 1. 644633 DEADENER - FLOOR PAN BUCKET SEAT (2) (A-12 ONLY)
- 2. 634991 DEADENER - FLOOR PAN TUNNEL (A-12 ONLY)
- 3. 644635 DEADENER - PASSENGER COMPT. BUCKET SEAT (2)
- 4. 640271 DEADENER - REAR SEAT - REAR



CANCELLED OPTION DISCONTINUED

EFFECTIVE OCT. 1, 1970

CHECKER MOTORS CORP. KALAMAZOO, MICH.

SHEET NO. 172 A-6

DWN. DEKKER
CHK. J.M. H. 11-10-68

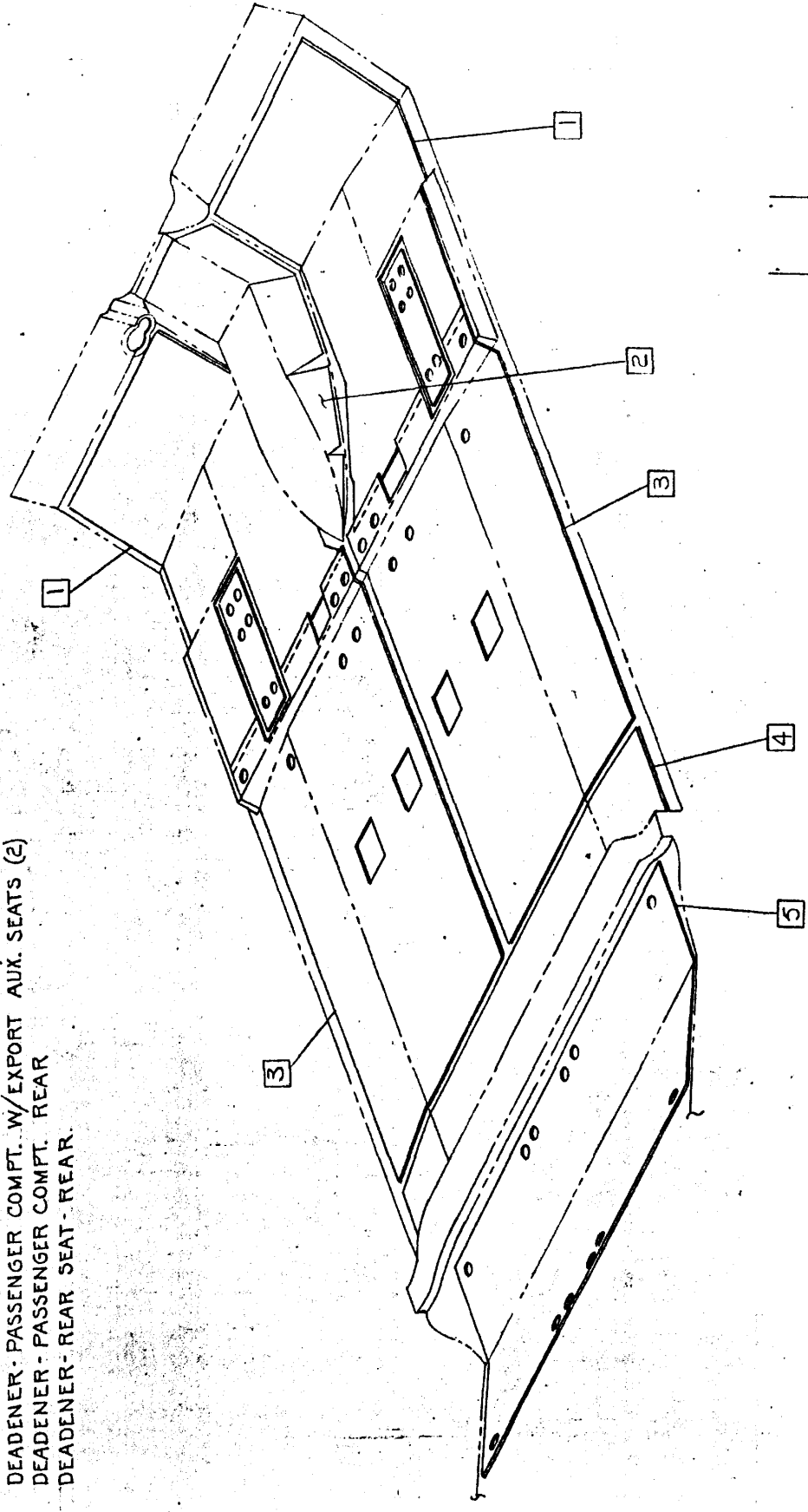
MODEL: A-11E
A-12E

DATE
9-4-69

GRAPHIC ILLUSTRATION

APPVD.

- 1. 644521 DEADENER - FLOOR PAN (2) (A-12E ONLY)
- 2. 634991 DEADENER - FLOOR PAN TUNNEL (A-12E ONLY)
- 3. 644620 DEADENER - PASSENGER COMPT. W/EXPORT AUX. SEATS (2)
- 4. 644621 DEADENER - PASSENGER COMPT. REAR
- 5. 646452 DEADENER - REAR SEAT - REAR.



7-23-71	646452	WAS	640271
DATE	CHANGES		

CHECKER MOTORS CORP. KALAMAZOO, MICH.

EFFECTIVE OCT 1, 1970

DWN. DENKER
CHK. G.M. 10-1-68

SHEET NO. 172 A-7

MODEL: A-11E
A-12E

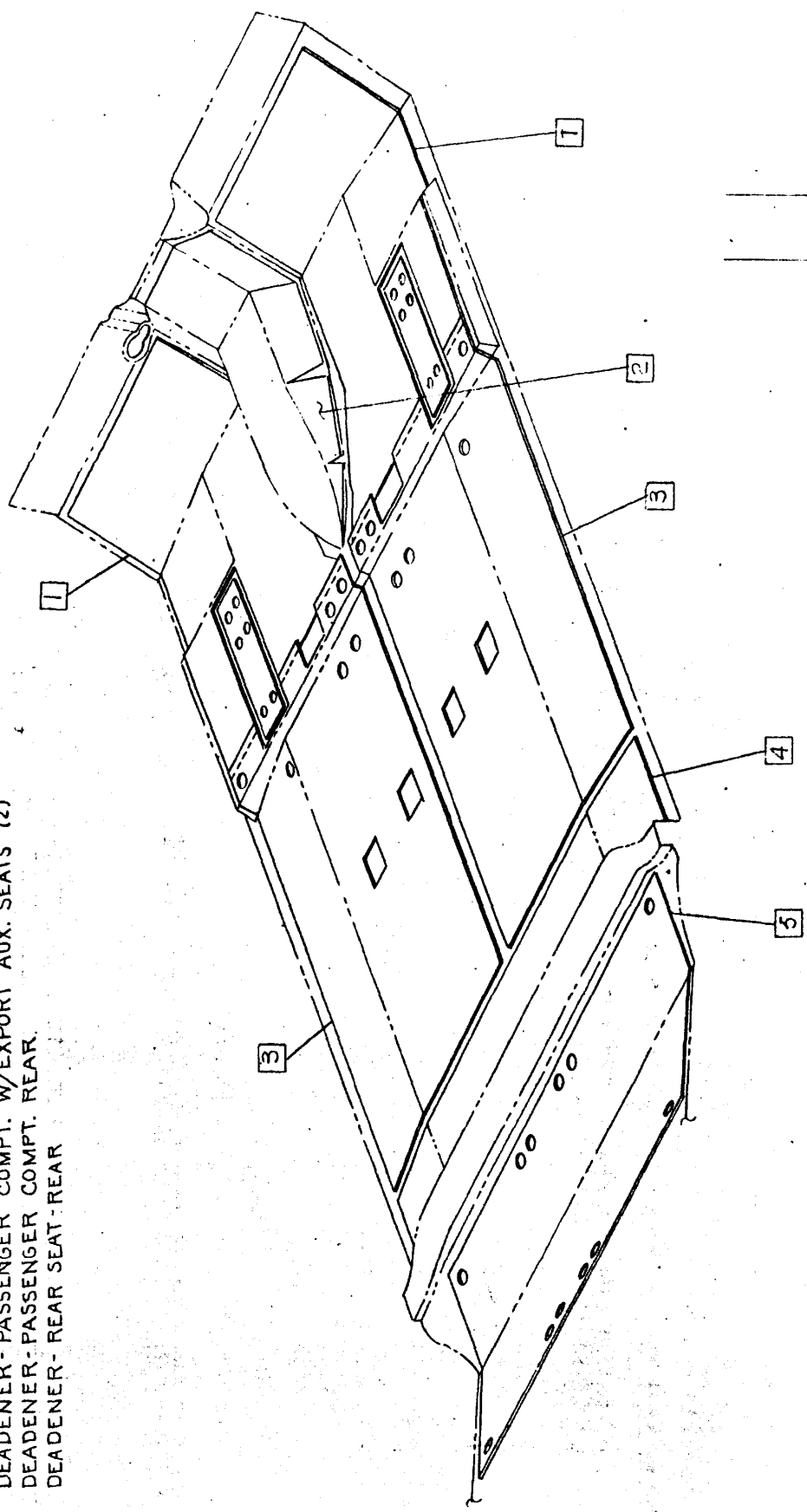
DATE
6-4-69

GRAPHIC ILLUSTRATION

APPVD.

DEADENER INSTALLATION - THIN BACK FRNT. SEAT. W/EXPORT SEAT

- 1. 644521 DEADENER - FLOOR PAN (2) (A-12E ONLY)
- 2. 634991 DEADENER - FLOOR PAN TUNNEL (A-12E ONLY)
- 3. 644620 DEADENER - PASSENGER COMPT. W/EXPORT AUX. SEATS (2)
- 4. 644621 DEADENER - PASSENGER COMPT. REAR.
- 5. 646452 DEADENER - REAR SEAT - REAR



7-23-71 646452 WAS 640271

DATE CHANGES

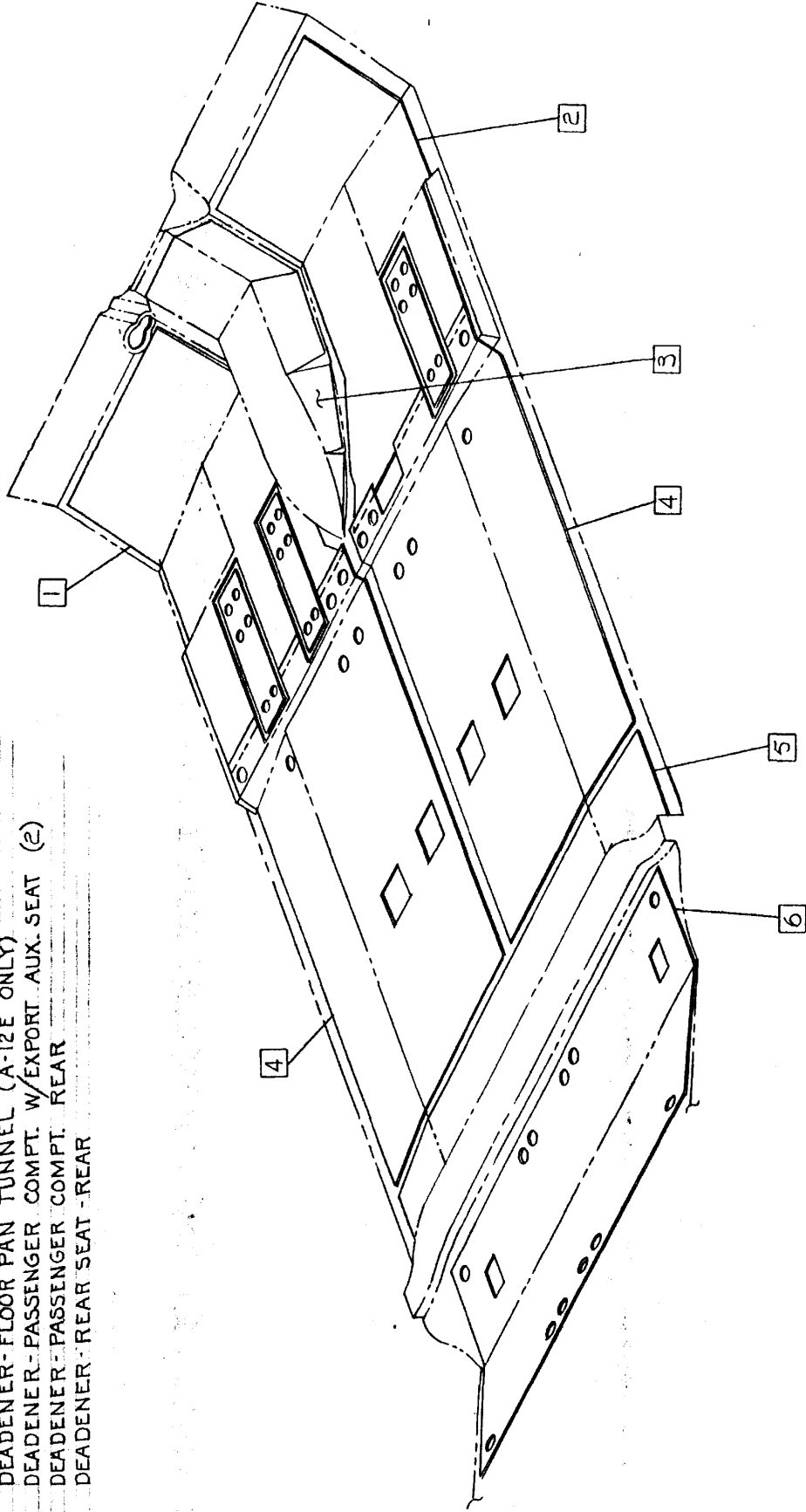
CHECKER MOTORS CORP. KALAMAZOO, MICH.

EFFECTIVE OCT. 1, 1970

MODEL: A-11E A-12E	DATE 6-4-69	GRAPHIC ILLUSTRATION DEADENER INSTALLATION-SINGLE BUCKET SEAT W/EXPORT SEATS	DWN. DEKKER CHK. 6/11/69	SHEET NO. 172 A-8
-----------------------	----------------	---	-----------------------------	-------------------

APPVD.

1. 644633 DEADENER-FLOOR PAN BUCKET SEAT (L.H. SIDE) (A-12E ONLY)
2. 644521 DEADENER-FLOOR PAN (R.H. SIDE) (A-12E ONLY)
3. 634991 DEADENER-FLOOR PAN TUNNEL (A-12E ONLY)
4. 644620 DEADENER-PASSENGER COMPT. W/EXPORT AUX. SEAT (2)
5. 644621 DEADENER-PASSENGER COMPT. REAR
6. 640271 DEADENER-REAR SEAT-REAR



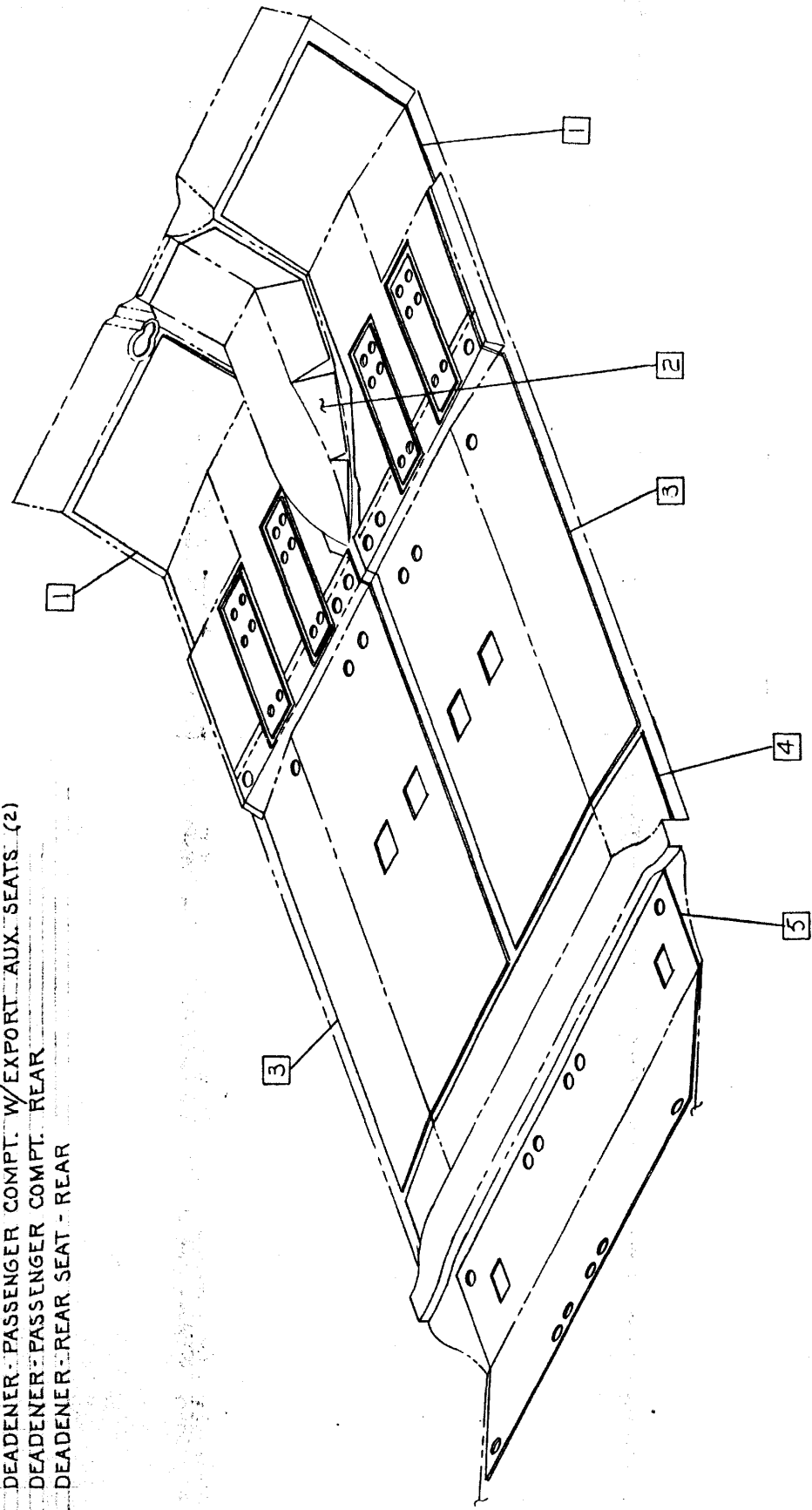
CANCELLED OPTION DISCONTINUED

CHECKER MOTORS CORP. KALAMAZOO, MICH.

EFFECTIVE OCT 1, 1970

MODEL: A-11E A-12E	DATE 6-4-69	GRAPHIC ILLUSTRATION	DWN. DEKKER CHK. 9/11-24-68	SHEET NO. 172 A-9
		DEADENER INSTALLATION - TWIN BUCKET SEATS W/EXPORT SEATS	APPVD.	

1. 644635 DEADENER - FLOOR PAN BUCKET SEAT (2) (A-12E ONLY)
2. 634991 DEADENER - FLOOR PAN TUNNEL (A-12E ONLY)
3. 644620 DEADENER - PASSENGER COMPT. W/EXPORT AUX. SEATS (2)
4. 644621 DEADENER - PASSENGER COMPT. REAR
5. 640271 DEADENER - REAR SEAT - REAR



CANCELLED OPTION DISCONTINUED

CHECKER MOTORS CORP. KALAMAZOO, MICH.

EFFECTIVE OCT 1, 1970

SHEET NO. 172 A - 10

DWN. DEKKER
CHK. GJM 11-16-69

APPVD.

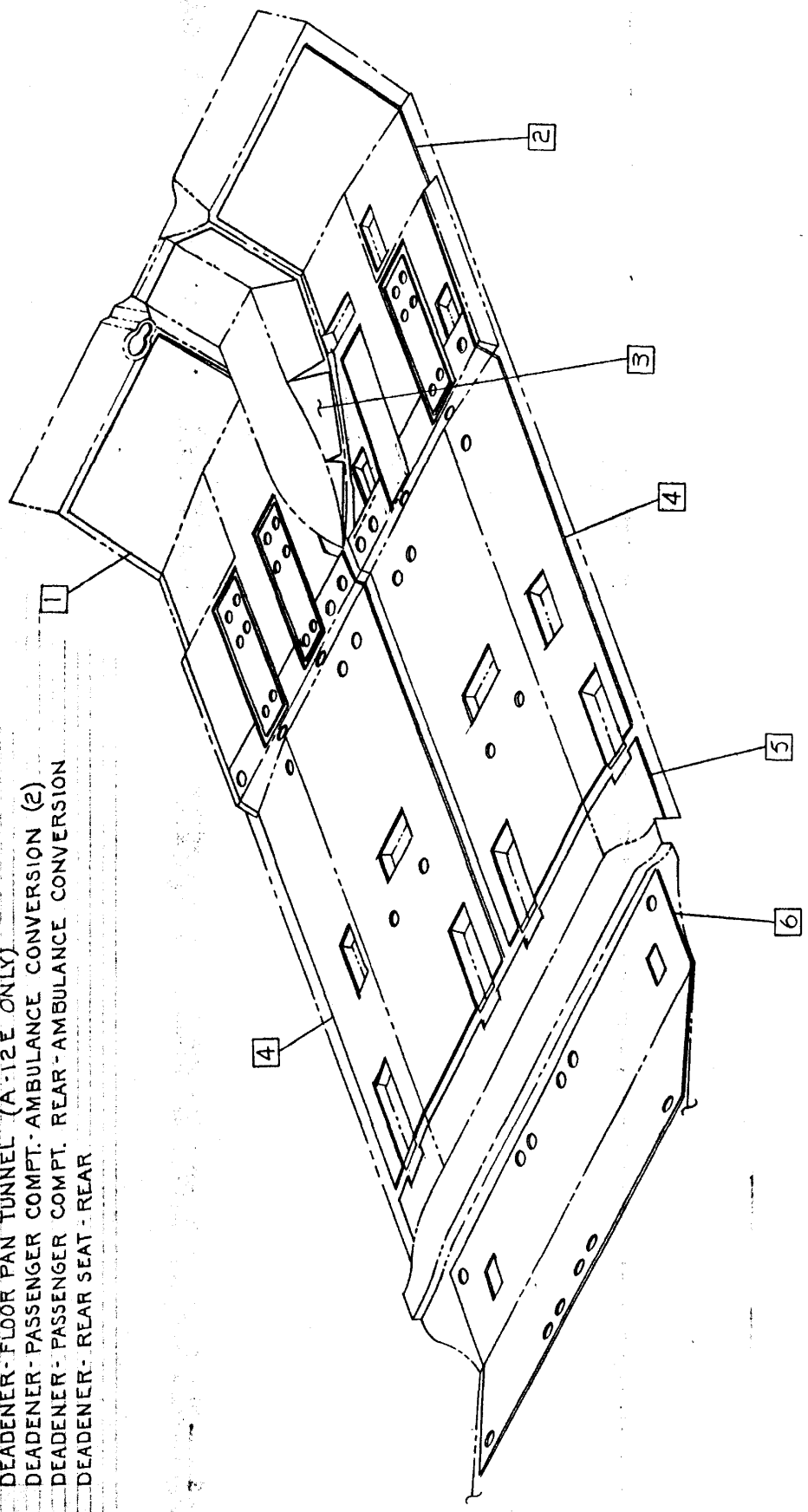
GRAPHIC ILLUSTRATION

DEADENER INSTALLATION - AMBULANCE CONVERSION

DATE
6-4-69,

MODEL: A-11E
A-12E

1. 644633 DEADENER - FLOOR PAN BUCKET SEAT (L.H. SIDE) (A-12E ONLY)
2. 644612 DEADENER - FLOOR PAN AMBULANCE CONVERSION (R.H. SIDE) (A-12E ONLY)
3. 634991 DEADENER - FLOOR PAN TUNNEL (A-12E ONLY)
4. 644614 DEADENER - PASSENGER COMPT. AMBULANCE CONVERSION (2)
5. 644615 DEADENER - PASSENGER COMPT. REAR - AMBULANCE CONVERSION
6. 640271 DEADENER - REAR SEAT - REAR



CANCELLED OPTION DISCONTINUED

CHECKER MOTORS CORP. KALAMAZOO, MICH.

EFFECTIVE OCT. 1, 1970

MODEL: A-12 W

DATE

16-4-69

GRAPHIC ILLUSTRATION

DWN. DEKKER

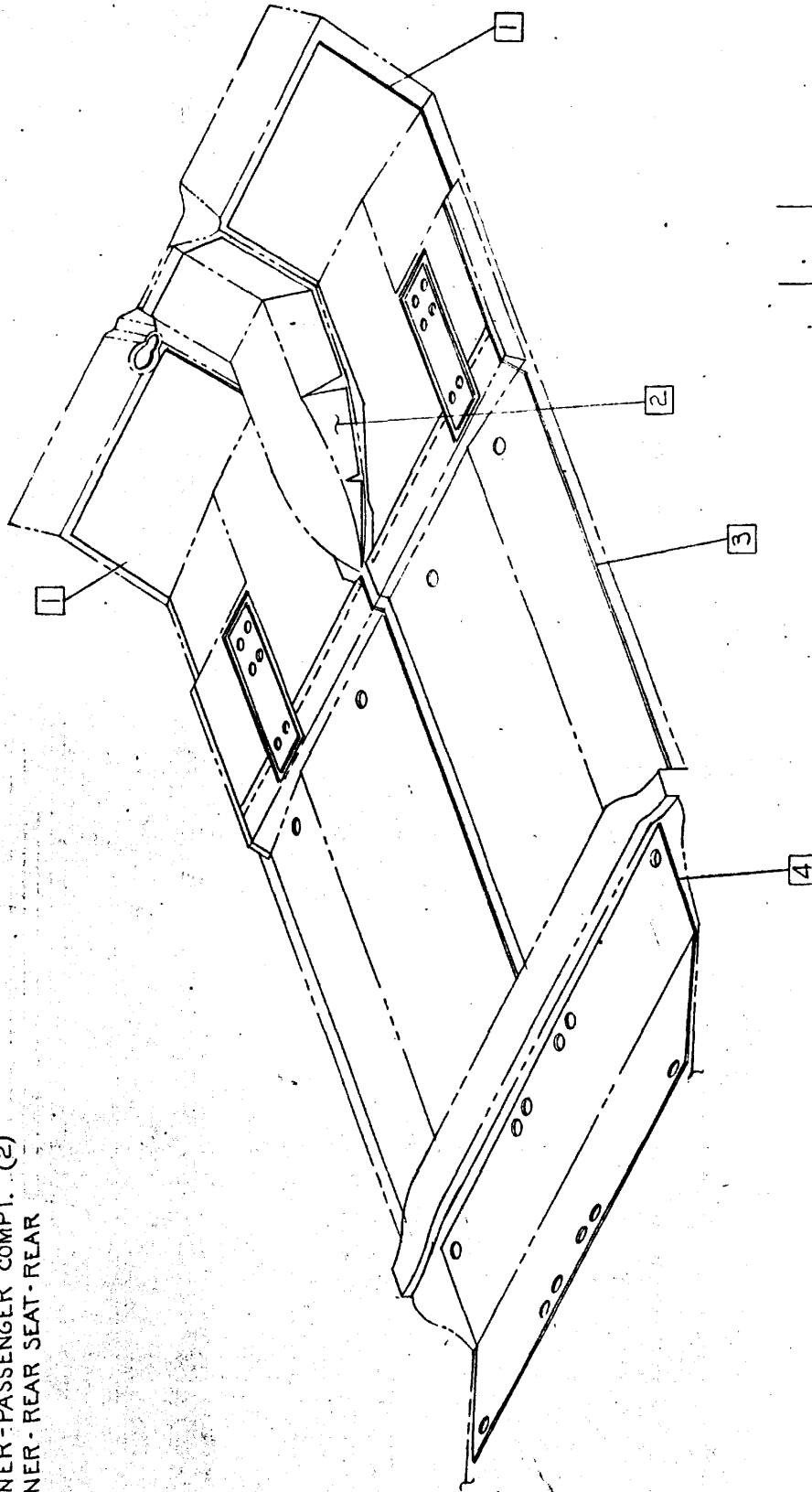
CHK. BY 11-26-68

SHEET NO. 172 A-11

DEADENER INSTALLATION - STATION WAGON - STD. SEAT

APPVD.

- 1. 644521 DEADENER - FLOOR PAN (2)
- 2. 634991 DEADENER - FLOOR PAN TUNNEL
- 3. 636501 DEADENER - PASSENGER COMPT. (2)
- 4. 646432 DEADENER - REAR SEAT - REAR



9 22-71 646452 WAS 640271

DATE

CHANGES

CHECKER MOTORS CORP. KALAMAZOO, MICH.

EFFECTIVE OCT 1, 1970

DWN. DEKKER
CHK. BY 11-24-69

SHEET NO. 172 A-12

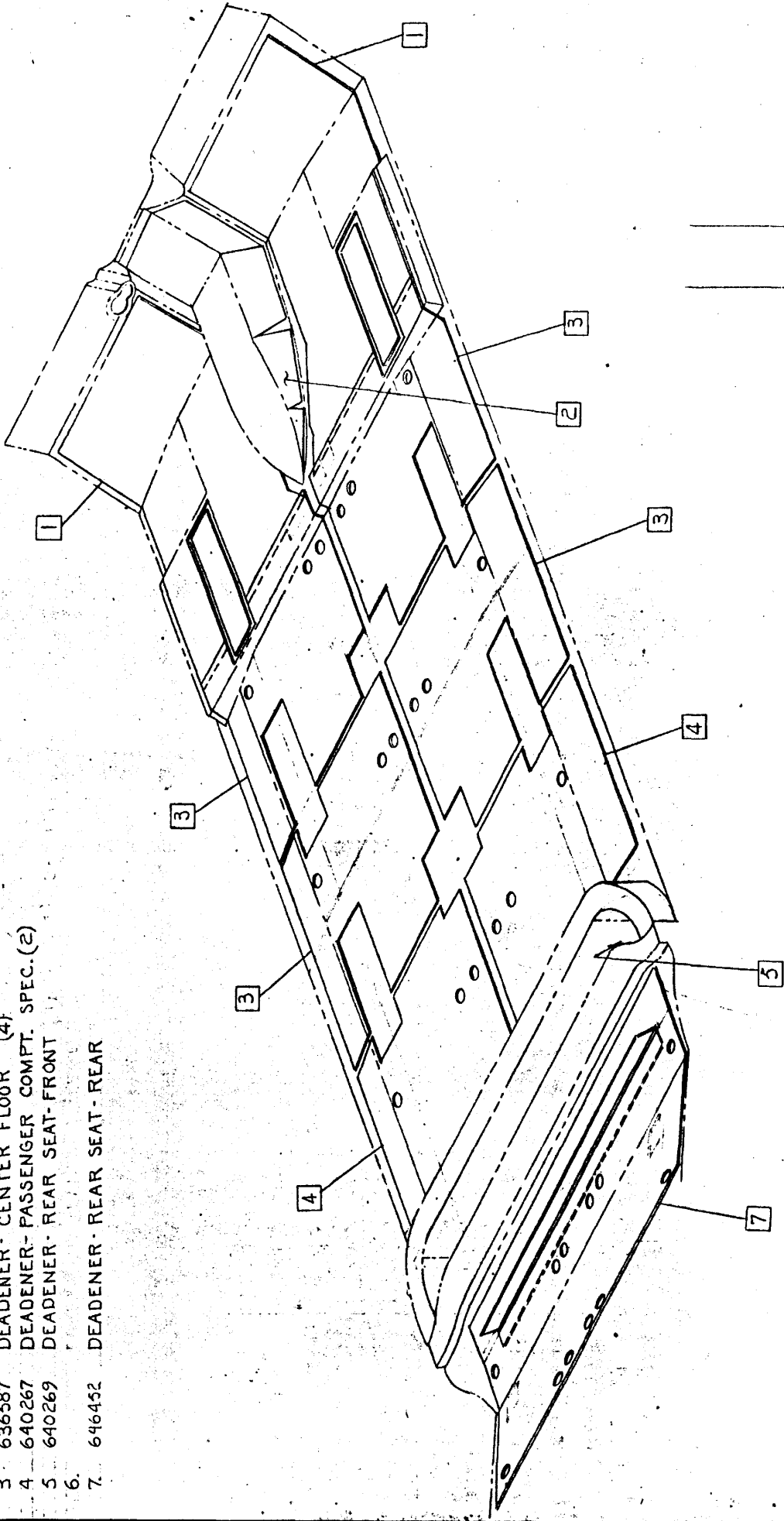
APPVD.

MODEL: A-12W 8

DATE
6-4-69

GRAPHIC ILLUSTRATION
DEADENER INSTALLATION - A-12W 8

- 1 644521 DEADENER - FLOOR PAN (2)
- 2 634991 DEADENER - FLOOR PAN TUNNEL
- 3 636587 DEADENER - CENTER FLOOR (4)
- 4 640267 DEADENER - PASSENGER COMPT. SPEC. (2)
- 5 640269 DEADENER - REAR SEAT - FRONT
- 6
- 7 646452 DEADENER - REAR SEAT - REAR



6-15-72 640270 REMOVED
7-23-71 646452 Was 640271

DATE CHANGES