

CHECKER MOTORS CORP. KALAMAZOO, MICH.

MODEL:
E 11
E 11E

DATE
7-25-72

GRAPHIC ILLUSTRATION
EXHAUST GAS REACTOR - C 34.

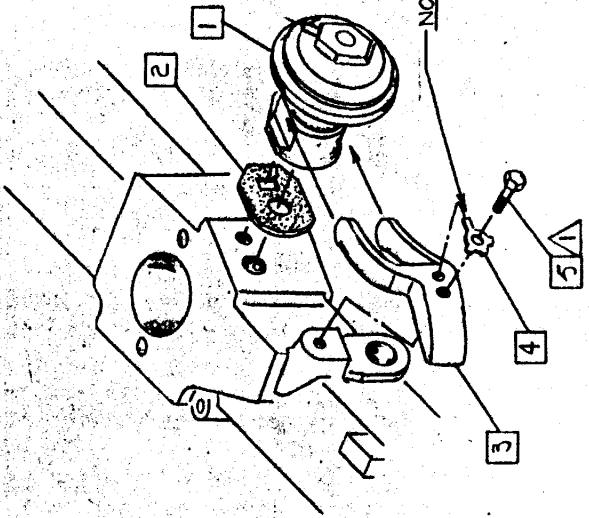
DWN. BY
CHKD BY 7-25-72

SHEET NO. 153 A

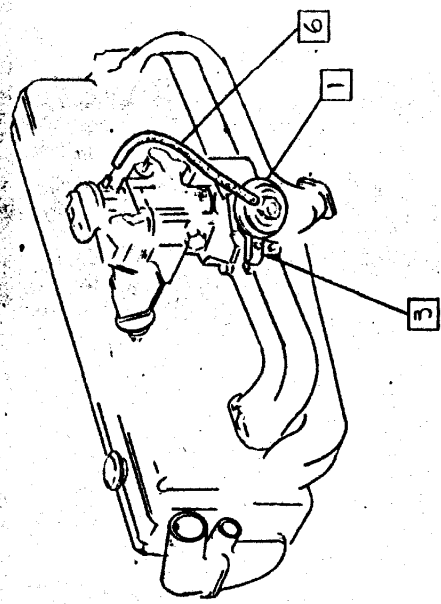
APPVD.

- 1. VALVE A.M.T. EGR. C 34.
- 2. GASKET EGR VALVE
- 3. CLAMP EGR VALVE
- 4. LOCK EGR VALVE, CLAMP BOLT
- 5. BOLT 3/4" X 1 1/2" HEX.
- 6. HOSE EGR VALVE

| DATE | CHANGES |
|------|---------|
| | |



NOTE: AFTER INSTALLING BOLT BEND REAR TAB INTO CLAMP RETAINING HOLE & BEND FORWARD TABS AGAINST BOLT HEAD.



▲ 20 - 30 FT. LBS. TORQUE

CHECKER MOTORS CORP. KALAMAZOO, MICH.

EFFECTIVE OCT 1, 1972

SHEET NO. 158 A-2

CHK. BY 9-25-72

PER MEMO 518

GRAPHIC ILLUSTRATION

EXHAUST GAS REACTOR

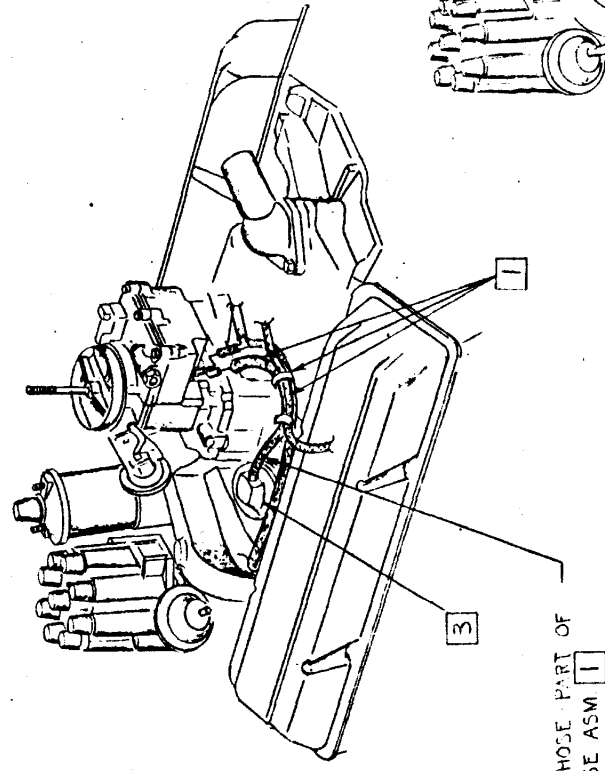
MODEL: B-12 B-12W5 B-12W

DATE 7-31-72

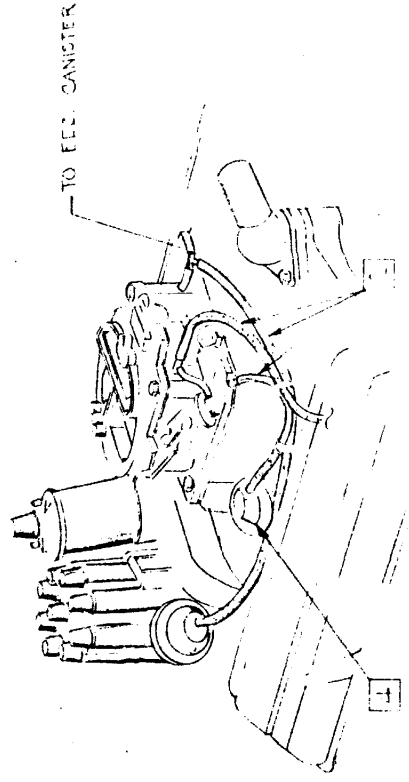
- 1 HOSE ASM. - SPARK CONTROL - 2 Bll.
- 2 HOSE ASM. - SPARK CONTROL - 4 Bll.
- 3 VALVE ASM. - E.G.R. (FURN. ON ENG.)
- 4 VALVE ASM. - E.G.R. (FURN. ON ENG.)

| DATE | CHANGES |
|------|---------|
| | |

VIEW OF 3 CYL. WITH 2 Bll. CARB.



E.G.R. HOSE PART OF HOSE ASM 1



VIEW OF E.G.R. WITH 4 Bll. CARB.