

CHECKER MOTORS CORP. KALAMAZOO, MICH.

EFFECTIVE OCT. 1, 1970

SHEET NO. 150 A-1

DWN. DEKKER
CHK. G.K.D.

GRAPHIC ILLUSTRATION

EVAPORATIVE EMISSION CONTROL FRAME TUBE

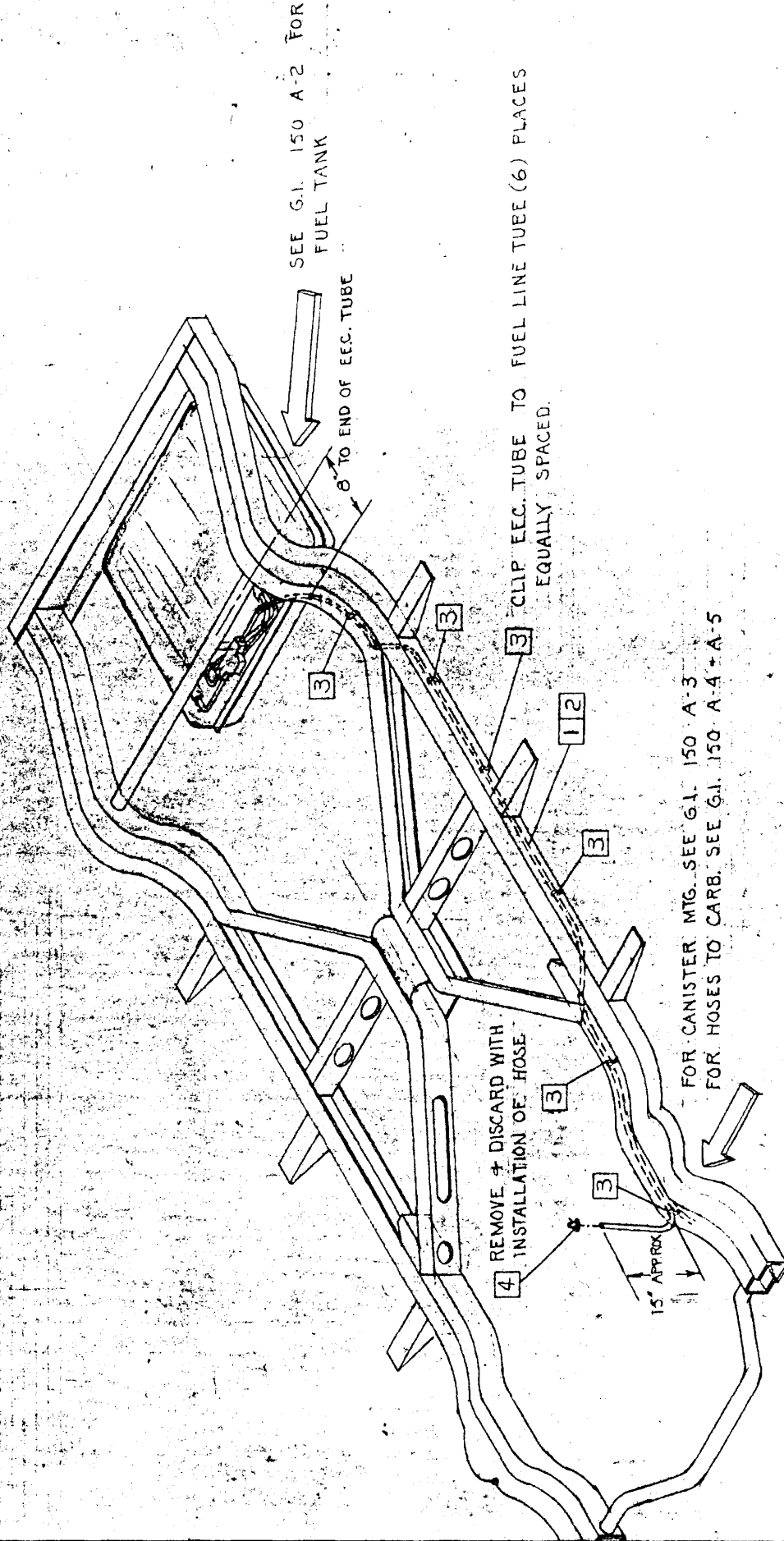
DATE
9-14-70

MODEL: B-12
B-11 B-12E
B-11E B-12W

1. 703619 TUBE ASSEM. CANISTER TO SEE (B-11E, B-12E)
2. 705153 TUBE ASSEM. CANISTER TO SEE (B-11, B-12, B-12W)
3. 702612 CLIP 3/16 DOUBLE TUBE "S" (6)
4. 626869 CAPPLUG "S"
- 5.

CHANGES:

10-26-70 626869 .ADDED
1-24-73 705153 Was 703661



SEE G.I. 150 A-2 FOR FUEL TANK

6" TO END OF EEC. TUBE

CLIP EEC. TUBE TO FUEL LINE TUBE (6) PLACES EQUALLY SPACED.

REMOVE & DISCARD WITH INSTALLATION OF HOSE

15" APPROX

FOR CANISTER MTG. SEE G.I. 150 A-3
FOR HOSES TO CARB. SEE G.I. 150 A-4 & A-5

CHECKER MOTORS CORP. KALAMAZOO, MICH.

EFFECTIVE OCT. 1, 1970

SHEET NO. 150 A-2

DWN. DEKKER
CHK. G.M.B.

APPVD.

GRAPHIC ILLUSTRATION

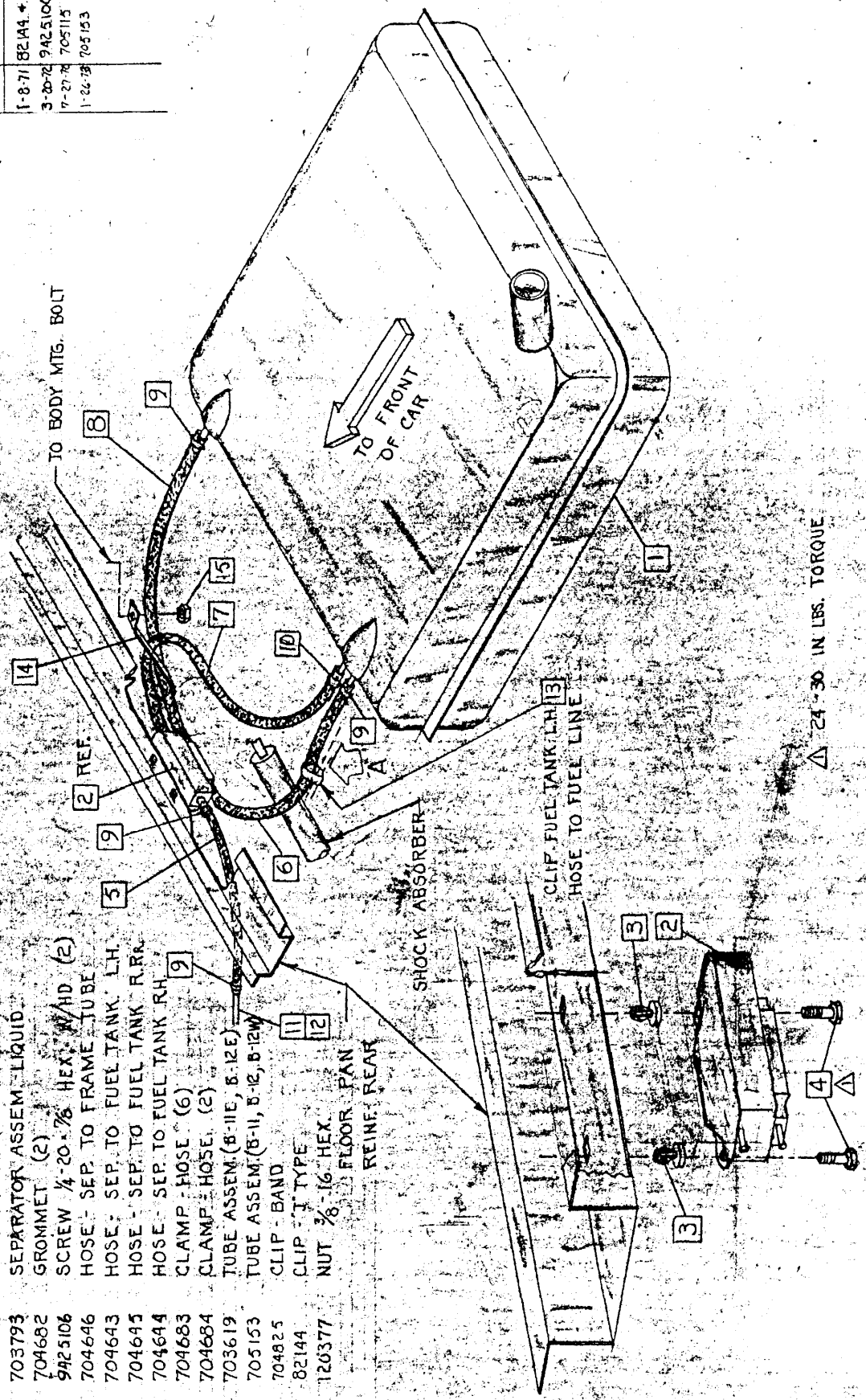
EVAPORATIVE EMISSION CONT. FUEL TANK

MODEL:	B-11	B-11E	DATE
	B-12	B-12E	9-14-70
	B-12W	B-12WB	

1. FUEL TANK ASSEM.
2. SEPARATOR ASSEM. LIQUID
3. GROMMET (2)
4. SCREW 1/4-20 X 3/8 HEX W/HD (2)
5. HOSE SEP TO FRAME TUBE
6. HOSE SEP TO FUEL TANK L.H.
7. HOSE SEP TO FUEL TANK R.H.
8. HOSE SEP TO FUEL TANK R.H.
9. CLAMP HOSE (6)
10. CLAMP HOSE (2)
11. TUBE ASSEM. (B-11E, B-12E)
12. TUBE ASSEM. (B-11, B-12, B-12W)
13. CLIP BAND
14. CLIP J TYPE
15. NUT 3/8-16 HEX FLOOR PAN REINFC. REAR

CHANGES

1-8-71	82144	* 120377	ADDED.
3-20-72	9425106	WAS 9425171	
7-27-72	705115	WAS 703343	MOVED.
1-24-73	705153	WAS 703461	

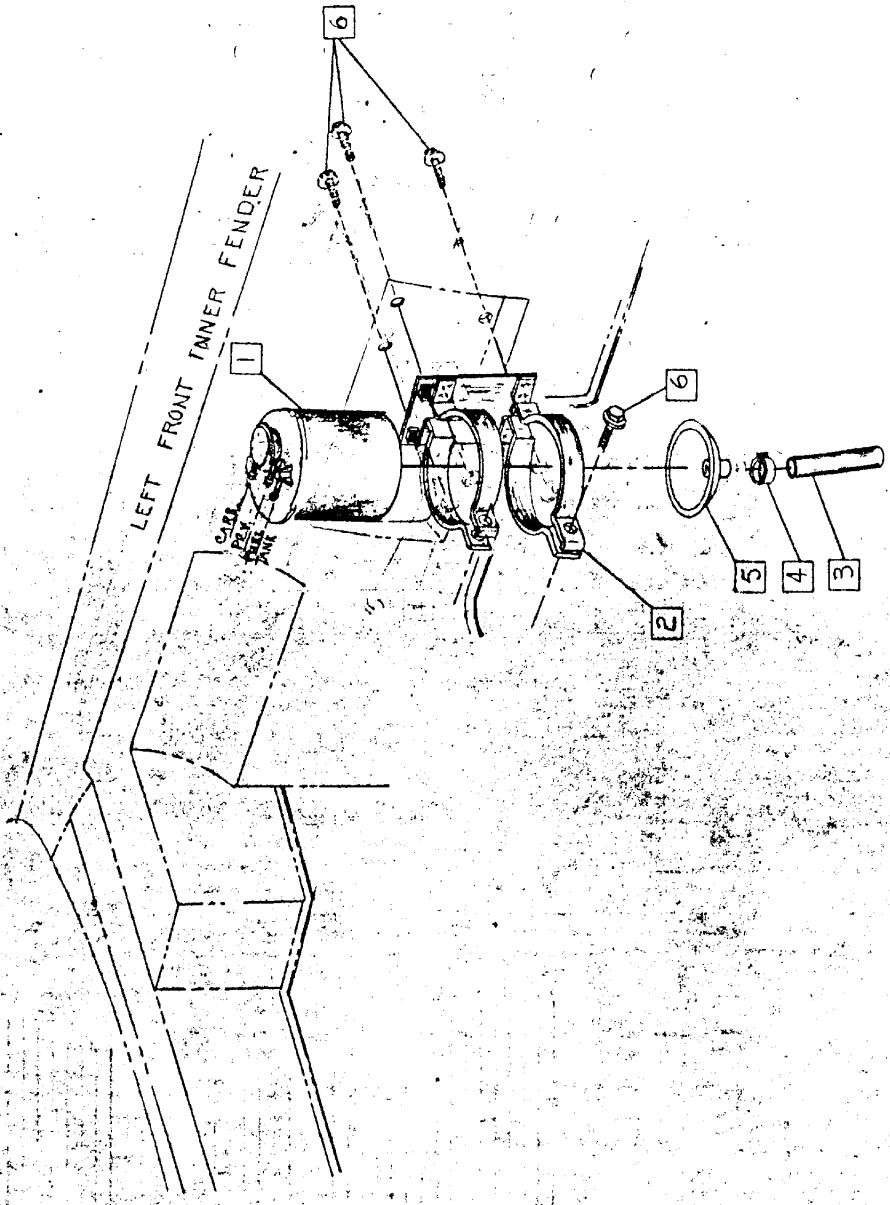


CHECKER MOTORS CORP. KALAMAZOO, MICH.

EFFECTIVE : OCT. 1, 1970

MODEL: B-11	B-11E	DATE	9-14-70	GRAPHIC ILLUSTRATION	SHEET NO. 150 A-3
B-12	B-12E			EVAP. EMISSION CONT. - CANISTER INSTALLATION	
B-12W	B-12WB			APPVD.	

1. 703984	CANISTER ASSEMBLY VAPOR	CHANGES 3-2-71 (3) 274473 WERE 181595 AND 120214 12-20-71 703984 WAS 703792
2. 703853	SUPPORT ASSEMBLY FUEL VENT CANISTER	
3. 240621	HOSE CANISTER DRAIN	
4. 704684	CLAMP CANISTER DRAIN HOSE	
5. 704693	CAP CANISTER DRAIN	
6. 274473	BOLT 1/4-20 X 3/8 HEX SERR. W/HD. (S)	



CHECKER MOTORS CORP. KALAMAZOO, MICH.

EFFECTIVE OCT 1, 1970

MODEL: B-12
B-12E
B-11E B-12W

DATE: 7-28-70

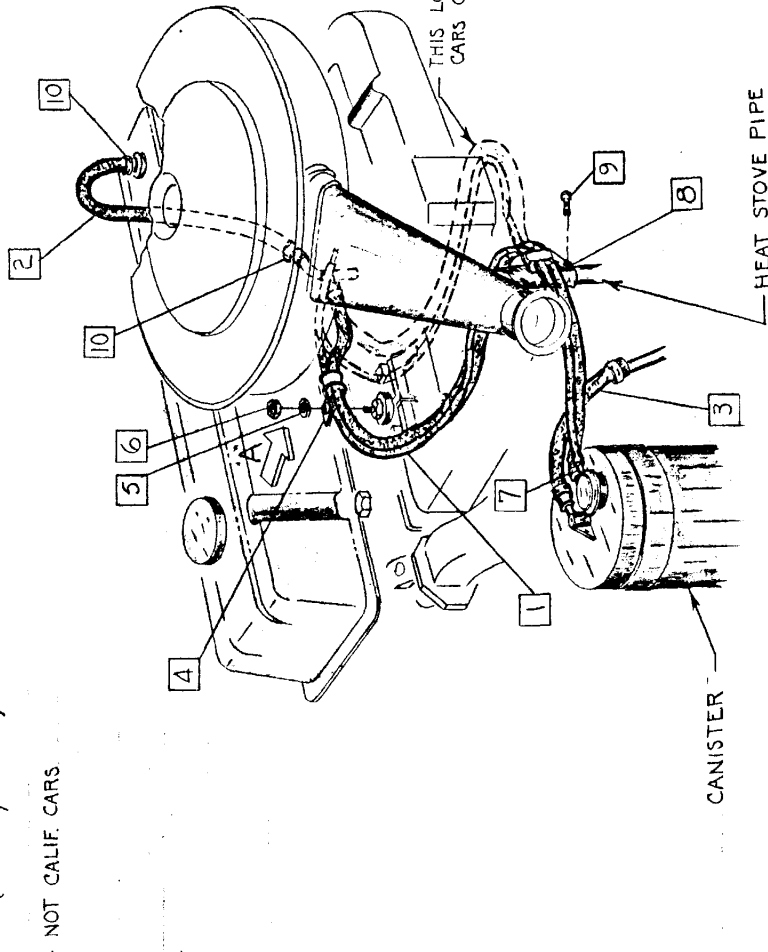
GRAPHIC ILLUSTRATION
EVAPORATIVE EMISSION CONTROL - 6 CYL. ENG. COMPT.

DWN. DEKKER
CHK. *[Signature]*
APPVD.

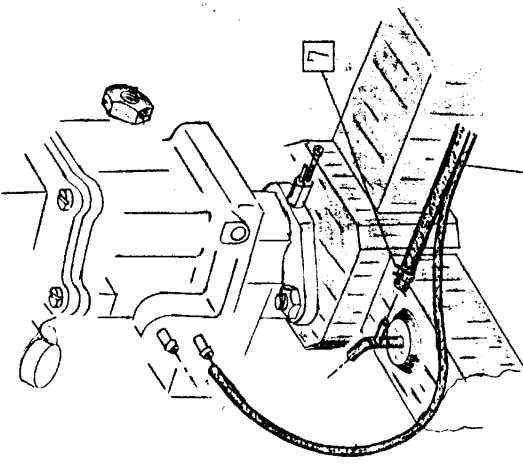
SHEET NO. 150 A-4

- 1. HOSE ASM. - EVAP. EMISSION - 6 CYL.
- 2. HOSE - CR./CASE VENT VLV. TO MAN.
- 3. HOSE - SER. + CAN. TO FR. TUBE (WITH A/C ONLY)
- 4. CLIP $\frac{1}{4}$ CLOSED $\frac{3}{8}$ BOLT
- 5. L.W. $\frac{3}{8}$ MED. SPRING
- 6. NUT $\frac{3}{8}$ - 16 HEX.
- 7. CLAMP - HOSE (2)
- 8. CLAMP $\frac{1}{16}$ CLOSED
- 9. SCREW + WASHER ASM. * 8 * $\frac{3}{4}$
- 10. CLIP (2)

NOT CALIF. CARS



THIS LOOP + HOSE ROUTING FOR CALIF. CARS ONLY. SHORTEN IF NECESSARY



VIEW IN DIRECTION OF ARROW 'A' REF.

CANCELLED SUPERSEDED BY G.I. 150 A-9

EFFECTIVE OCT 1, 1970

CHECKER MOTORS CORP. KALAMAZOO, MICH.

DWN. DEKSER.
CHK. *the Vision*
SHEET NO. 150 A-5

GRAPHIC ILLUSTRATION

EYAPORATIVE EMISSION CONTROL - 8 CYL. ENG. COMPT.

APPVD.

10-30-70 HOSE RE-ROUTED
CHANGES

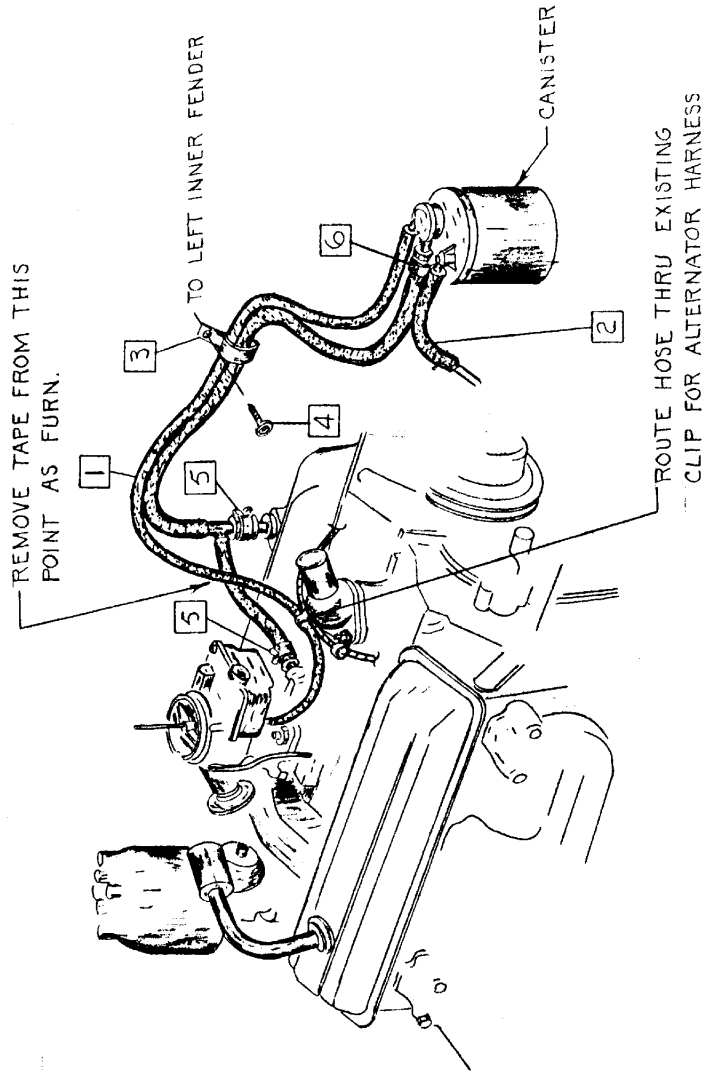
MODEL:

B-12
B-12E
B-12W

DATE

7-28-70

- 1. 703833 HOSE ASM - EVAP. EMISSION - 8 CYL.
- 2. 704646 HOSE - SEP. + CAN. TO FRAME TUBE
- 3. 702221 CLAMP $\frac{1}{16}$ CLOSED
- 4. 626456 SCREW + WASHER ASM. * 8, $\frac{3}{4}$
- 5. 704684 CLAMP - HOSE (2)
- 6. 704701 CLAMP - HOSE



CANCELLED SUPERCEDED BY G.I. 150 A-7

CHECKER MOTORS CORP. KALAMAZOO, MICH.

EFFECTIVE OCT 1, 1971

DWN. DEKKER
CHK. RCP B-5-71

SHEET NO. 150 A-6

MODEL: B-12 W8

DATE: 8-3-71

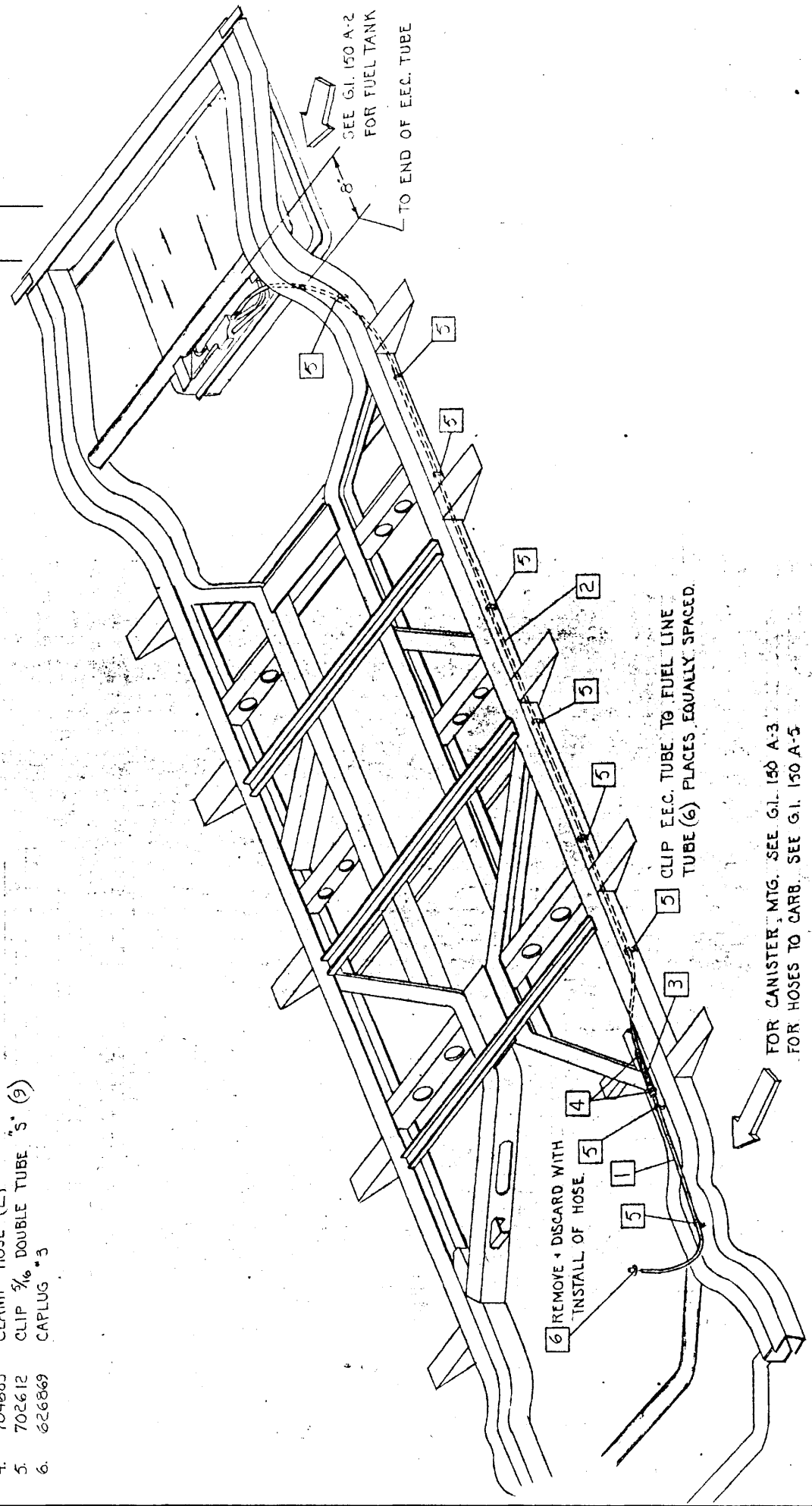
GRAPHIC ILLUSTRATION

EVAPORATIVE EMISSION CONTROL - FRAME TUBE AEROSOL

APPVD.

- 1. 706135 TUBE - CANISTER TO HOSE - FRAME
- 2. 703619 TUBE ASM. - CANISTER TO SEP. FRAME
- 3. 706134 HOSE - EVAP. EMISSION.
- 4. 709683 CLAMP - HOSE (2)
- 5. 702612 CLIP 3/16 DOUBLE TUBE "S" (9)
- 6. 626869 CAPPLUG *3

DATE	CHANGE
1-26-73	703619 WAS 703661



FOR CANISTER, MTG. SEE G.I. 150 A-3
FOR HOSES TO CARB. SEE G.I. 150 A-5

CHECKER MOTORS CORP. KALAMAZOO, MICH.

EFFECTIVE OCT 1, 1971

DWN. DESKER
CHK.

SHEET NO. 150 A-7

MODEL: B-12
B-12E
B-12W

GRAPHIC ILLUSTRATION

EVAPORATIVE EMISSION CONTROL - 8 CYL 2 8BL. CARE.

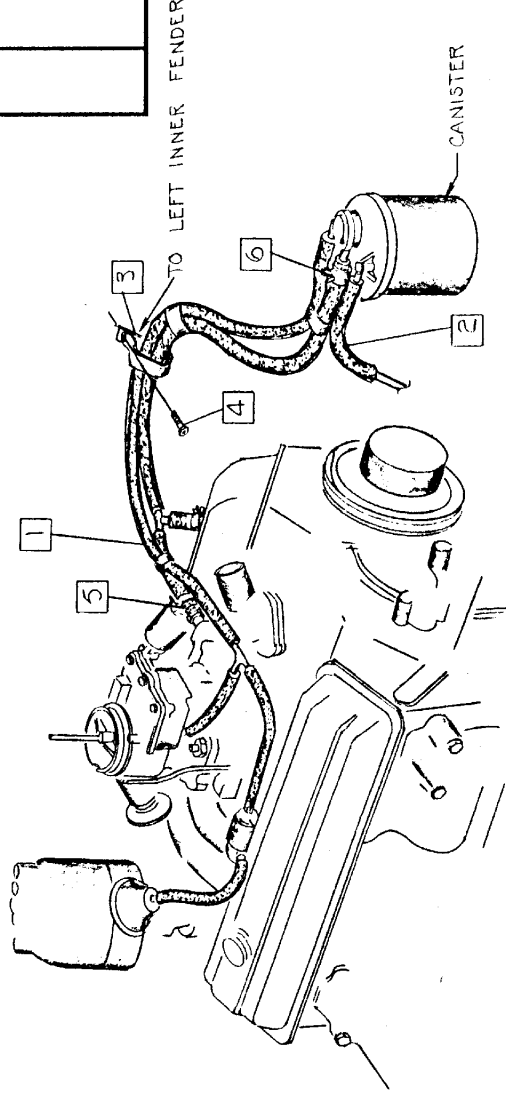
DATE 8-30-71

APPYD.

- 1. HOSE ASM. - EVAP. EMISSION
- 2. HOSE - SER. + CAN. TO FRAME TUBE
- 3. CLAMP $\frac{1}{16}$ CLOSED
- 4. SCREW + WASHER ASM. * 8 x $\frac{3}{4}$
- 5. CLAMP - HOSE (2)
- 6. CLAMP - HOSE

DATE

CHANGES



CANCELED SUPERSEDED BY G.I. 150 A-10

CHECKER MOTORS CORP. KALAMAZOO, MICH.

EFFECTIVE OCT 1, 1971

SHEET NO. 150 A-8

DWN. DESIG.
CHK.

GRAPHIC ILLUSTRATION

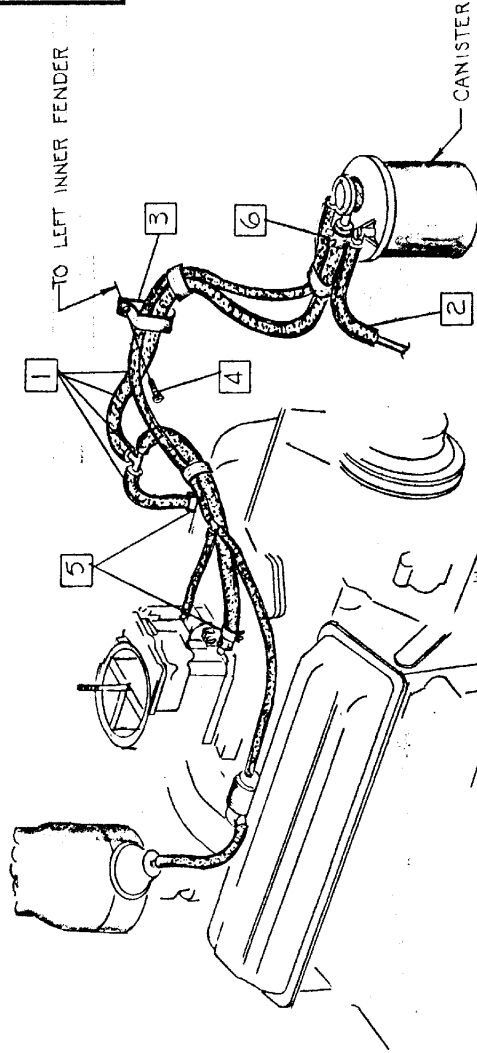
EVAPORATIVE EMISSION CONTROL 8 CYL. 4 BBL. CARB.

APPVD.

DATE
8-31-71

MODEL:
B-12 W8

- 1. 705033 HOSE ASM. - EVAP. EMISSION
- 2. 704646 HOSE ASM. - SEP. + CAN. FRAME TUBE
- 3. 702221 CLAMP $\frac{1}{16}$ CLOSED
- 4. 626456 SCREW + WASHER ASM. *8 x $\frac{1}{4}$
- 5. 704684 CLAMP - HOSE (2)
- 6. 704701 CLAMP - HOSE



CANCELED SUPERSEDED BY G1 150 A-11

DATE	CHANGES

CHECKER MOTORS CORP. KALAMAZOO, MICH.

EFFECTIVE SEPT. 15, 1972

SHEET NO. 150 A-9

DWN. DEKKER
CHK.

APPVD. SUPERSEDS G.I. 150 A-4 PER MEMO #315

GRAPHIC ILLUSTRATION

EVAPORATIVE EMISSION CONTROL - 6-CYL. ENG. COMPT

DATE

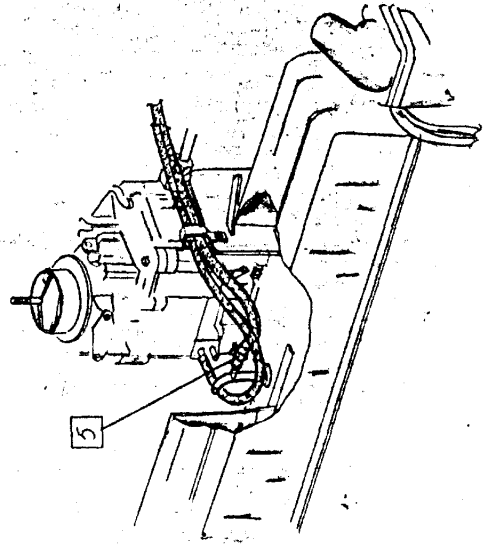
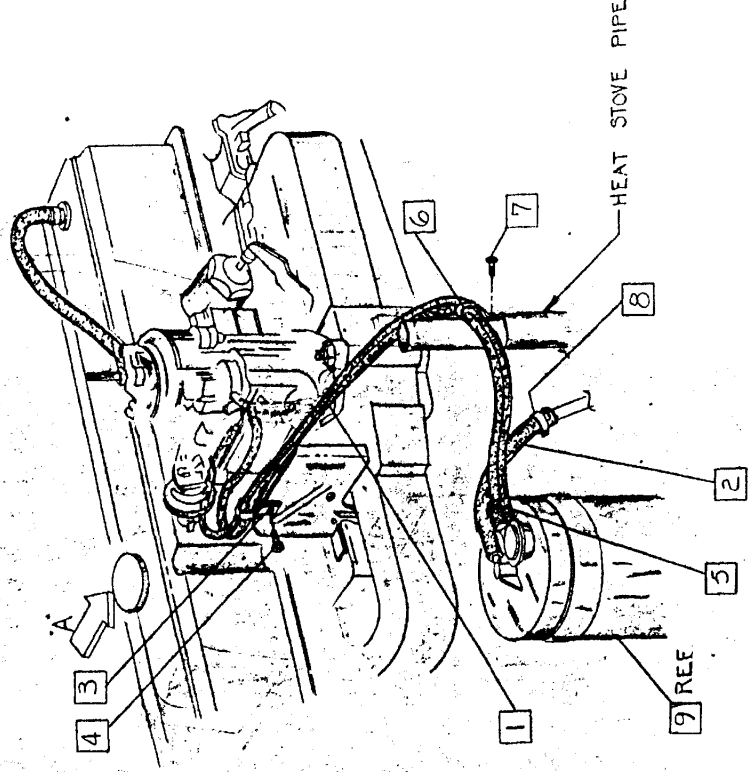
9-26-72

MODEL:

- B-12
- B-12E
- B-12W

- 1. 703904 HOSE ASM. - EVAP EMISSION 6 CYL.
- 2. 704696 HOSE - SEP. * CAN. TO FRM. TUBE
- 3. 706278 CLIP - EVAP. EMISSION HOSE
- 4. 163158 SCREW * 8 * 3/8 PHCR.
- 5. 704701 CLAMP - HOSE .460 DIA.
- 6. 702221 CLAMP .1/16 CLOSED.
- 7. 626456 SCREW * WASHER ASM. * 8 * 3/4
- 8. 704683 CLAMP - HOSE .520 DIA.
- 9. 703984 CANISTER ASM. - VAPOR.

DATE	CHANGES



VIEW IN DIRECTION OF ARROW A

CHECKER MOTORS CORP. KALAMAZOO, MICH.

DWN. *[Signature]*
 CHK. *[Signature]*
 SHEET NO. 150 A-10
 APPVD. SUPERVISOR *[Signature]* REF. MEMO. 159

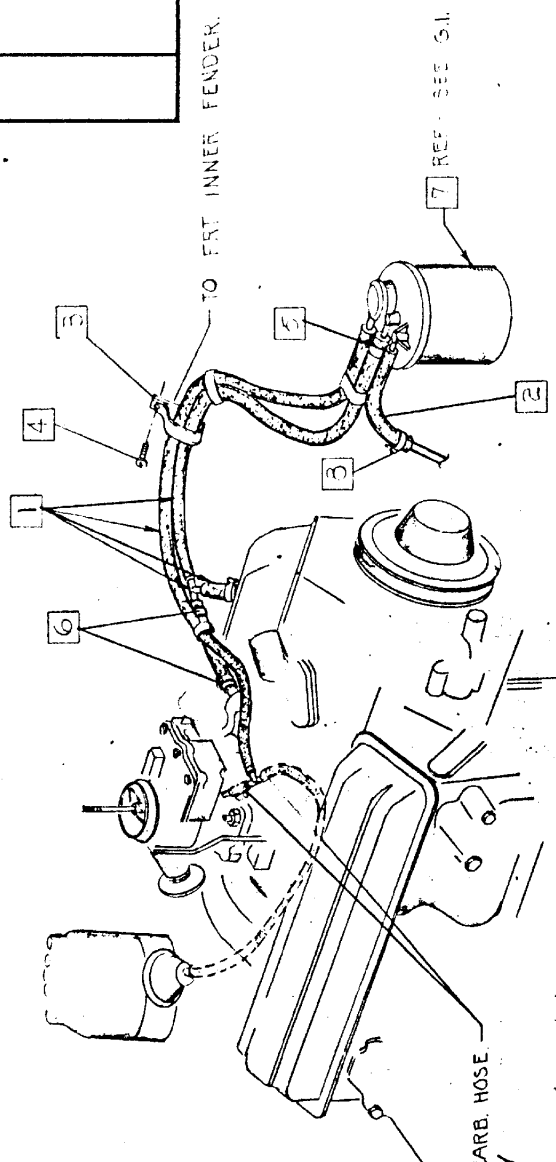
GRAPHIC ILLUSTRATION
 EVAPORATIVE EMISSION CONTROL 8 CYL. 2 BR. 65FE.

DATE
 9-25-72

MODEL:
 B-12
 B-12E
 B-12N

- 1. 705145 HOSE ASM. - EVAP. EMISSION
- 2. 704646 HOSE - SEP. CAN. TO FRAME TUBE
- 3. 702221 CLAMP - 1/8" CLOSED.
- 4. 685456 SCREW * WASHER ASM. - 5/8"
- 5. 704791 CLAMP - HOSE .460 DIA.
- 6. 704284 CLAMP - HOSE .593 DIA.
- 7. 703954 CANISTER ASM. - VAPOR.
- 8. 701673 CLAMP - HOSE .520 DIA.

DATE	CHANGES



DIST. TO CARB. HOSE
 REF. ONLY

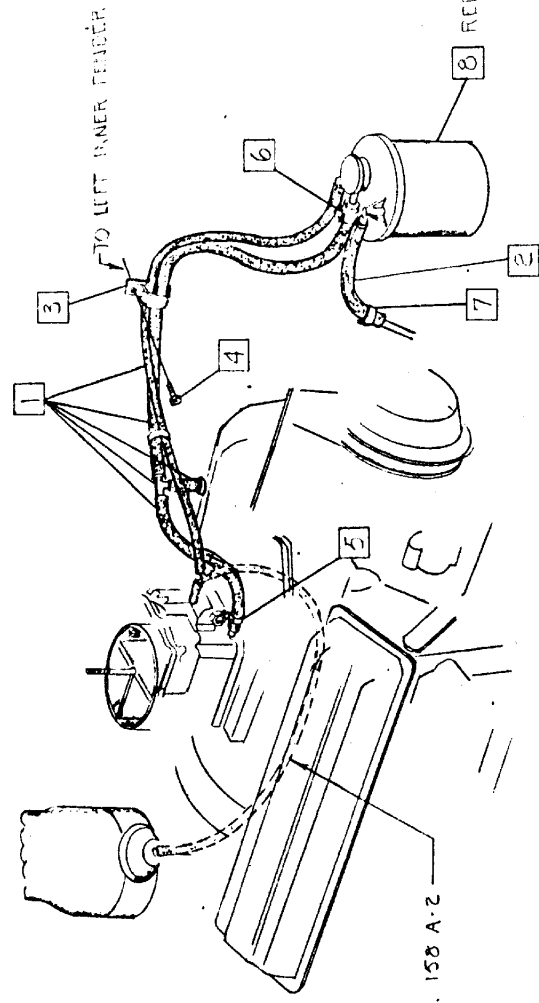
7 REF. SEE S.I. 150A B

CHECKER MOTORS CORP. KALAMAZOO, MICH.

EFFECTIVE SEPT 15, 1972

MODEL:	B-12W3	DATE	9-27-72
	GRAPHIC ILLUSTRATION		
DWN. BY:	SHEET NO. 150 A-11		
CHK.	APPVD. SUPERSEDS G1.150A-3 PER MEMO 213		
EVAPORATIVE EMISSION CONTROL 8 CYL. 4 Bbl. CARB.		DATE	CHANGES

- 1. 705146 HOSE ASM. - EVAP. EMISSION
- 2. 704646 HOSE - SEP. 4 CAN. TO FRM. TUBE
- 3. 702221 CLAMP 1/4 C-050
- 4. 626456 SCREW + WASHER ASM. - 5/8 x 3/4
- 5. 704684 CLAMP - HOSE .583 DIA.
- 6. 704701 CLAMP - HOSE .450 DIA.
- 7. 704683 CLAMP - HOSE .520 DIA.
- 8. 703724 CANISTER ASM. - VAPOR



SEE G1.158 A-2

8 REF - SEE G1.150A-3