

CHECKER MOTORS CORP. KALAMAZOO, MICH.

EFFECTIVE OCT. 1, 1970

MODEL:	B-12	DATE	8-26-70
B-11	B-12E	GRAPHIC ILLUSTRATION	
B-11E	B-12W	TRANSMISSION CONTROLLED SPARK - C.E.C. 6 CYL.	

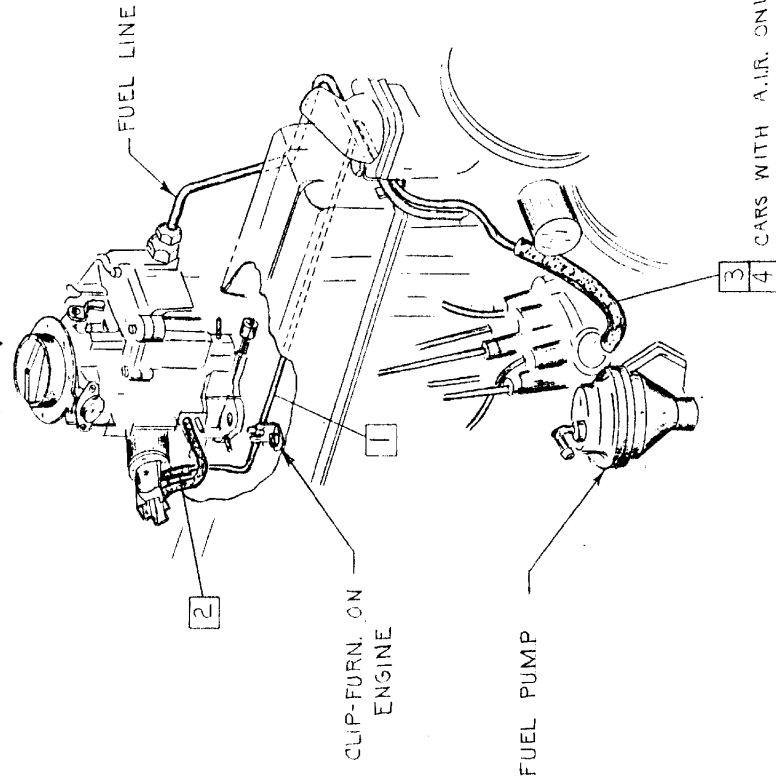
DWN. DENKER
CHK. 4. 200 3. 4. 5. 6. 7. 8. 9. 10. 11. 12.

SHEET NO. 420 A-1

APPVD.

DATE	CHANGES
3-20-72	706226 Added

1. 704898 TUBE & SPARK CONTROL
2. 702941 HOSE - CARB. TO DIST. VAC.
3. 702942 HOSE - DIST. TO SOL. TUBE
4. 706226 HOSE - DIST. TO SOL. TUBE



CANCELED - T.C.S. DISCONTINUED

CHECKER MOTORS CORP. KALAMAZOO, MICH.

EFFECTIVE OCT. 1, 1970

MODEL: B-12
3-11 B-12E
B-11E B-12W

DATE 8-26-70

GRAPHIC ILLUSTRATION
TRANSMISSION CONTROLLED SPARK - C.E.C. - 8 CYL.

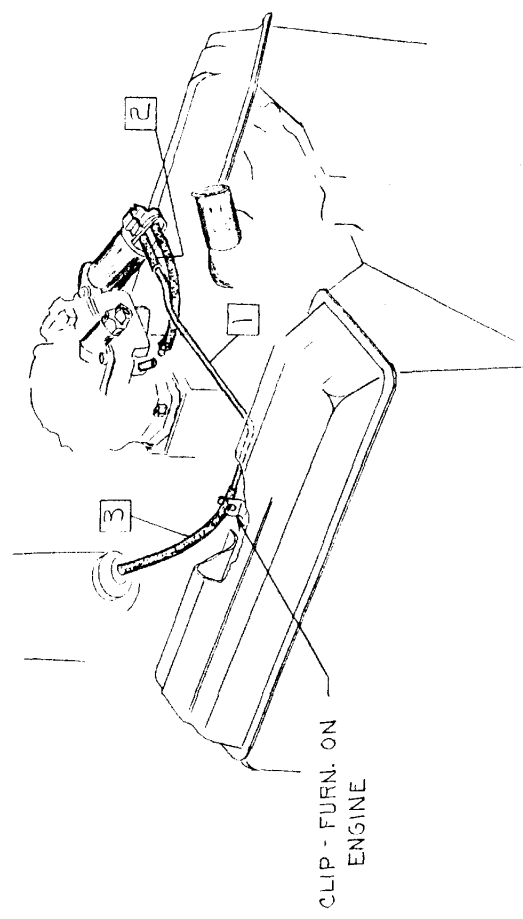
DWN. DEKKER
CHK. GJM. 9-9-70

SHEET NO. 420 A-2

APPVD.

95%

- 1. 704897 TUBE - SPARK CONTROL
- 2. 702941 HOSE - CARB. TO DIST.
- 3. 702942 HOSE - DIST. TO SOL. TUBE



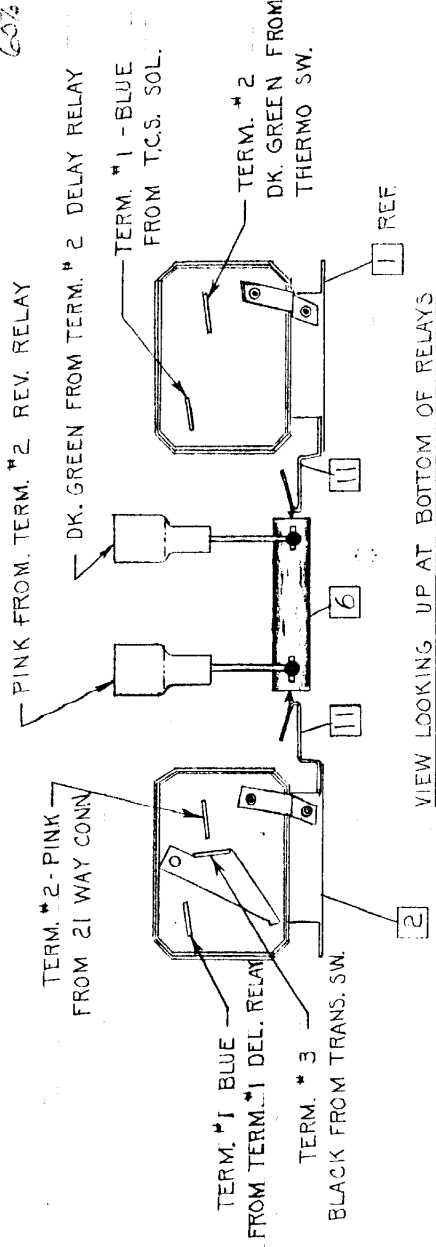
CANCELLED SUPERCEDED BY G.I. 420 A-7

CHECKER MOTORS CORP. KALAMAZOO, MICH.

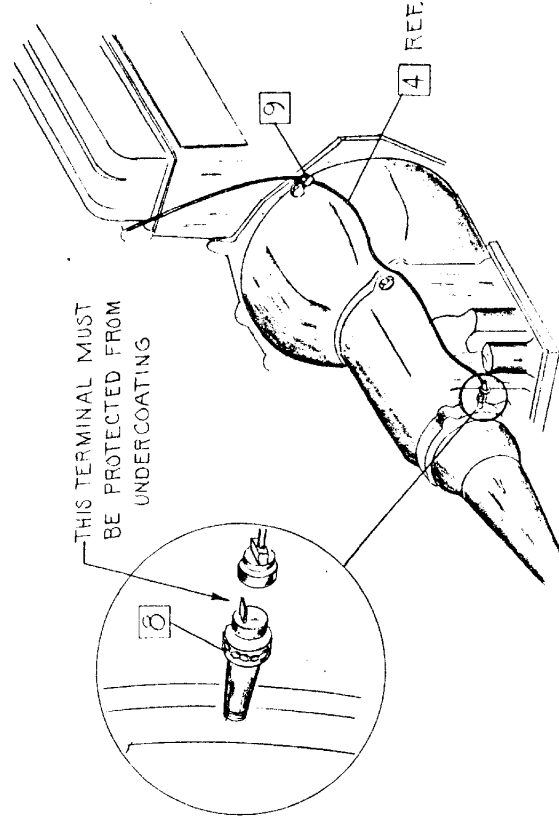
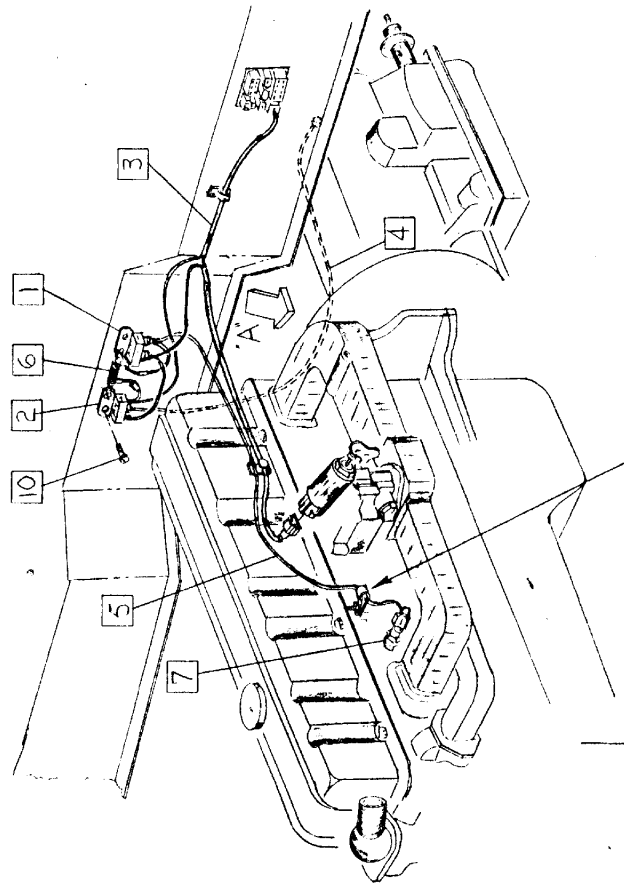
EFFECTIVE OCT. 1, 1970

MODEL:	B-12	DATE	8-28-70
	B-12E	GRAPHIC ILLUSTRATION	
	B-12W	TRANSMISSION CONT. SPARK - WIRING	6 CYL.
		CHK. <i>[Signature]</i>	
		DWN. Decker	
		SHEET NO. 420 A-3	
		APPYD.	

1. 703816 RELAY ASM.-T.C.S. TIME DELAY
2. 703817 RELAY ASM.-T.C.S. REVERSING
3. 703844 HARNESS ASM.-T.C.S. SOL. VAL.
4. 703834 WIRE ASM.-TRANS.
5. 703835 WIRE ASM.-THERMO. SW.
6. 703846 RESISTOR-LEAD ASM.-T.C.S.
7. 703664 SWITCH ASM.-THERMO
8. 703704 SWITCH ASM.-T.C.S.
9. 80352 CLIP - J TYPE
10. 161895 SCREW #10 x 1/2 PHCR (4)
11. 704909 BRACKET - RESISTOR MTG. (2)



VIEW LOOKING UP AT BOTTOM OF RELAYS



VIEW IN DIRECTION OF ARROW 'A'

ROUTE WIRE THRU EXISTING E.E.C. CLIP.

CANCELLED SUPERCEDED BY G1.420 A-5

1-15-71	703664 Was 703812
11-5-76	WIRE THRU CLIP ADDED
CHANGES	

CHECKER MOTORS CORP. KALAMAZOO, MICH.

EFFECTIVE OCT 1, 1970

SHEET NO. 420 A-4

DWN. DEKKER
CHK. [Signature]

GRAPHIC ILLUSTRATION
TRANSMISSION CONT. SPARK - WIRING 8 CYL.

MODEL: B-12
B-12E
B-12W

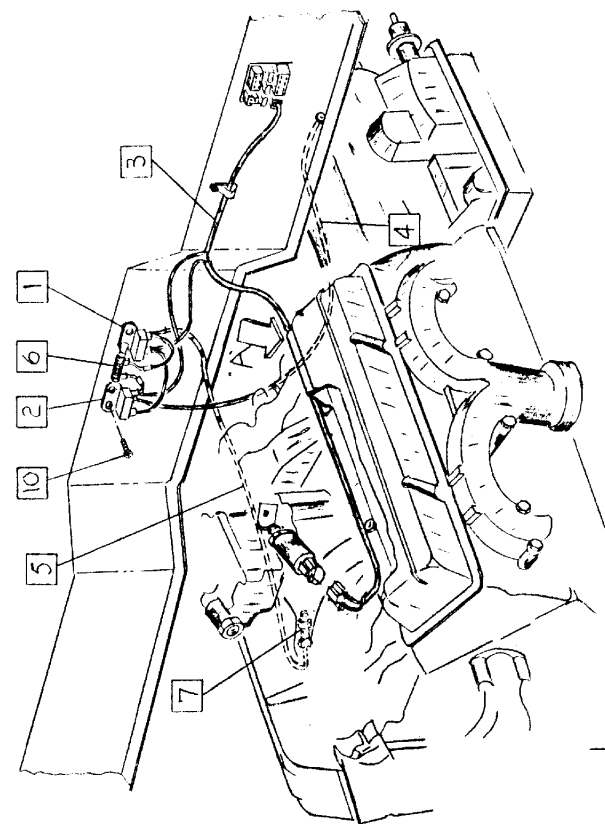
DATE
9-1-70

APPVD.

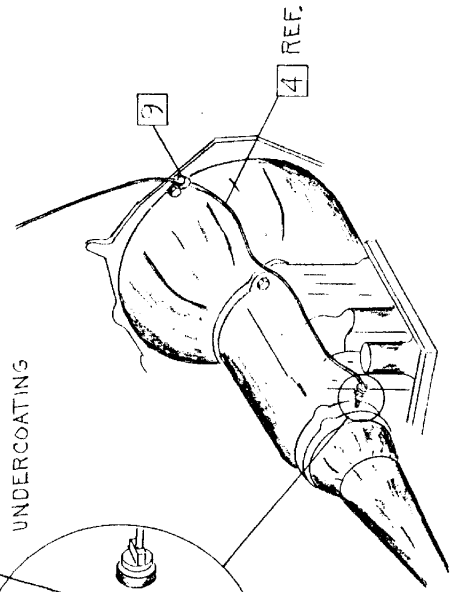
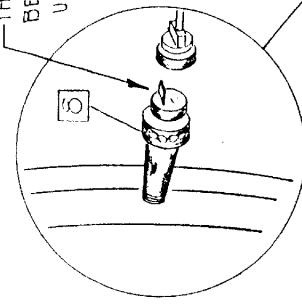
- 1. RELAY ASM. - T.C.S. TIME DELAY
- 2. RELAY ASM. - T.C.S. REVERSING
- 3. HARNESS ASM. - T.C.S. SOL. VAL.
- 4. WIRE ASM. - TRANS.
- 5. WIRE ASM. - THERMO. SW.
- 6. RESISTOR + LEAD ASM. - T.C.S.
- 7. SWITCH ASM. - THERMO.
- 8. SWITCH ASM. - T.C.S.
- 9. CLIP - J TYPE
- 10. SCREW *10 x 1/2 PH.CR. (4)
- 11. BRACKET - RESISTOR MTG. (2)



VIEW LOOKING UP AT BOTTOM OF RELAYS



THIS TERMINAL MUST BE PROTECTED FROM UNDERCOATING



VIEW IN DIRECTION OF ARROW "A"

~~CANCELLED SUPERCEDED BY G.I. 420 A-6~~

9-25-70 WIRING REVISED.

CHANGE'S

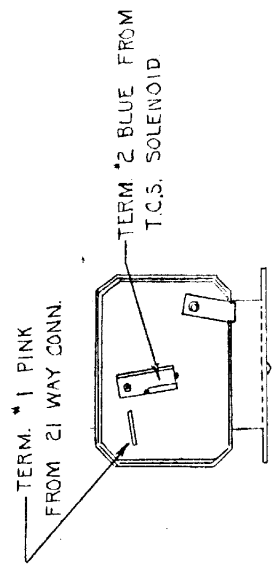
CHECKER MOTORS CORP. KALAMAZOO, MICH.

EFFECTIVE OCT 1, 1971

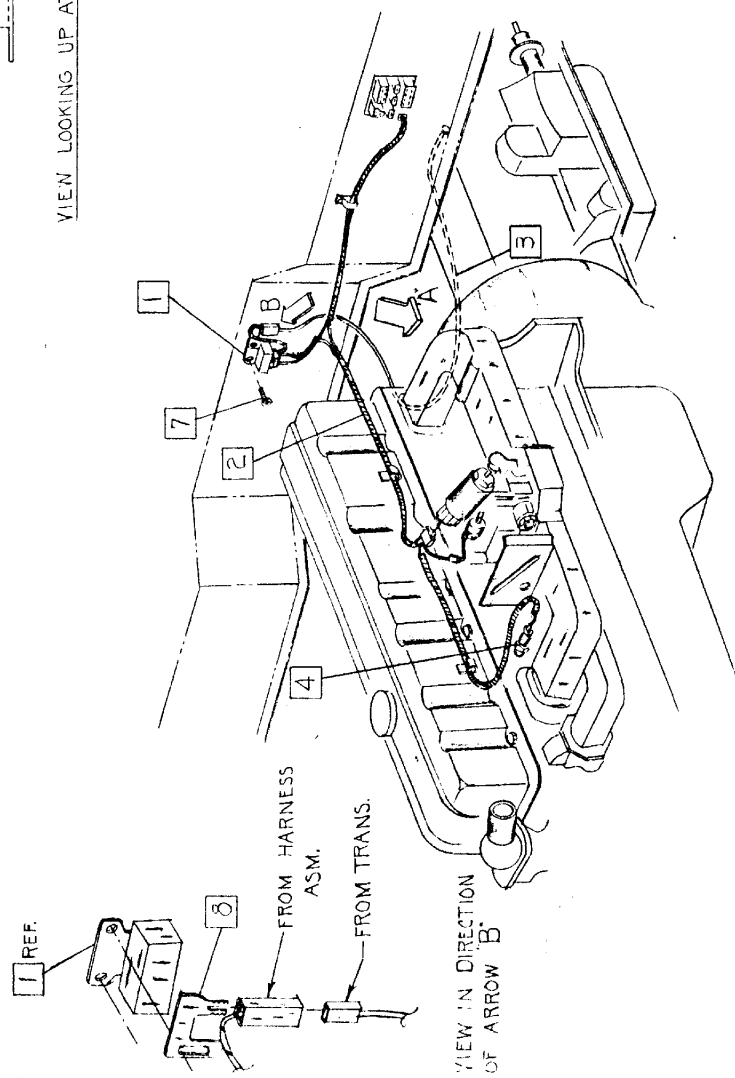
MODEL:	B-12	DATE	8-6-71
B-11	B-12E		
B-11E	B-12W		
DWN. DEEEK		SHEET NO. 420 A-5	
CHK. #55		TRANSMISSION CONT. SPARK - WIRING 6 CYL.	
APPVD.			

DATE	CHANGES
7-12-72	705159 Was 705014

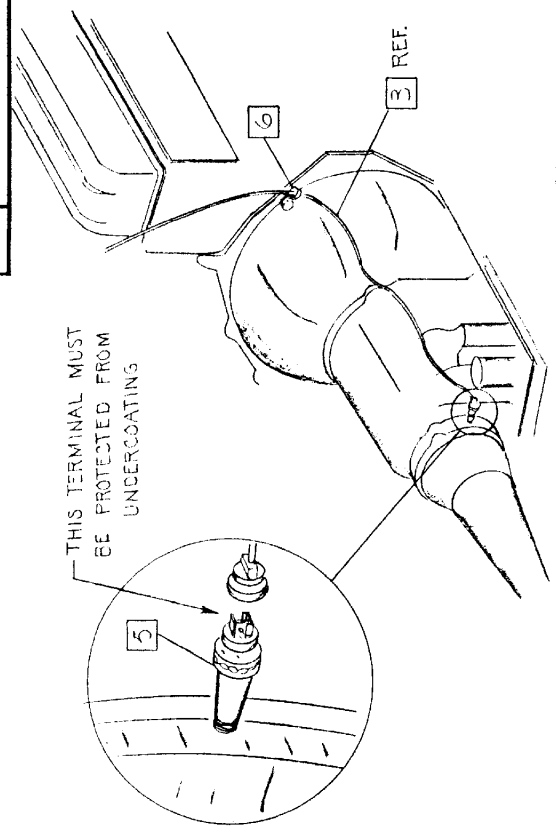
- 1. RELAY ASM. TIME DELAY (20 SEC.)
- 2. HARNESS ASM. T.C.S. SOL. VAL.
- 3. WIRE ASM. TRANS.
- 4. SWITCH ASM. THERMO.
- 5. SWITCH ASM. TCS.
- 6. CLIP - J* TYPE
- 7. SCREW # 10 x 1/2 PHCR. (2)
- 8. CLIP - MGT. LOCK TYPE CONN. BODY.



VIEW LOOKING UP AT BOTTOM OF RELAY



VIEW IN DIRECTION OF ARROW B



VIEW IN DIRECTION OF ARROW A

CANCELED - T.C.S. DISCONTINUED

CHECKER MOTORS CORP. KALAMAZOO, MICH.

EFFECTIVE OCT 1, 1971

DWN. DEXSEL
CHK. 10/1/71
SHEET NO. 420 A-6

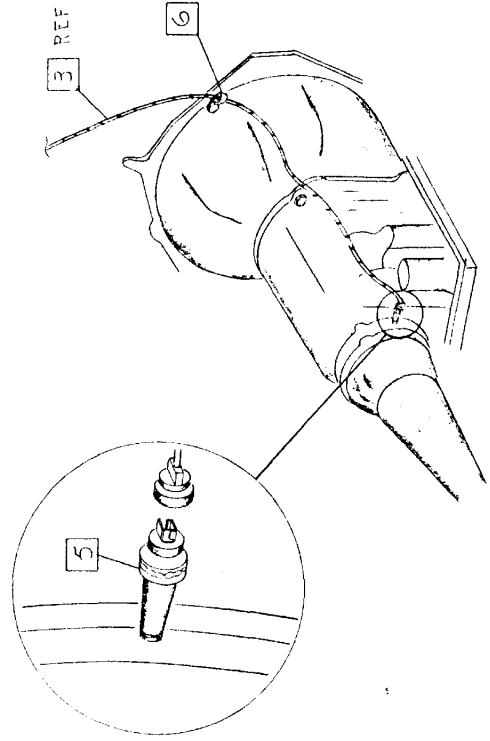
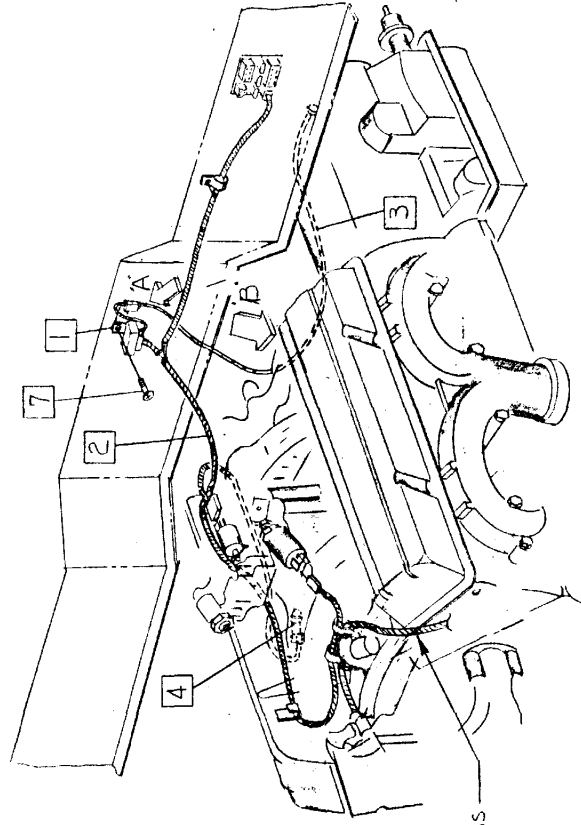
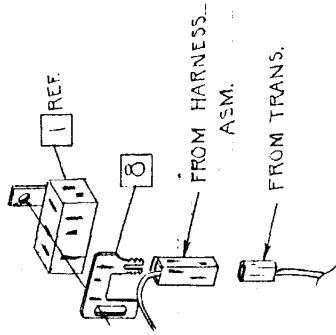
APPVD.

MODEL: B-12 B-12E B-12W8 B-12W
DATE 9-1-71
GRAPHIC ILLUSTRATION
TRANSMISSION CONT. SPARK - WIRING 8 CYL.

DATE	CHANGES

1. 705003 RELAY ASM. - TIME DELAY (23 SEC)
2. 705016 HARNESS ASM. - T.C.S.
3. 705015 WIRE ASM. - TRANS.
4. 703664 SWITCH ASM. - THERMO
5. 705004 SWITCH ASM. - T.C.S.
6. 80352 CLIP - "J" TYPE
7. 161895 SCREW *10 * 1/2 PH. CR.
8. 626890 CLIP - MTS. LOCK TYPE CONN. BODY.

VIEW IN DIRECTION OF
ARROW A



VIEW IN DIRECTION OF ARROW "B"

CANCELED - T.C.S. DISCONTINUED

CHECKER MOTORS CORP. KALAMAZOO, MICH.

EFFECTIVE OCT 1, 1971

MODEL: B-12 B-12E B-12WB
B-11 B-11E B-12W

DWN. DEKREZ.
CHK. APPVD.

DATE II-5-71

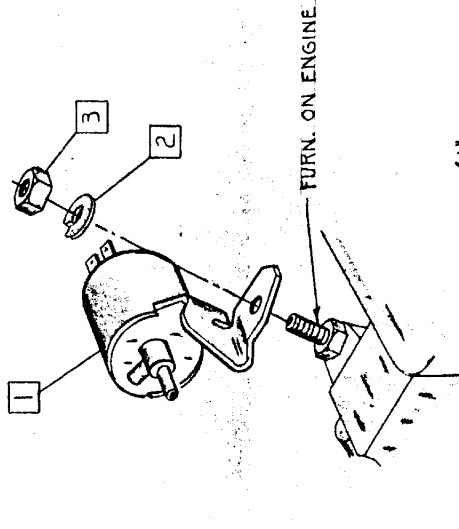
GRAPHIC ILLUSTRATION

SHEET NO. 420 A-7

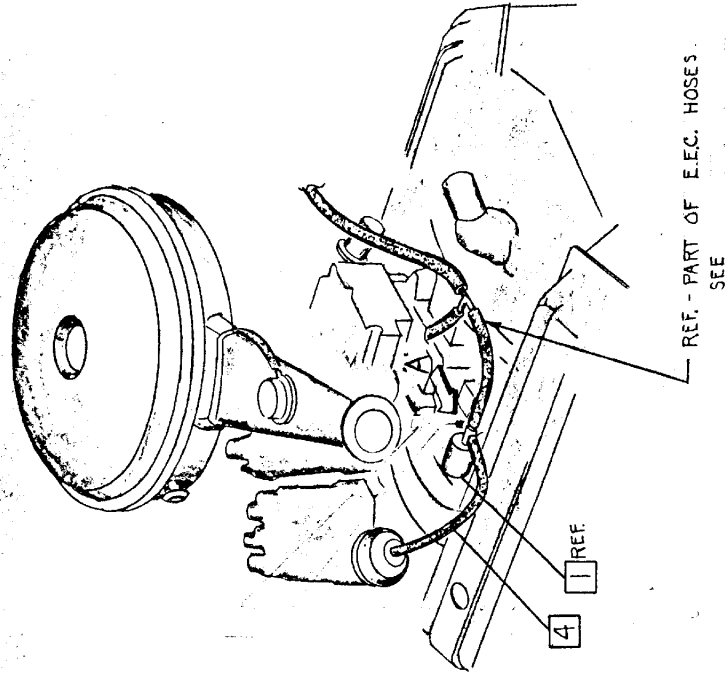
TRANSMISSION CONTROLLED SPARK - 8 CYL.

DATE	CHANGES

- 1. 704948 VALVE ASM. - T.C.S. SOL. V-8
- 2. 120214 L.W. $\frac{3}{16}$ - I.M.E.D SPRING
- 3. 120376 NUT $\frac{3}{16}$ - 18 HEX.
- 4. 702942 HOSE - CARB TO DIST. VAC.



VIEW IN DIRECTION OF ARROW 'A'



CANCELED T.C.S. DISCONTINUED