

GRAPHIC ILLUSTRATION

TAILGATE - BODY OPENING

DATE

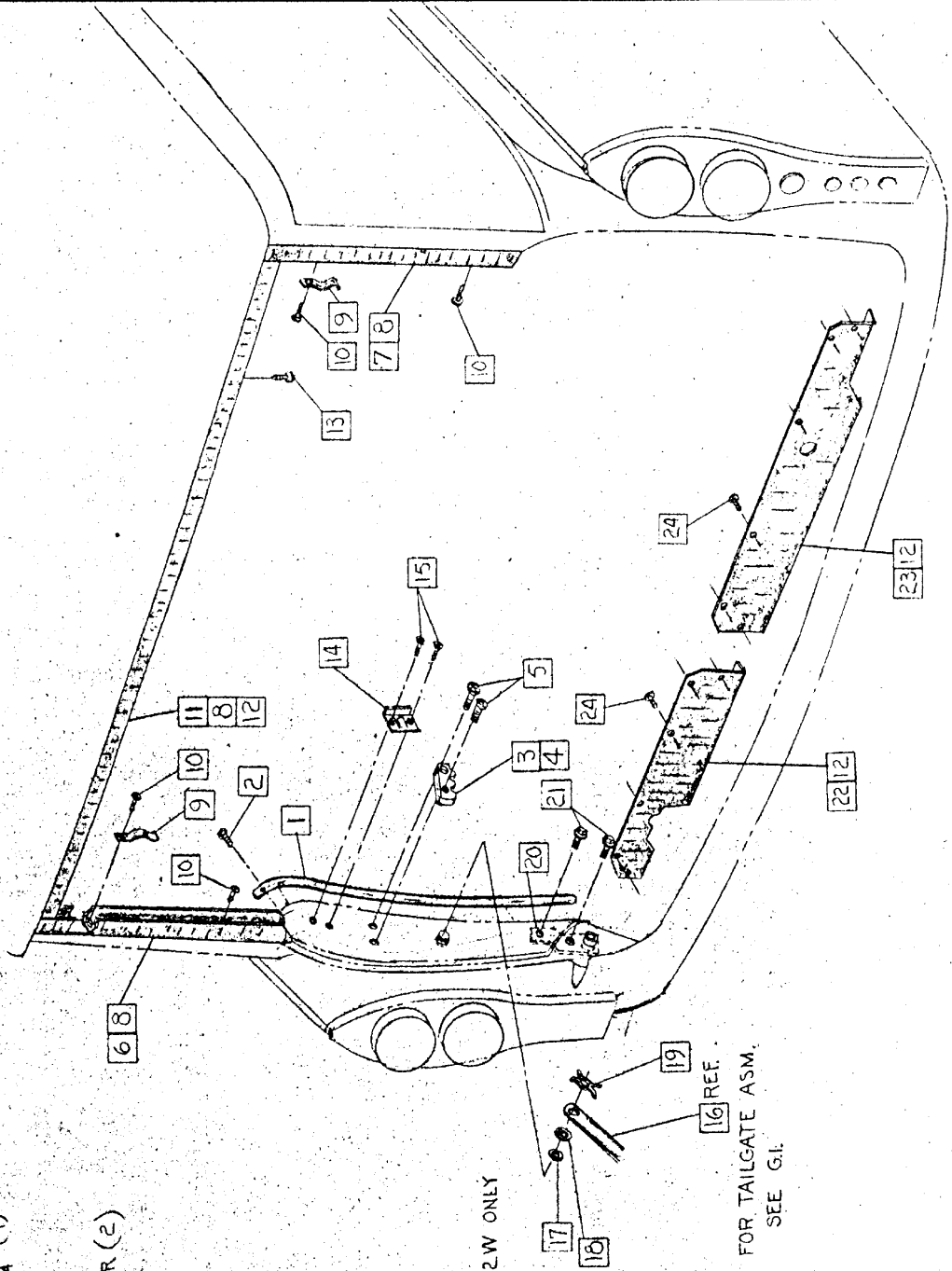
8-3-70

A-12W6

A-12W

MODEL:

- 1. 636063 MOLDING - TAILGATE OPENING LOWER (2)
- 2. 163098 SCREW #6 x 3/8 (2)
- 3. 636127 STRIKER - TAILGATE LOCK L.H.
- 4. 636128 STRIKER - TAILGATE LOCK R.H.
- 5. 626471 SCREW + E.T. L.W. ASM. 3/16 x 24 x 1 1/4 (4)
- 6. 635231 MOLDING ASM. - TAILGATE L.H.
- 7. 635232 MOLDING ASM. - TAILGATE R.H.
- 8. ML-103 SEALER 1/6 x 3/4 RUBBER TAPE
- 9. 636514 SPRING - TAILGATE GLASS TENSIONER (2)
- 10. 163184 SCREW #8 x 3/4 (4)
- 11. 635229 MOLDING + CHANNEL ASM.
- 12. ML-107 SEALER
- 13. 162662 SCREW #8 - 18 x 3/4 (5)
- 14. 643458 WEDGE ASM. TAILGATE (2)
- 15. 164349 SCREW #8 - 32 x 1/4 PAN (4)
- 16. 635066 SUPPORT ARM. ASM. (2)
- 17. 626478 WASHER 1/2 I.D. x 3/4 O.D. WAVE (2)
- 18. 120395 WASHER 1 1/2 I.D. x 3/4 O.D. (2)
- 19. 626452 'X' WASHER 1/4 DIA. (2)
- 20. 635700 HINGE ASM. TAILGATE (2)
- 21. 9414914 SCREW 3/8 - 24 x 1 HEX. SERR. (4)
- 22. 644703 SHIELD - STA. WAGON REAR. L.H.
- 23. 644704 SHIELD - STA. WAGON REAR. R.H.
- 24. 163158 SCREW #8 x 3/8 (18)



FOR TAILGATE ASM.
SEE G.I.

CHECKER MOTORS CORP. KALAMAZOO, MICH.

EFFECTIVE OCT 1, 1970

SHEET NO. 390 A-2

DWN. DEKKER
CHK. 11-17-71

APPVD.

GRAPHIC ILLUSTRATION

TAILGATE - MANUAL

DATE

5-4-71

MODEL:

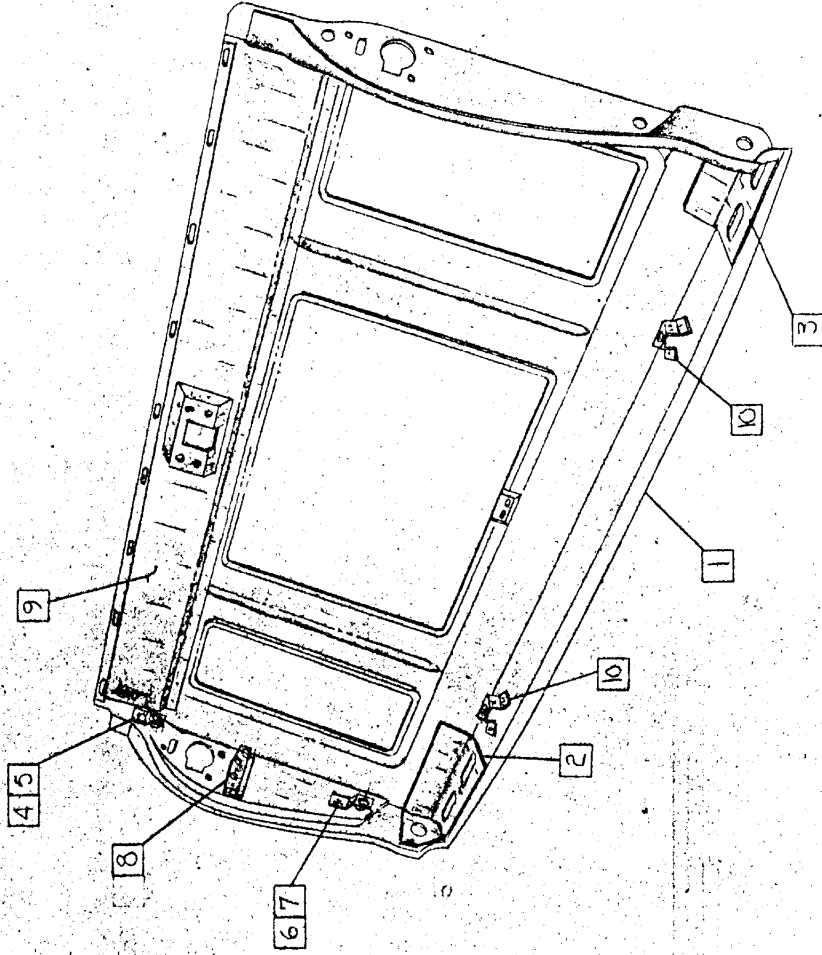
A-12W8

A-12W

ALL PARTS LISTED ARE PART OF 635032 PANEL

ASM. - TAILGATE INNER WELDED

1. 636331 PANEL - TAILGATE - INNER
2. 636387 REINFORCEMENT - TAILGATE DOOR HINGE L.H.
3. 636388 REINFORCEMENT - TAILGATE DOOR HINGE R.H.
4. 636333 BRACKET - T/G GLASS RUN L.H.
5. 636334 BRACKET - T/G GLASS RUN R.H.
6. 636177 BRACKET - T/G GLASS RUN L.H.
7. 636176 BRACKET - T/G GLASS RUN R.H.
8. 635124 REINF. ASM. - T/G SUPT. - DOOR (2)
9. 636384 REINF. - T/G INNER PANEL
10. 635207 BRACKET ASM. - T/G GLASS BUMPER (2)



NOTE: WELD ALL PARTS IN SECURELY

CHECKER MOTORS CORP. KALAMAZOO, MICH.

EFFECTIVE OCT 1, 1970

MODEL:

A-12W

DATE

5-21-71

GRAPHIC ILLUSTRATION

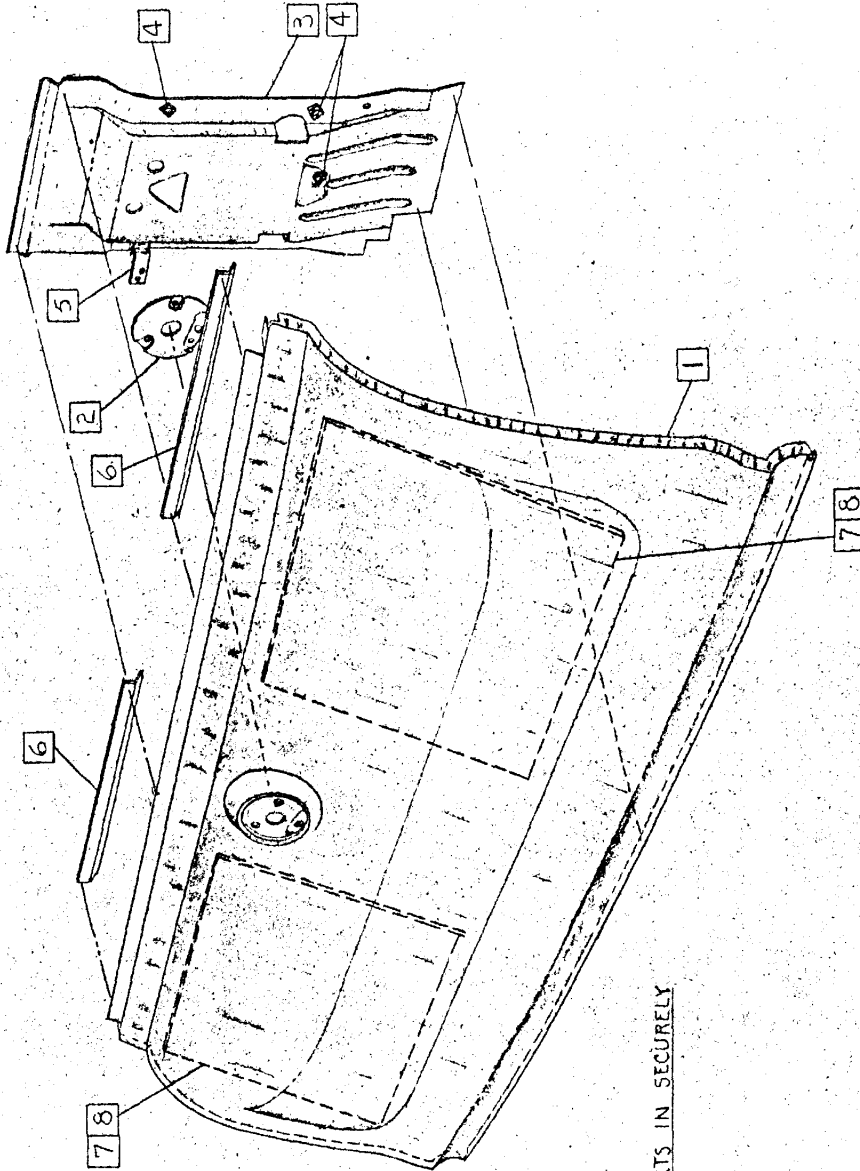
TAILGATE - MANUAL

DWN. DEKKER

CHK. 11-17-71

SHEET NO. 390 A-3

APPVD.



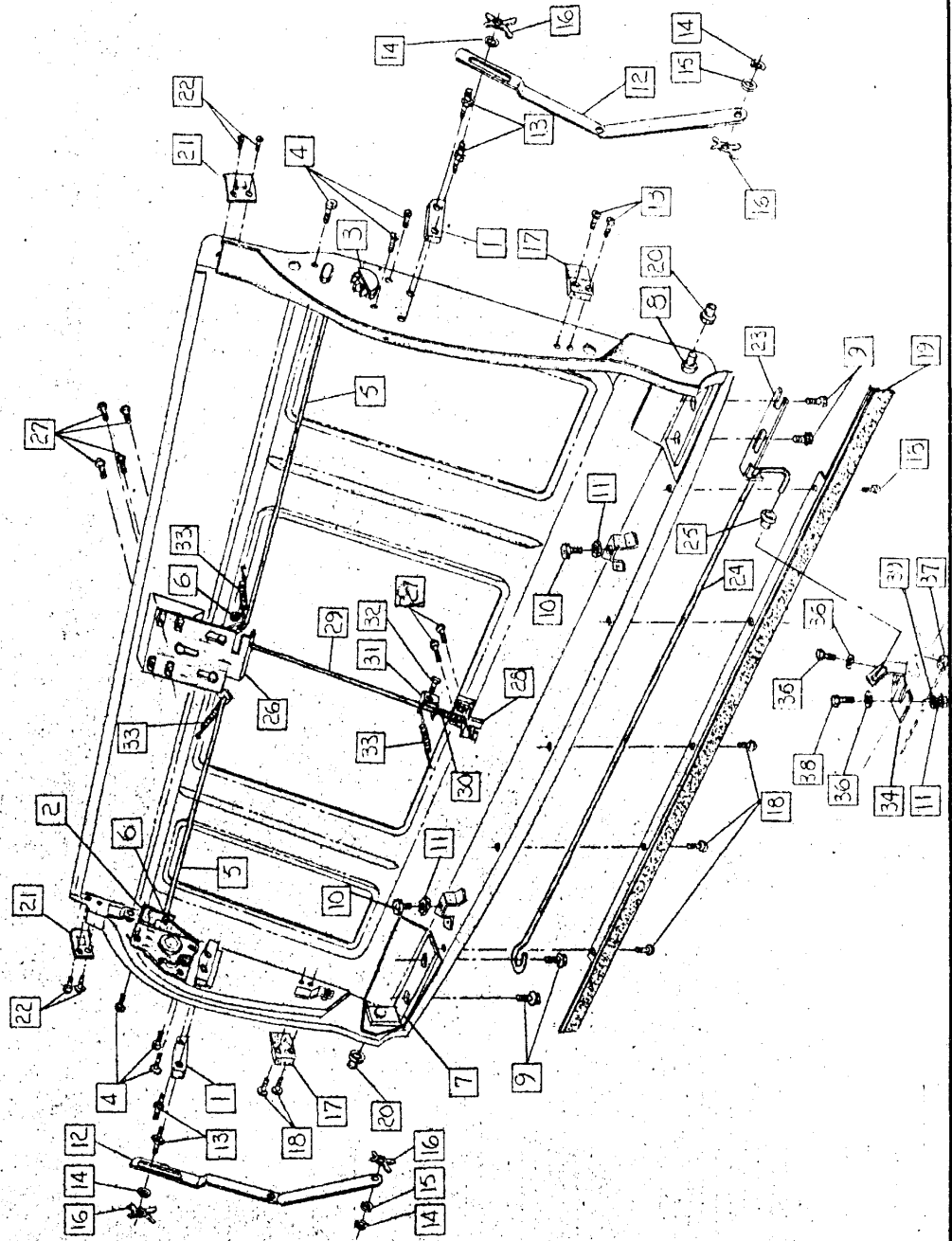
NOTE: WELD ALL PARTS IN SECURELY

- 8. MA-113 CEMENT
- 7. 636522 DEADENER - T/G (2)
- 6. 636453 SUPPORT - T/G WEATHERSTRIP RETAINER. (2)
- 5. 636532 BRACKET - T/G LIMIT SW.
- 4. 626255 NUT 1/4"-20 WELD. (5)
- 3. 636349 SUPPORT - T/G REG.
- 2. 636486 REINFORCEMENT - T/G REG. HANDLE MTG.
- 1. 636574 PANEL - T/G OUTER

ALL PARTS LISTED ARE PART OF 635067 - PANEL
ACM - TAILGATE OUTER

APPVD.

1. 636335 PLATE - T/G SUPPORT TAPPING (2)
2. 635013 LOCK ASM. - T/G L.H.
3. 635014 LOCK ASM. - T/G R.H.
4. 187987 SCREW + ET. LW. ASM. $12-24 \times \frac{1}{2}$ RHCR (6)
5. 643582 ROD ASM. - T/G LOCK RELEASE (2)
6. 626465 NUT $\frac{3}{8}$ SELF THREADING (4)
7. 635057 HINGE ASM. - T/G DOOR HALF L.H.
8. 635058 HINGE ASM. - T/G DOOR HALF R.H.
9. 9414914 SCREW $\frac{3}{8} \times 24 \times 1$ HEX. SERR. (4)
10. 635049 BUMPER ASM. - T/G GLASS (2)
11. 120375 NUT $\frac{1}{4} \times 20$ HEX. (3)
12. 635066 SUPPORT ARM. ASM. - T/G (2)
13. 636336 PIN. - T/G SUPPORT (4)
14. 626478 WASHER $\frac{1}{2}$ ID. $\times \frac{3}{4}$ O.D. SPRING (4)
15. 120395 WASHER $\frac{3}{8}$ ID. $\times \frac{3}{4}$ O.D. (2)
16. 626482 "X" WASHER $\frac{1}{4}$ DIA. (4)
17. 635107 BUMPER ASM. - T/G SUPPORT (2)
18. 163162 SCREW $8 \times \frac{1}{2}$ RHCR. (9)
19. 635228 RETAINER + W/SEAL ASM.
20. 636126 BUSHING - T/G HINGE (2)
21. 640676 STRIKER - T/G WEDGE (2)
22. 164349 SCREW $8-32 \times \frac{1}{4}$ PHCR. (4)
23. 636538 BRACKET - T/G TORSION. ROD
24. 636540 ROD - T/G TORSION
25. 644619 ROLLER - T/G TORSION ROD
26. 635170 RELEASE ASM. - T/G LOCK
27. 273513 SCREW + ET. LW. ASM. $10-24 \times \frac{1}{2}$ (6)
28. 635186 BRACKET ASM. - T/G INTERLOCK ROD
29. 636466 ROD - T/G INTERLOCK
30. 636135 SPRING - T/G INTERLOCK
31. 626462 CLIP $\frac{1}{4}$ ROD RETAINER
32. 162903 SCREW $10 \times \frac{1}{2}$
33. 94104 SPRING - T/G ANTI-RATTLE (3)
34. 636579 GUIDE - T/G TORSION ROD
35. 121300 BOLT $\frac{1}{4} \times 20 \times 1$ HEX. (2)
36. 120392 WASHER $\frac{3}{2}$ ID. $\times \frac{3}{8}$ O.D. (2)
37. 626403 NUT, WASHER + SEALER ASM. $\frac{1}{4} \times 20$ (2)
38. 121687 BOLT $\frac{1}{4} \times 20 \times \frac{3}{4}$ HEX.
39. 120380 L.W. $\frac{1}{4}$ MED. SPRING.



CHECKER MOTORS CORP. KALAMAZOO, MICH.

EFFECTIVE OCT 1, 1970

SHEET NO. 390 A-5

DWN. DRAWN
CHK. 11-17-71

GRAPHIC ILLUSTRATION

DATE 5-28-71

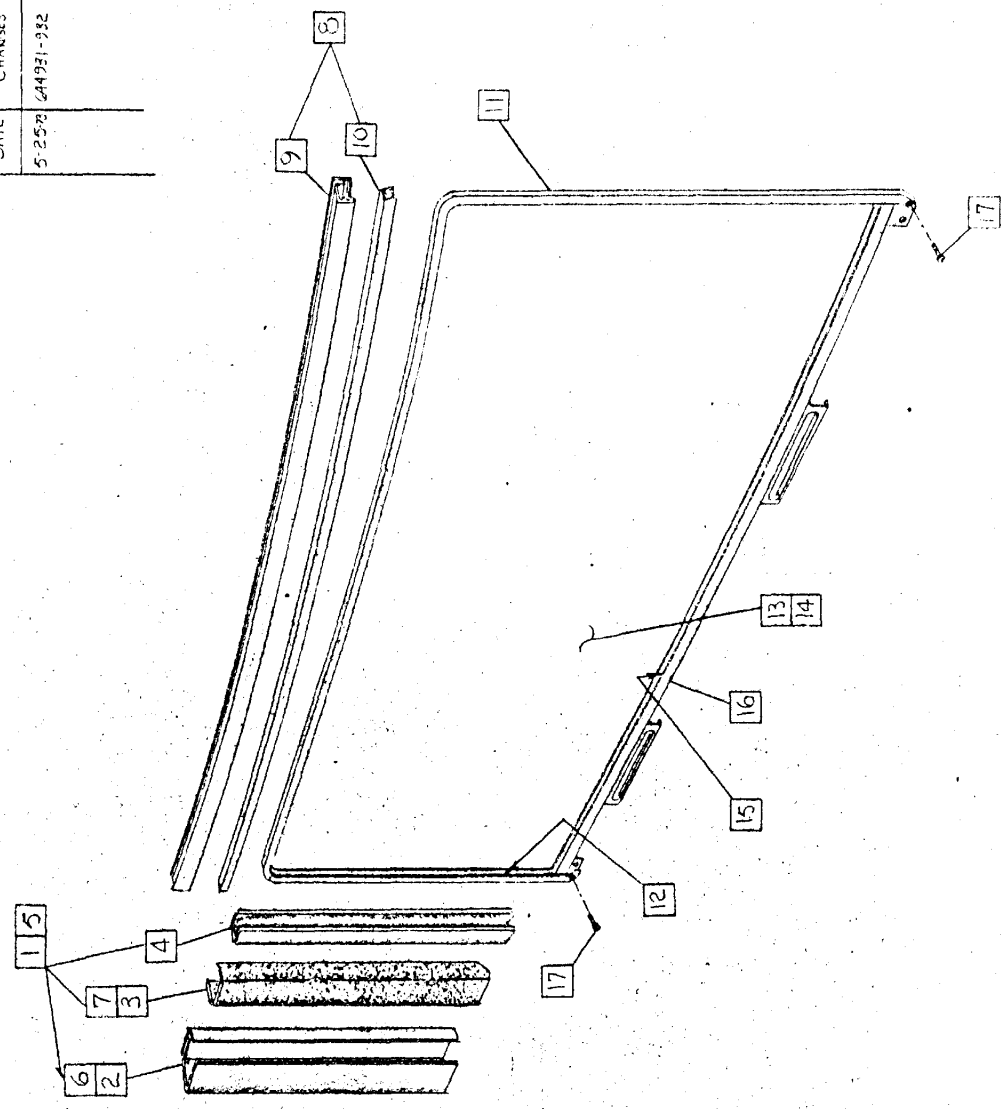
A-12WB

MODEL A-12W

TAILGATE - MANUAL APPVD.

DATE	CHANGES
5-25-71	644931-382 Wkr 636057-058

- 1. 635231 MOLDING ASM. - T/G OPENING SIDE LH.
- 2. 644931 MOLDING - T/G OPENING LH.
- 3. 636245 WEATHERSEAL - T/G OPENING SIDE LH
- 4. 636059 CHANNEL - T/G GLASS RUN SIDE
- 5. 635232 MOLDING ASM. - T/G OPENING SIDE RH.
- 6. 644932 MOLDING - T/G OPENING R.H.
- 7. 636246 WEATHERSEAL - T/G OPENING SIDE RH.
- 8. 635229 MOLDING - CHANNEL ASM. UPPER
- 9. 636537 MOLDING - T/G OPENING UPPER
- 10. 636543 CHANNEL - T/G GLASS RUN UPPER
- 11. 636053 FRAME - T/G GLASS
- 12. 636054 GLAZING - T/G GLASS FRAME
- 13. 636040 GLASS - T/G - CLEAR
- 14. 636513 GLASS - T/G TINTED
- 15. 636055 GLAZING - T/G GLASS REG. CHANNEL
- 16. 635221 CHANNEL ASM. - T/G GLASS REG.
- 17. 163095 SCREW *6 * 3/8 PHCR. (2)



DWN. DESKER
CHK. P 11-18-71

APPVD.

GRAPHIC ILLUSTRATION

TAILGATE - MANUAL

DATE
6-16-71

MODEL:
A-12WS
A-12W

- 1. 635203 CHANNEL ASM. - T/G GLASS RUN (2)
- 2. 174916 L.W. 1/4 INT. EXT. TOOTH (4)
- 3. 120375 NUT 1/4-20 HEX. (4)
- 4. 635069 W/STRIP + RETAINER ASM. - T/G GLASS
- 5. 636210 MOLDING - T/G DOOR
- 6. 163098 SCREW *6 * 3/8 (5)
- 7. 635018 W/STRIP ASM. - T/G GLASS INNER
- 8. 626201 PLUG BUTTON 3/4 HOLE (4)
- 9. 626441 NUT *10 HEX PALNUT
- 10. 636497 SEAL - T/G REG. HANDLE
- 11. 643725 HANDLE ASM. - T/G
- 12. 635011 REGULATOR ASM. - T/G
- 13. 636535 SPRING T/G REG.
- 14. 636865 SPACER - T/G WDO. REG. (2)
- 15. 626449 SCREW + ET. LW. 1/4-20 * 1/2 (3)
- 16. 643528 PANEL ASM. - T/G INNER
- 17. 626456 SCREW + WASHER ASM *8 * 1/4 (12)
- 18. 636516 WATER DEFLECTOR - T/G (2)
- 19. 636517 WATER DEFLECTOR - T/G
- 20. 635213 W/SEAL ASM. - T/G SIDE LH.
- 21. 635214 W/SEAL ASM. - T/G SIDE RH.
- 22. 163158 SCREW *8 * 3/8 (6)
- 23. 636787 BRACKET - T/G LOWER (4)
- 24. 636788 W/SEAL - T/G LOWER (2)
- 25. 164349 SCREW *8-32 * 1/4 (4)
- 26. 635205 GLASS + FRAME ASM. - T/G CLEAR
- 27. 643747 GLASS + FRAME ASM. - T/G TINTED
- 28. 625932 RETAINER - WINDOW REG. STUD (2)

