

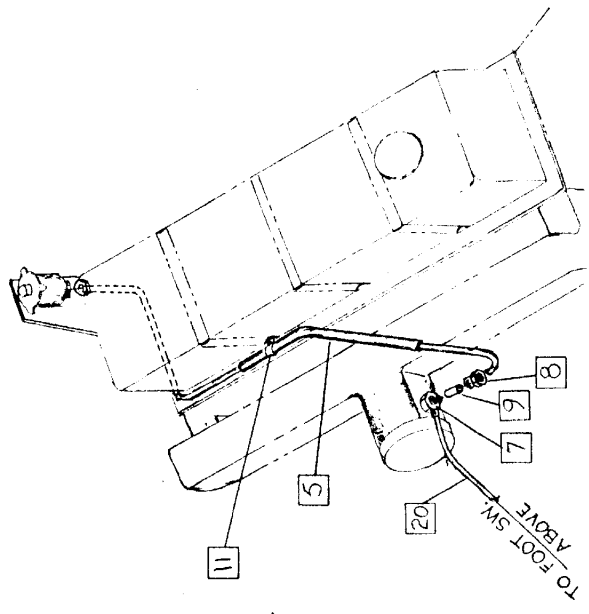
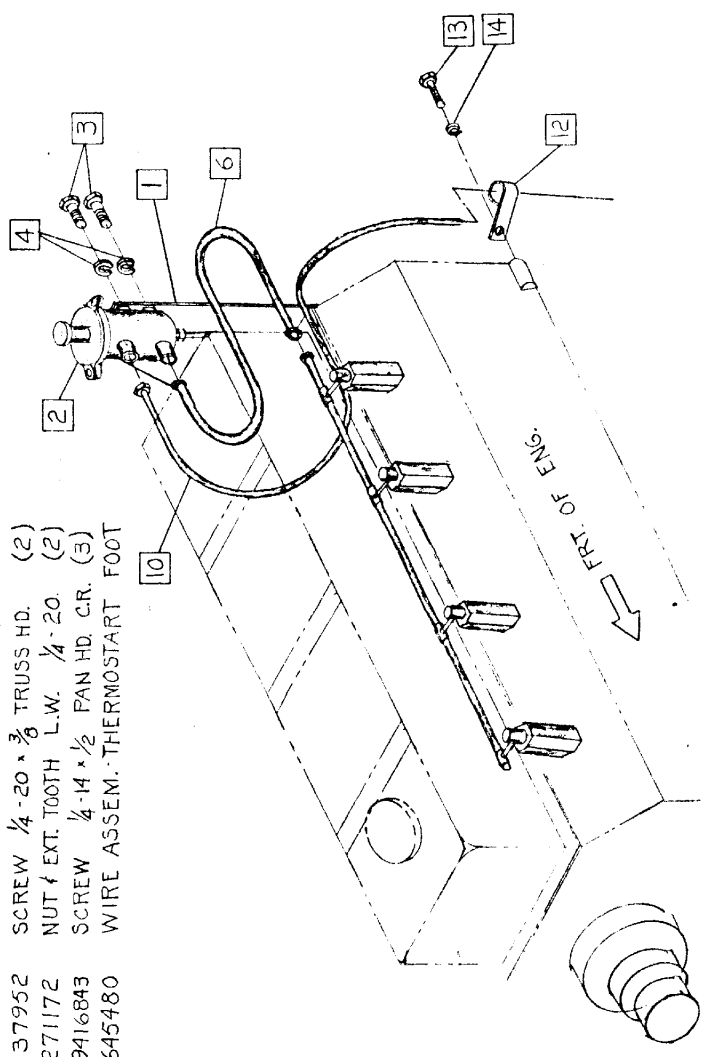
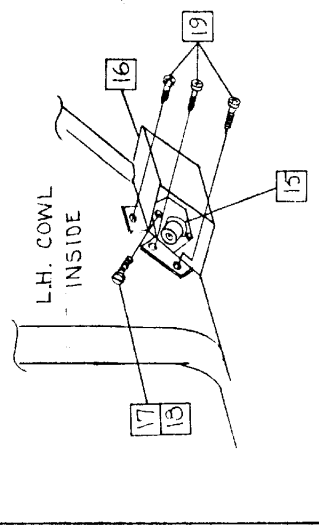
CHECKER MOTORS CORP. KALAMAZOO, MICH.

EFFECTIVE OCT. 1, 1969

MODEL: B-11 B-12	B-11E B-12E B-12W	DATE 2-5-71	GRAPHIC ILLUSTRATION THERMOSTART - DIESEL	DWN. DEKKER CHK. <i>[Signature]</i>	SHEET NO. 350 A-1
---------------------	-------------------------	----------------	--	--	-------------------

CHANGE'S	
2-12-71	9416843 WAS 9411537

1. 703372 BRACKET ASSEM.
2. 703373 CONTAINER ASSEM.
3. 120854 BOLT $\frac{1}{4}$ -28 x $\frac{3}{8}$ HEX. (2)
4. 120380 L.W. $\frac{1}{4}$ MED. SPRING (2)
5. 703146 TUBE ASSEM. - FUEL CONT. TO THERMOSTART
6. 703374 TUBE ASSEM. - INJECTOR LEAK-OFF TO FUEL CONT.
7. 703375 HEATER ASSEM. - INTAKE MANIFOLD
8. 704474 NUT $\frac{3}{8}$ TUBE - MALE
9. 704475 OLIVE $\frac{3}{8}$ TUBE - RUBBER
10. 703150 TUBE ASSEM. - FUEL CONT. TO FLEX HOSE
11. 80361 CLIP $\frac{3}{16}$ TUBE - $\frac{1}{4}$ HOLE (ATTACH WITH VLV. COVER BOLT)
12. 82144 CLIP OPEN J'
13. 181629 BOLT $\frac{3}{8}$ -24 x $\frac{5}{8}$ HEX.
14. 120382 L.W. $\frac{3}{8}$ MED. SPRING
15. 645320 SWITCH ASSEM. - B/P PARTITION FOOT MOUNTING
16. 644278 MOUNTING
17. 137952 SCREW $\frac{1}{4}$ -20 x $\frac{3}{8}$ TRUSS HD. (2)
18. 271172 NUT $\frac{1}{4}$ EXT. TOOTH L.W. $\frac{1}{4}$ -20. (2)
19. 9416843 SCREW $\frac{1}{4}$ -14 x $\frac{1}{2}$ PAN HD. CR. (3)
20. 645480 WIRE ASSEM. - THERMOSTART FOOT



CHECKER MOTORS CORP. KALAMAZOO, MICH.

EFFECTIVE SEPT. 1, 1965

MODEL: 5-11E DIESEL CHASSIS
B-12E

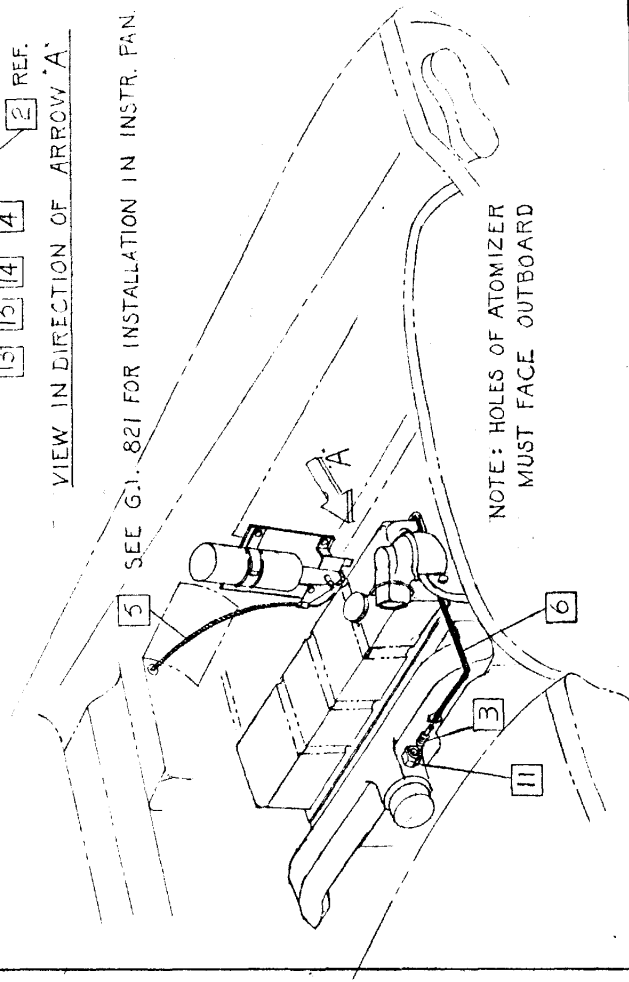
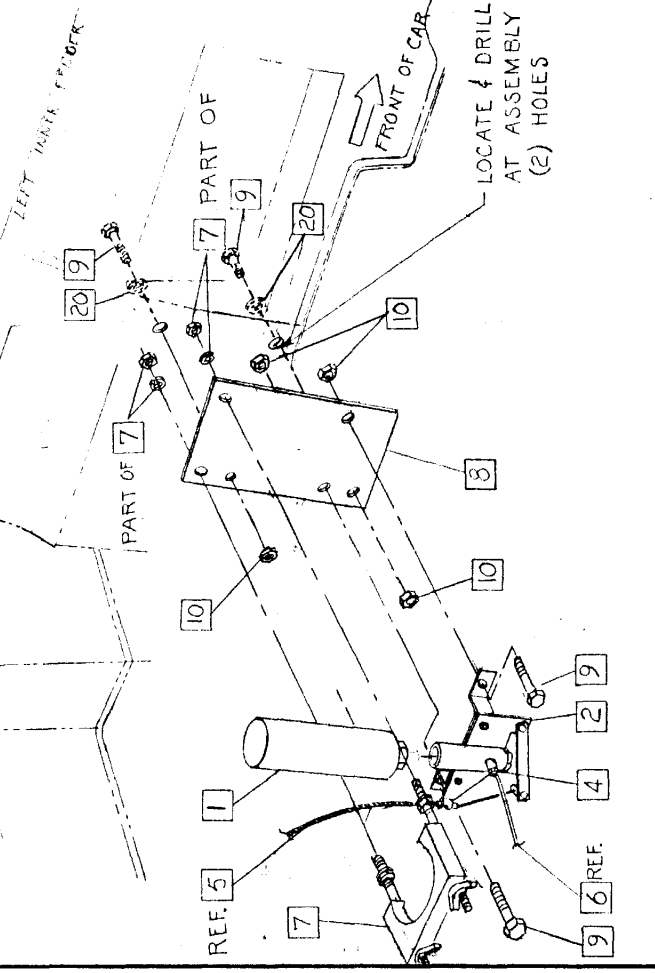
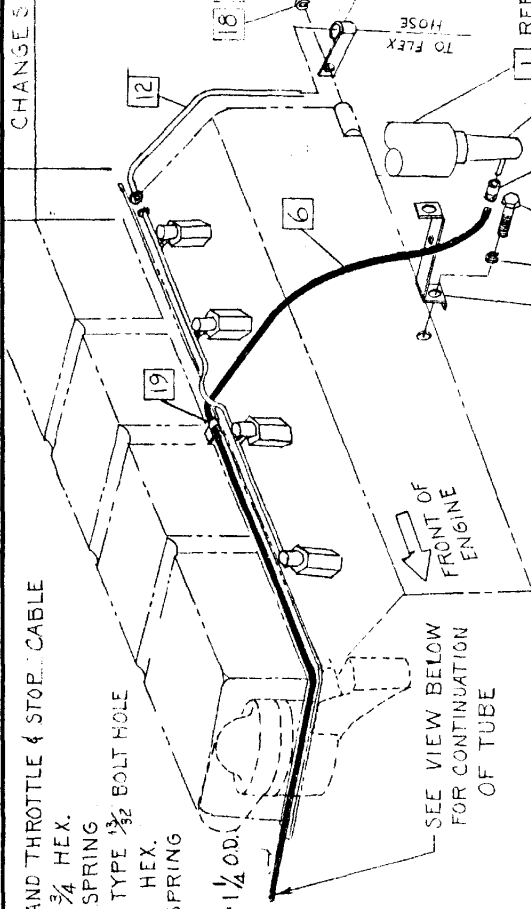
GRAPHIC ILLUSTRATION
QUICK START - TURNER - DIESEL

DWN. DEKKER
CHK. K. *Kaplan*
APPVD.

SHEET NO. 350 A-2

1. 704484 TANK - ETHER QUICK START
2. 703377 VALVE & BRKT. ASSEM.
3. 704476 ATOMIZER - QUICK START
4. 704477 COUPLER - TUBE TO VALVE
5. 703378 CABLE ASSEM. - VALVE CONTROL
6. 704478 TUBE - 45" LENGTH (NYLON)
7. 704657 CLAMP - ETHER TANK TO MTG. PLATE
8. 704479 PLATE - ETHER TANK BRKT. MTG.
9. 120706 BOLT 1/4 - 20 x 1/2 HEX. (4)
10. 271172 NUT & EXT. TOOTH L.W. 1/4 - 20 (4)
11. 704450 PLUG - QUICK START NOZZLE ADAPTOR
12. 703360 TUBE ASSEM. - INJECTOR LEAD OFF TO FLEX. HOSE

13. 704468 MOUNT - ENG. HAND THROTTLE & STOP. CABLE
14. 181595 BOLT 5/16 - 24 x 3/4 HEX.
15. 120214 L.W. 5/16 MED. SPRING
16. 82144 CLIP - OPEN 'J' TYPE 1/2 BOLT HOLE
17. 191629 BOLT 3/8 - 24 x 5/8 HEX.
18. 120382 L.W. 3/8 MED. SPRING
19. 80361 CLIP 3/8 TUBE
20. 626326 WASHER 3/2 ID. 1 1/4 OD.
- 21



CHECKER MOTORS CORP. KALAMAZOO, MICH.

EFFECTIVE SEPT. 1, 1968

DWN. DEKKER
CHK. STD

SHEET NO. 350 A-3

DATE
2-5-71

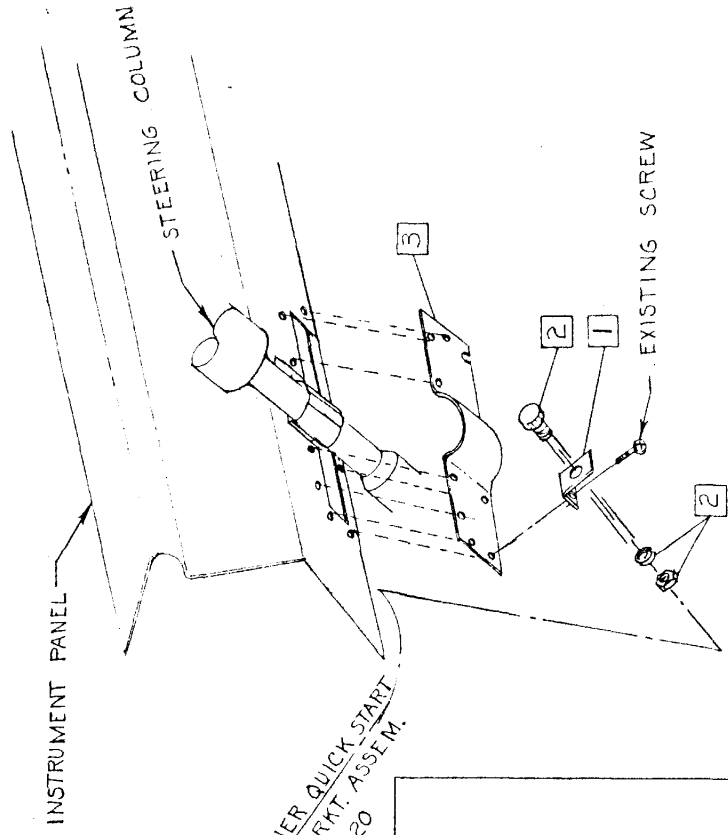
MODEL: B-11E DIESEL
B-12E CHASSIS

GRAPHIC ILLUSTRATION

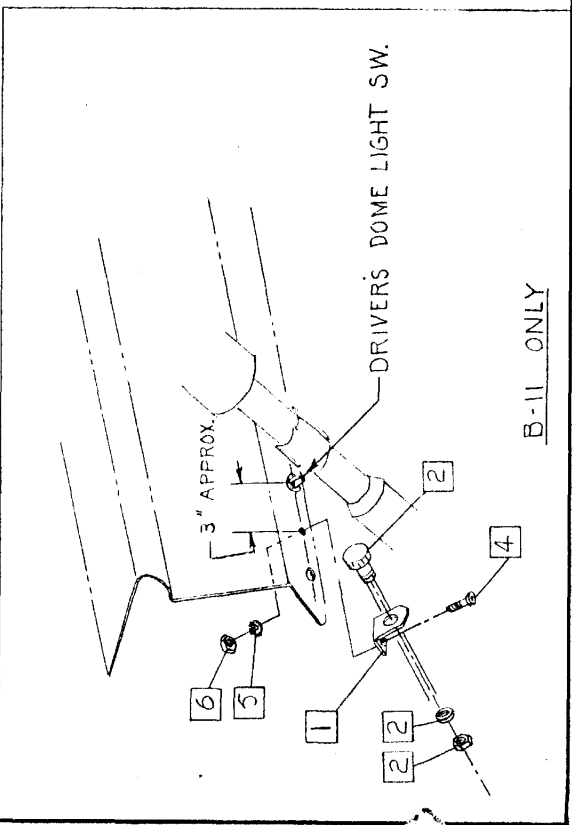
QUICK START VALVE CONTROL CABLE INSTALLATION - DIESEL

APPVD.

- 1. 704481 BRACKET - CONTROL CABLE MTG.
- 2. 705376 CABLE ASSEM. - VALVE CONTROL
- 3. 644236 PANEL - INSTRUMENT ACCESS
- 4. 431942 SCREW #10-32 x 1/2 HEX. HD.
- 5. 136479 L.W. #10 EXT. TOOTH
- 6. 120614 NUT #10-32 HEX.



TO TURNER QUICK START
VALVE & BRKT. ASSEM.
SEE G.I. 820



DRIVERS DOME LIGHT SW.

B-11 ONLY