

CHECKER MOTORS CORP. KALAMAZOO, MICH.

EFFECTIVE OCT. 1, 1970

SHEET NO. 190 · A · 1

DWN. DEKSER
CHK. SAO-3-70

APPVD.

GRAPHIC ILLUSTRATION

FRONT END ASM. - RADIATOR + SUPPORT

DATE

2-27-70

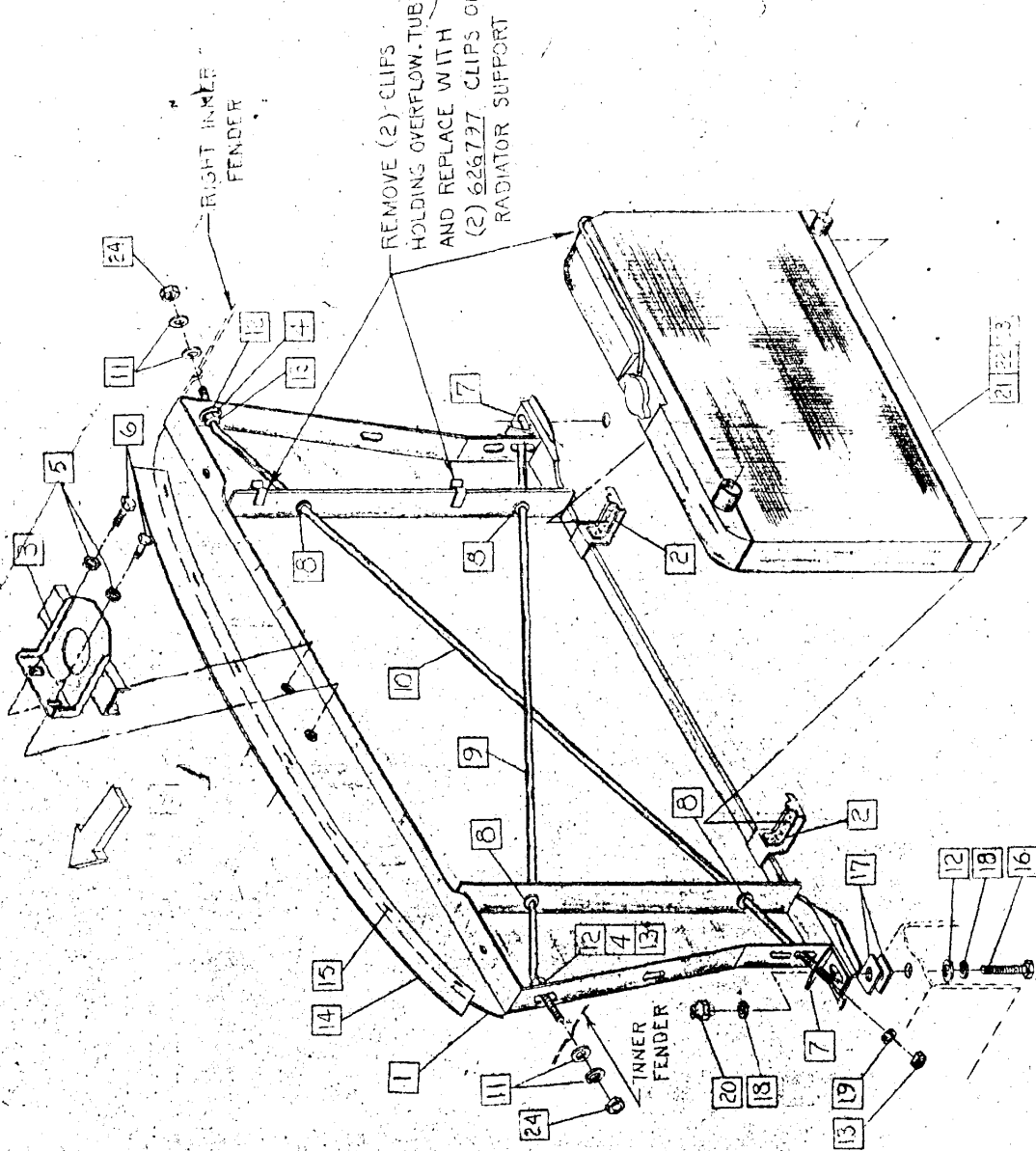
A-12WB

MODEL: A-12

A-12E

A-12W

1. PANEL ASM. - RADIATOR SUPT.
2. PAD - RAD. MTG. - LOWER (2)
3. BRACKET + PAD ASM. - RAD. MTG. UPPER
4. WASHER 1/2 ID. x 1/4 OD. (2)
5. L.W. 3/8 INT. EXT. TOOTH (2)
6. BOLT 3/8 - 24 x 3/4 HEX. (2)
7. BRACKET ASM. - RAD. SUPT. RODS. (2)
8. GRUMMET (4)
9. ROD - RAD. SUPPORT - REAR
10. ROD - RAD. SUPPORT - FORWARD
11. WASHER 1/2 ID. x 1 1/2 OD. CROWN (4)
12. WASHER 7/16 ID. x 1 3/8 OD. (2)
13. NUT 7/16 - 24 HEX. (6)
14. SEAL - RAD. SUPPORT
15. CLIP - RAD. SEAL RETAINER (7)
16. BOLT 3/8 - 16 x 2 HEX. (2)
17. SHIM - RAD. SUPT. MTG. (4)
18. WASHER 1 OD. x .3911 ID. (4)
19. L.W. 5/16 MED. SPRING (2)
20. NUT 3/8 - 16 HEX. (2)
21. RADIATOR ASM. - 1 1/4" CORE, 8 FIN.
22. RADIATOR ASM. - 1 1/2" CORE, 12 FIN.
23. RADIATOR ASM. - 2" CORE, 15 FIN.
24. NUT 3/16 - 24 HEX. (2)



12-1-72	626851	Was	120368
9-6-72	120214	120393	Added
5-24-72	706571	Was	120365
3-7-72	178566	Was	120393, 120214
2-28-72	647950	Was	647224
2-23-71	626892	Was	168130
1-8-71	120382	L.W.	Removed
1-4-71	16	Bot	Reversed
~	446477	Was	(4) Rec'd
~	626779	Was	120377

CHANGES

CHECKER MOTORS CORP. KALAMAZOO, MICH.

EFFECTIVE OCT 1, 1970

MODEL: A-12
A-11E
A-12E
A-12W
A-12WB

DATE
9-12-69

GRAPHIC ILLUSTRATION

DWN. DEKKER
CHK. S.A.B.

SHEET NO. 190 A-2

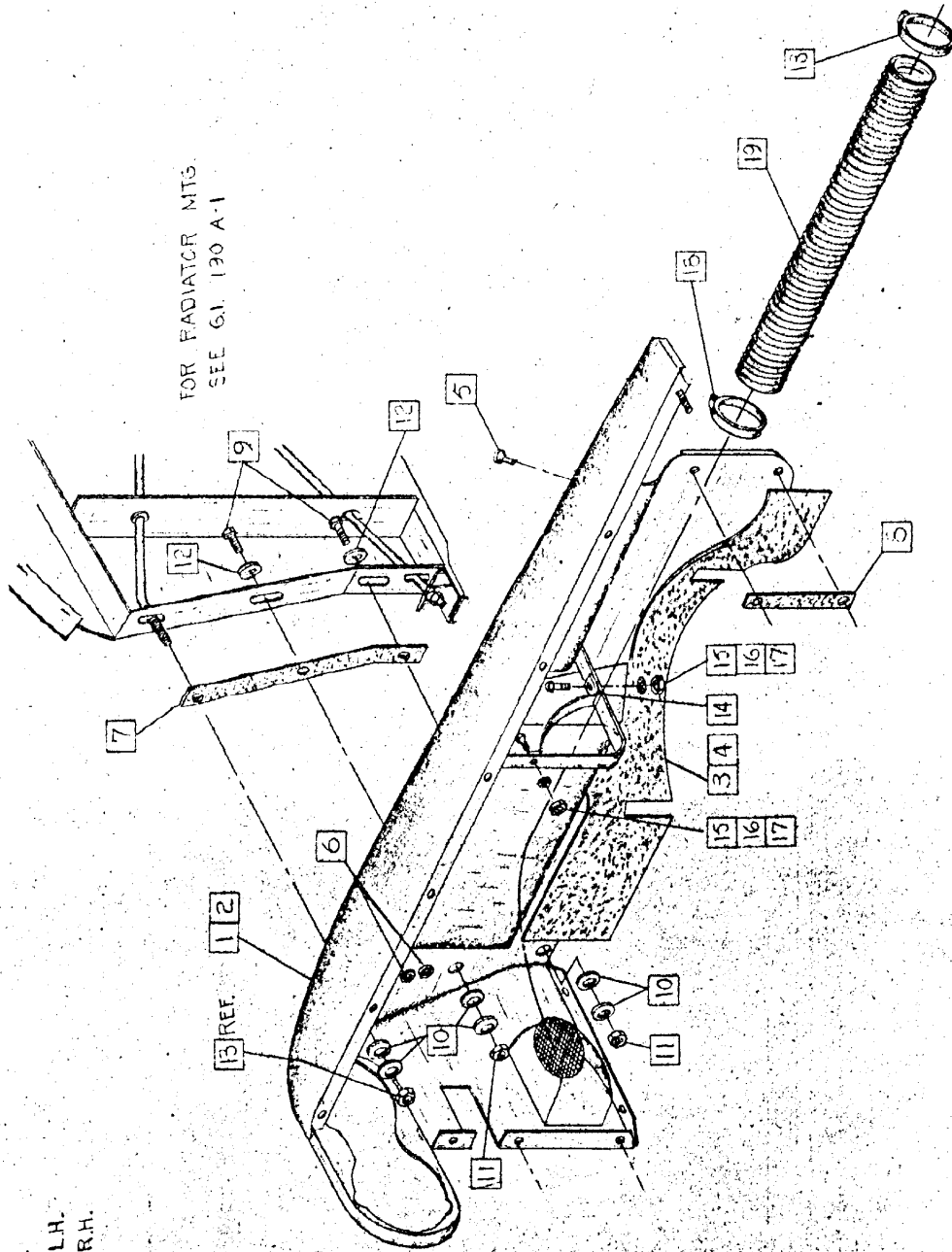
FRONT END ASSEM. - INNER FENDER MTS.

APPVD.

ALL PART NUMBERS AND NUMBER REQ'D ARE FOR BOTH LEFT & RIGHT HAND SIDES UNLESS SPECIFIED

1. 647101 PANEL ASSEM. - FRT. FENDER - INNER L.H.
2. 647102 PANEL ASSEM. - FRT. FENDER - INNER R.H.
3. 630455 FLAP - FRT. FENDER MUD - L.H.
4. 640576 FLAP - FRT. FENDER MUD - RH.
5. 622595 BUMPER - HOOD (8)
6. 634104 GROMMET - SLIT (4)
7. 634227 SEAL - RAD. SUPT. (2)
8. 634133 SEAL - FRT. BODY MTS BRKT. (2)
9. 181608 BOLT $\frac{3}{16}$ " - 24" - 1 HEX. (4)
10. 626504 WASHER $\frac{1}{2}$ " I.D. x $1\frac{1}{2}$ " O.D. CROWN (12)
11. 626851 NUT $\frac{3}{16}$ " - 24" HEX. (4)
12. 446477 WASHER $\frac{7}{16}$ " I.D. x $1\frac{1}{8}$ " O.D. (4)
13. 120368 NUT $\frac{3}{8}$ " - 24" HEX. (2) REF. ONLY
14. 634075 CLAMP - FRESH AIR DUCT (2)
15. 120854 BOLT $\frac{1}{4}$ " - 20" - $\frac{3}{8}$ " HEX. (4)
16. 174216 L.W. $\frac{1}{4}$ " INT - EXT. TOOTH (4)
17. 120375 NUT $\frac{1}{4}$ " - 20 HEX. (4)
18. 451246 CLAMP ASSEM. (4)
19. 637195 DUCT ASSEM. (2)

FOR RADIATOR MTS.
SEE G.I. 190 A-1



CHANGE 3

CHECKER MOTORS CORP. KALAMAZOO, MICH.

EFFECTIVE OCT. 1, 1970

SHEET NO. 190 A-3

DWN. DENKER
CHK. GAE
APPVD.

GRAPHIC ILLUSTRATION

FRONT END ASSEM. - OUTER FENDER MTG.

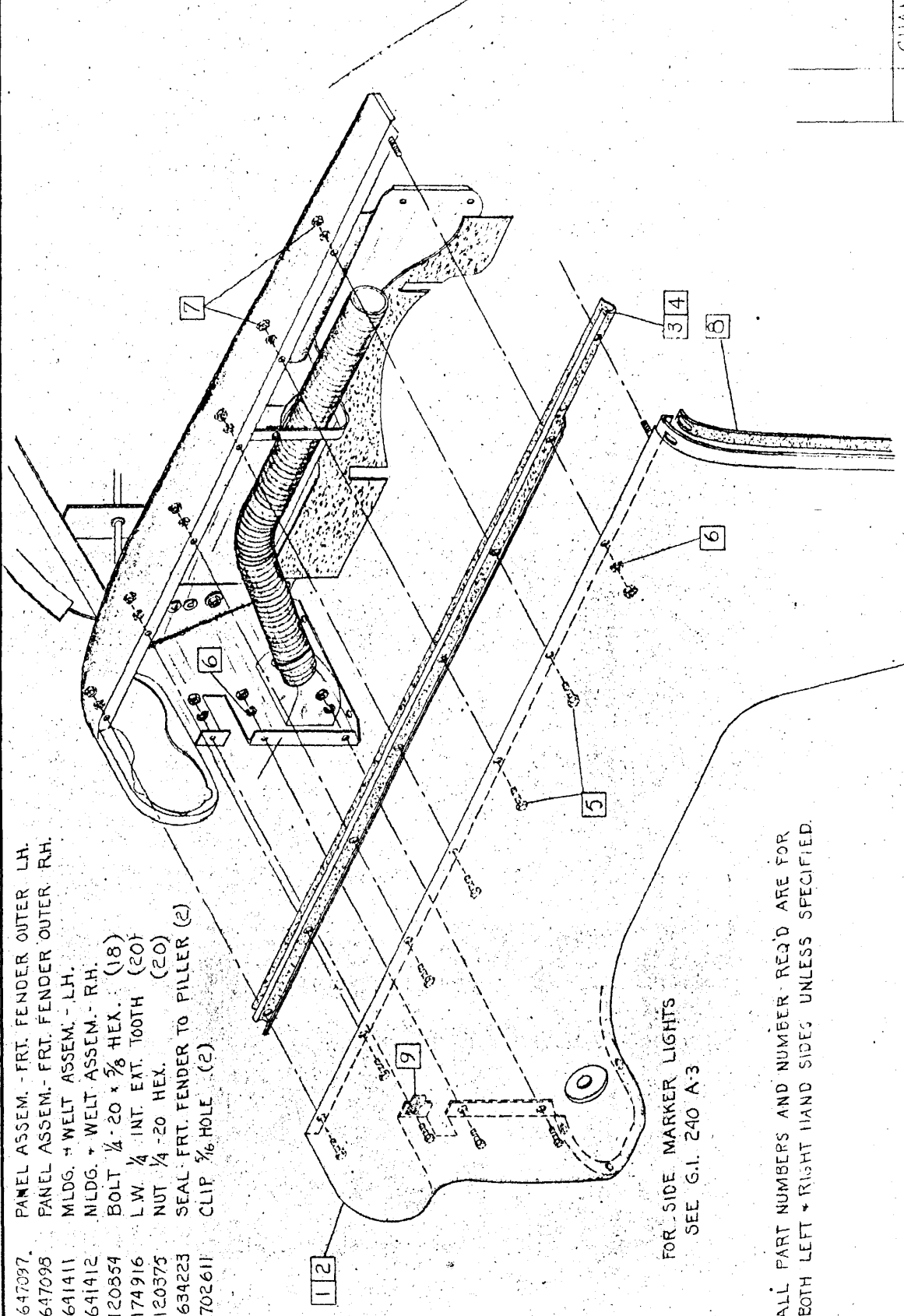
DATE

2-15-69

MODEL:

B-12 B-12W3
B-11 E B-12W3
B-11E B-12W

1. 647097. PANEL ASSEM. - FRT. FENDER OUTER L.H.
2. 647098. PANEL ASSEM. - FRT. FENDER OUTER R.H.
3. 641411. MLDG. + WELT ASSEM. - L.H.
4. 641412. MLDG. + WELT ASSEM. - R.H.
5. 120854. BOLT $\frac{1}{4}$ - 20 x $\frac{5}{8}$ HEX. (18)
6. 174916. L.W. $\frac{1}{4}$ INT. EXT. TOOTH (20)
7. 120375. NUT $\frac{1}{4}$ - 20 HEX. (20)
8. 634223. SEAL FRT. FENDER TO FILLER (2)
9. 702611. CLIP $\frac{3}{16}$ HOLE (2)



FOR SIDE MARKER LIGHTS
SEE G.I. 240 A-3

ALL PART NUMBERS AND NUMBER REQ'D ARE FOR
BOTH LEFT + RIGHT HAND SIDES UNLESS SPECIFIED.

CHANGES

CHECKER MOTORS CORP. KALAMAZOO, MICH.

EFFECTIVE OCT. 1, 1970

SHEET NO. 190 A-4

DWN. DRAWN
CHK. GKE

APPVD.

GRAPHIC ILLUSTRATION

FRONT END ASSEM. - SPLASH PANEL

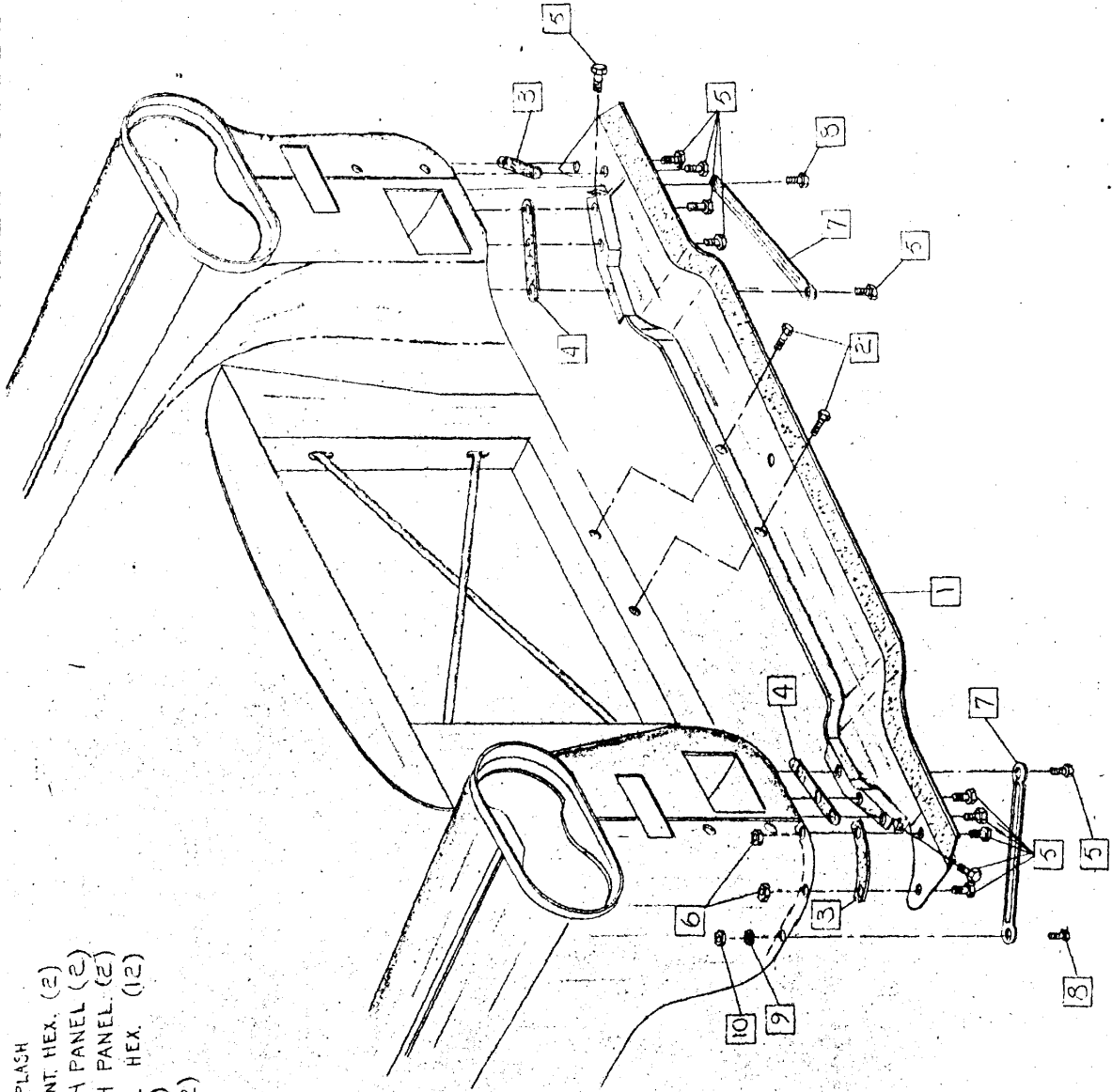
DATE

9-17-69

A-12W5

MODEL: A-12
A-12E
A-12W

1. 651590 EXTENSION + PANEL ASM. - FRT SPLASH
2. 626543 SCREW + L.W. ASSEM. $\frac{1}{4}$ -20 x $\frac{3}{8}$ INT. HEX. (2)
3. 634212 SEAL - FRT. FENDER TO SPLASH PANEL (2)
4. 640174 SEAL - FRT. FENDER TO SPLASH PANEL (2)
5. 626467 SCREW + L.W. ASSEM. $\frac{3}{16}$ -18 x $\frac{1}{2}$ HEX. (12)
6. 273802 NUT $\frac{3}{16}$ -18 SERR. HEX. (12)
7. 640110 BRACE - FRT. FENDER FRT. (2)
8. 120854 BOLT $\frac{1}{4}$ -20 x $\frac{3}{8}$ HEX. (2)
9. 174916 L.W. $\frac{1}{4}$ INT EXT TOOTH (2)
10. 120375 NUT $\frac{1}{4}$ -20 HEX. (2)



5-30-72 651590 W4 641507

DATE CHANGES

CHECKER MOTORS CORP. KALAMAZOO, MICH.

EFFECTIVE OCT. 1, 1970

DWN. DEKASER
CHK. G.K.P.
APPVD.

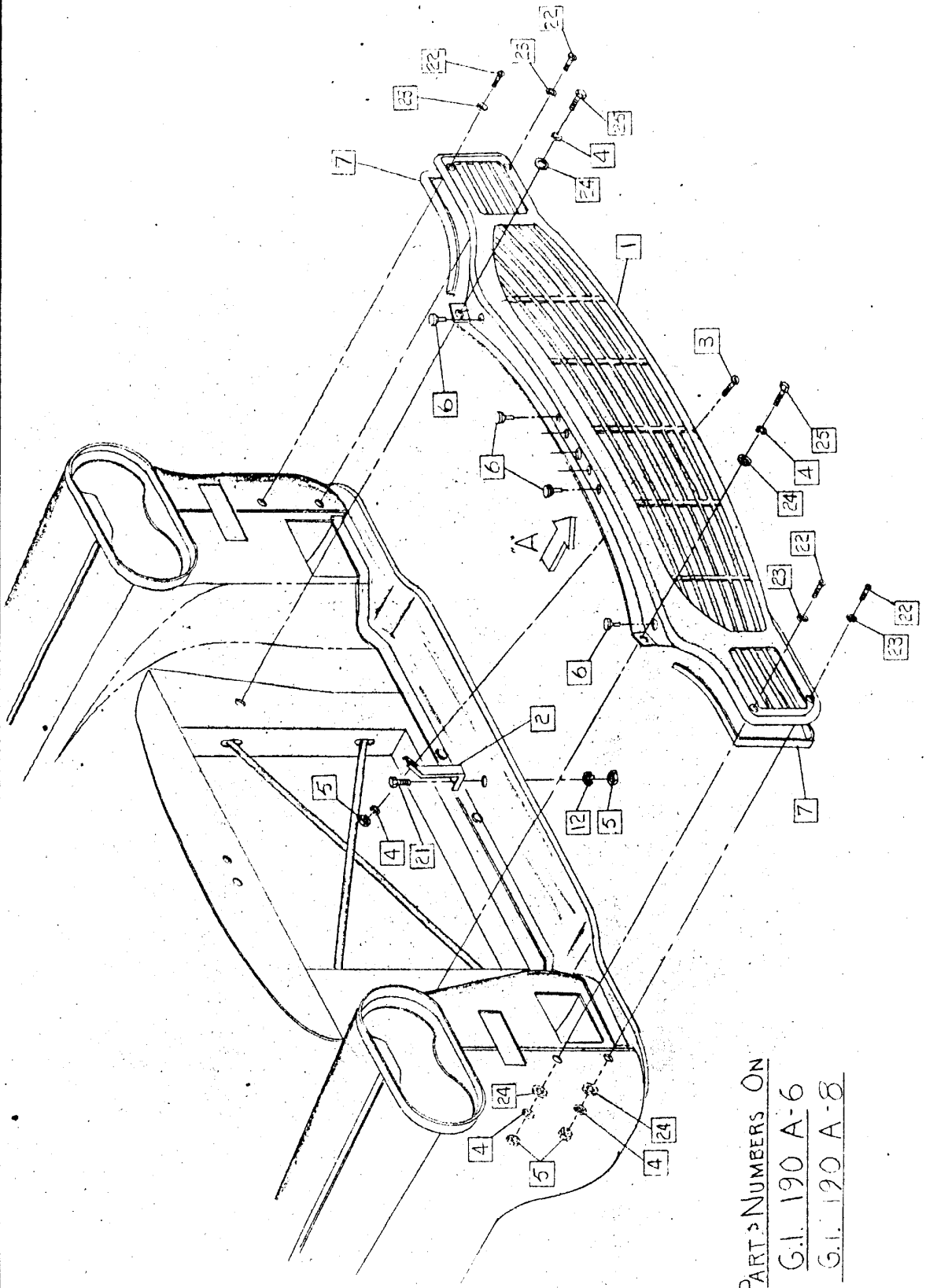
GRAPHIC ILLUSTRATION
FRONT END ASSEM. - GRILLE MTG.

DATE
9-23-69

A-12W-6

MODEL:
A-11
A-11E
A-12W

SHEET NO. 190 A-5



PART NUMBERS ON
G.I. 190 A-6
G.I. 190 A-8

CHECKER MOTORS CORP. KALAMAZOO, MICH.

EFFECTIVE OCT. 1, 1970

MODEL: A-12
A-11E A-12E A-12W8
A-11E A-12W

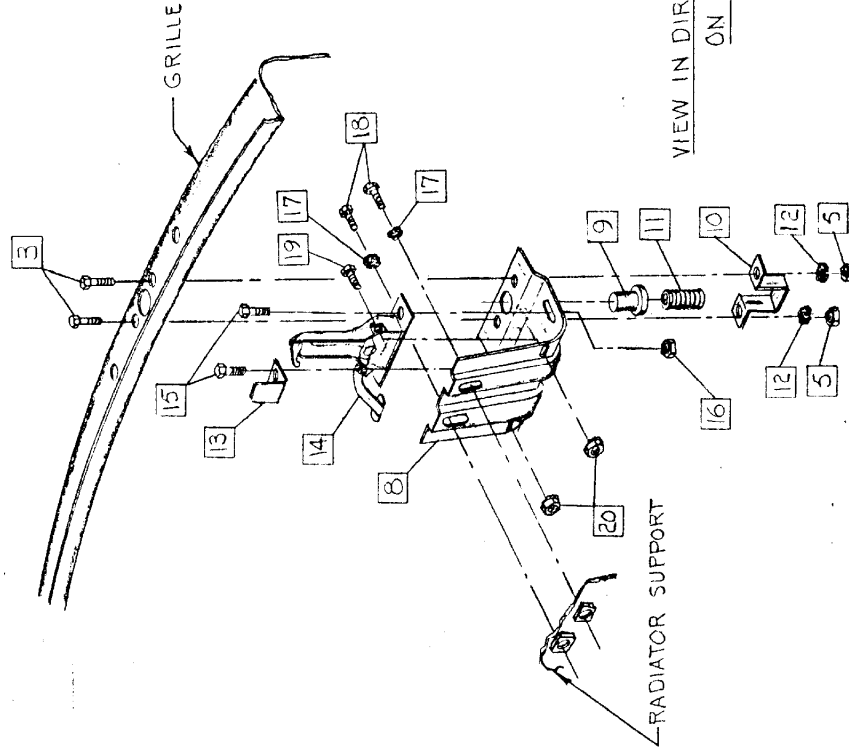
DATE
9-23-69

GRAPHIC ILLUSTRATION
FRONT END ASSEM. - GRILLE + HOOD LOCK

DWN. DEKKER
CHK. G.R.B.
SHEET NO. 190 A-6
APPVD.

CANCELLED SUPERCEDED BY G.I. 190 A-8

1. 644033 PANEL - GRILLE
2. 644034 BRACKET - GRILLE LOWER
3. 189129 SCREW $\frac{1}{4}$ -20 x $\frac{5}{16}$ TRUSS (3)
4. 120360 L.W. $\frac{1}{4}$ MED. SPRING (7)
5. 120375 NUT $\frac{1}{4}$ -20 HEX. (8)
6. 625242 BUMPER - HOOD (4)
7. 634125 GASKET (2)
8. 640564 BRACKET - HOOD LOCK MTG.
9. 640287 BUMPER
10. 640288 BRACKET - HOOD LOCK SPR. RELEASE
11. 640290 SPRING
12. 174916 L.W. $\frac{1}{4}$ - INT. EXT. TOOTH (3)
13. 642740 GUIDE - HOOD LOCK RELEASE LEVER
14. 639458 LOCK + REINF. ASSEM. - HOOD
15. 626480 SCREW + L.W. $\frac{5}{16}$ -18 x $\frac{3}{4}$ HEX. (2)
16. 273802 NUT $\frac{5}{16}$ -18 SERR. HEX. (3)
17. 138485 L.W. $\frac{5}{16}$ EXT. TOOTH. (2)
18. 181595 BOLT $\frac{5}{16}$ -24 x $\frac{3}{4}$ HEX. (2)
19. 274473 SCREW $\frac{1}{4}$ -20 x $\frac{5}{16}$ HEX. (2)
20. 271172 NUT + EXT. TOOTH L.W. ASSEM. (2)
21. 120854 BOLT $\frac{1}{4}$ -20 x $\frac{5}{8}$ HEX.
22. 626771 SCREW $\frac{1}{4}$ -20 x $1\frac{1}{2}$ OHCR (4)
23. 626826 WASHER $\frac{1}{4}$ ID. x $\frac{1}{2}$ O.D. (4)
24. 626322 WASHER $\frac{3}{16}$ ID. x $\frac{7}{8}$ O.D. (6)
25. 121900 BOLT $\frac{1}{4}$ -20 x 1 HEX. (2)
- 26.



CHECKER MOTORS CORP. KALAMAZOO, MICH.

EFFECTIVE OCT. 1, 1970

SHEET NO. 190 A-7

DWN. DEKES
CHK. GMB
APPVD.

GRAPHIC ILLUSTRATION
FRONT END ASSEM. - HEADLAMPS + PARK LIGHTS

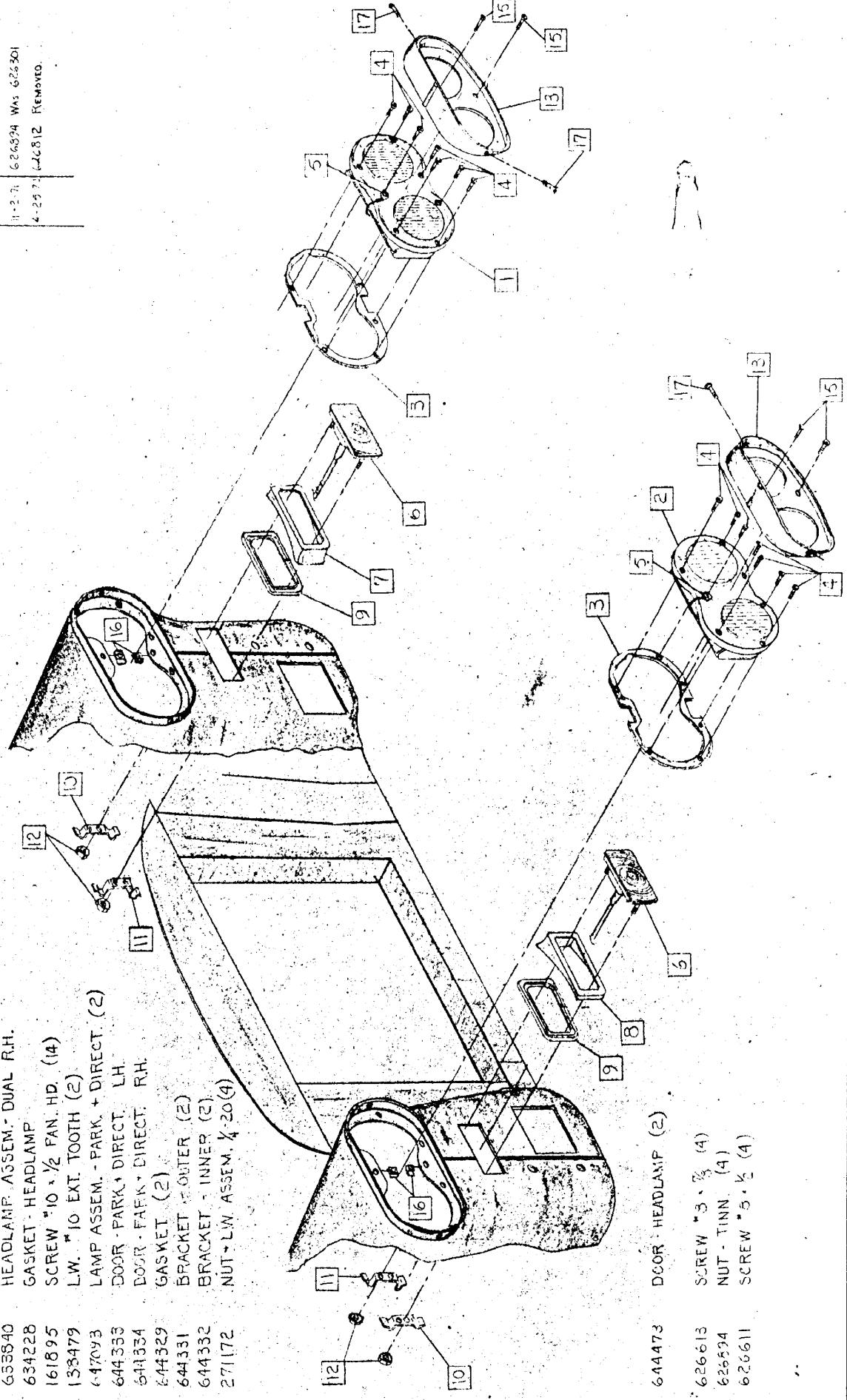
DATE
9-24-69

MODEL: A-12 A-12W8
A-11 A-12E A-12W8
A-11E A-12W

- 1. 653639 HEADLAMP ASSEM. - DUAL L.H.
- 2. 653640 HEADLAMP ASSEM. - DUAL R.H.
- 3. 634228 GASKET - HEADLAMP
- 4. 161695 SCREW "10 x 1/2 PAN. HD. (14)
- 5. 138479 L.W. "10 EXT. TOOTH (2)
- 6. 647093 LAMP ASSEM. - PARK. + DIRECT. (2)
- 7. 644353 DOOR - PARK. + DIRECT. LH.
- 8. 641334 DOOR - PARK. + DIRECT. RH.
- 9. 644329 GASKET (2)
- 10. 644331 BRACKET - OUTER (2)
- 11. 644332 BRACKET - INNER (2)
- 12. 271172 NUT - LW. ASSEM. 1/4-20(4)

- 13. 644473 DOOR - HEADLAMP (2)
- 14. SCREW "3 x 3/8 (4)
- 15. 626613 NUT - TINN. (4)
- 16. 626611 SCREW "5 x 1/2 (4)

CHANGES
11-2-71 626611 WAS 626301
4-29-71 644312 REMOVED.



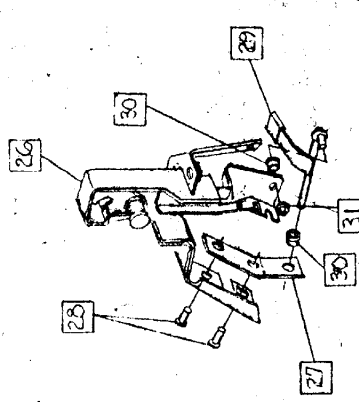
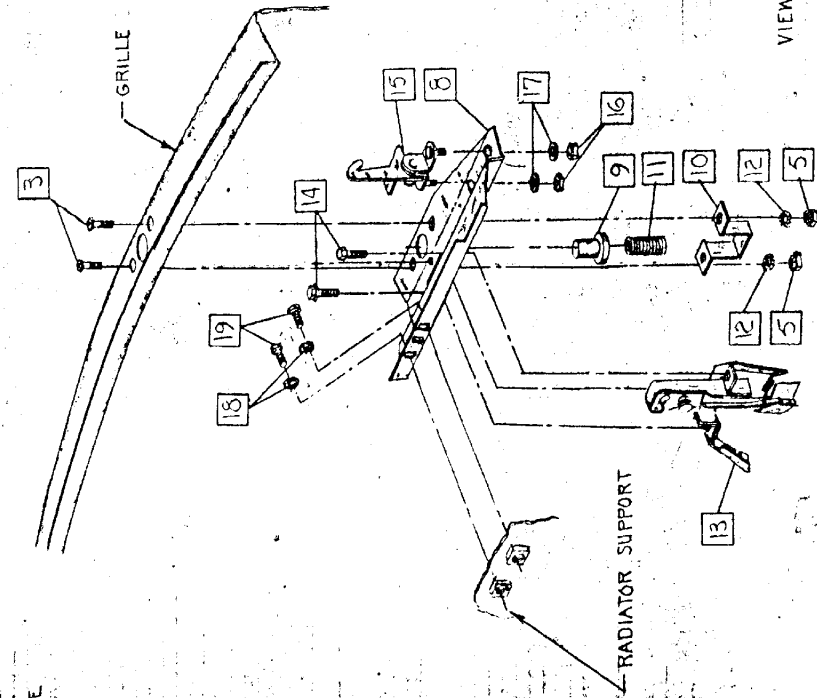
CHECKER MOTORS CORP. KALAMAZOO, MICH.

EFFECTIVE OCT 1, 1971

MODEL:	A-12	DATE	9-7-71
A-11	A-12WB		
A-11E	A-12W		
DWN. DESKEL		SHEET NO. 190 A-8	
CHK.		APPVD.	
FRONT END ASM. GRILLE + HOOD LOCK			

1.	DATE	CHANGES
644033	11-21-72	EXTENDED HOOD LATCH AND PARTS ADDED.
644034	1-13-73	651669 WAS 651615
189129	3-5-73	626916 WAS 112726

1. 644033 PANEL - GRILLE
2. 644034 BRACKET - GRILLE
3. 189129 SCREW 1/4-20 x 3/8 TRUSS (3)
4. 120380 L.W. 1/4 MED. SPRING (7)
5. 120375 NUT 1/4-20 HEX. (6)
6. 625242 BUMPER - HOOD (4)
7. 634125 GASKET (2)
8. 646417 PLATE - HOOD LOCK MTS.
9. 640287 BUMPER - HOOD LOCK SPRING RELEASE
10. 640288 BRACKET - HOOD LOCK SPRING RELEASE
11. 640290 SPRING - HOOD LOCK RELEASE
12. 174916 L.W. 1/4 INT. EXT. TOOTH (3)
13. 647668 LOCK + HANDLE ASM. - HOOD
14. 626480 SCREW + L.W. ASM. 3/16-18 x 3/4 (3)
15. 647667 LATCH ASM. - HOOD SAFETY
16. 273802 NUT 3/16-18 SERR. HEX. (2)
17. 446363 WASHER 3/16 ID. x 3/4 O.D. (2)
18. 158485 L.W. 3/16 EXT. TOOTH (2)
19. 181595 BOLT 1/4-20 x 3/4 HEX.
20. 120854 BOLT 1/4-20 x 3/8 HEX.
21. 626771 SCREW 1/4-20 x 1 1/2 OHC.R. (4)
22. 626826 WASHER 1/4 ID. x 1/2 O.D.
23. 626322 WASHER 3/16 ID. x 3/8 O.D. (6)
24. 121900 BOLT 1/4-20 x 1 HEX. (2)
25. 651620 LOCK ASM. - HOOD - SPECIAL
26. 646589 BRACKET - HOOD LOCK REL.
27. 626642 RIVET 3/16 B5-POB. (2)
28. 651669 ROD + LEVER ASM. - HOOD LOCK
29. 626908 BUSHING - HEYCO. (2)
30. 626916 NUT 1/4 SELF THREADING.
- 31.



VIEW IN DIRECTION OF ARROW 'A'
ON G.1 190 A-5