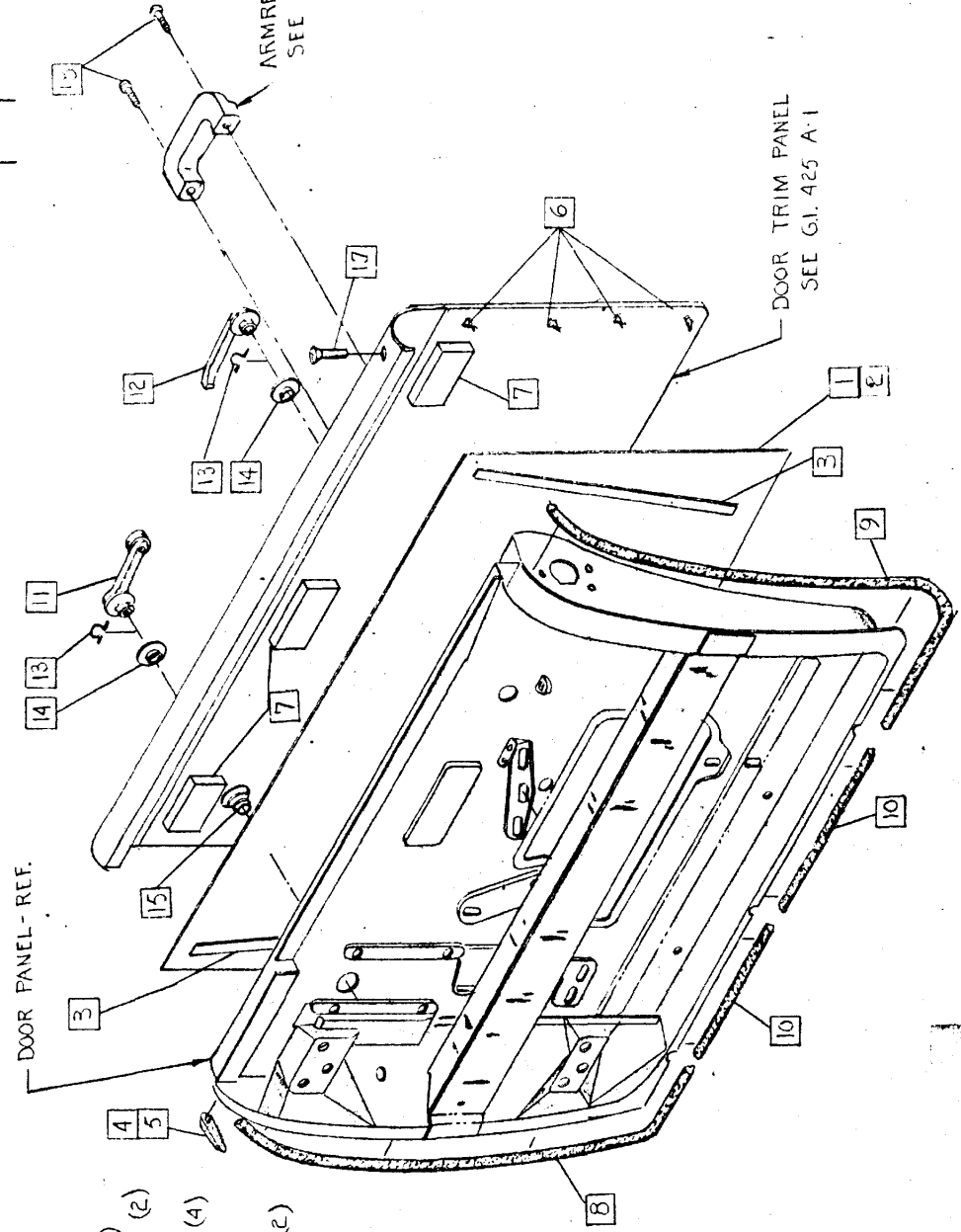


CHECKER MOTORS CORP. KALAMAZOO, MICH.

EFFECTIVE OCT 1, 1970

MODEL:	A-12	DATE	3-25-71
A-11	A-12WB		
A-11E	A-12W		
GRAPHIC ILLUSTRATION		SHEET NO. 130 A-2	
DOORS - FRONT LOWER		APPVD.	
DWN. DESK	CHK. 4-6-71	CHANGES	

- | DATE | CHANGES |
|----------|----------------------|
| 4-20-72 | 640190 REMOVED |
| 11-22-72 | Revised Per Memo 517 |
1. 640197 WATER DEFLECTOR - FRT. DOOR L.H.
 2. 640198 WATER DEFLECTOR - FRT. DOOR R.H.
 3. ML-104 SEALER (4)
 4. 640073 FILLER - DOOR INNER L.H.
 5. 640074 FILLER - DOOR INNER R.H.
 6. 636624 TRIM CLIP (22)
 7. 636011 SHIM (6)
 8. 634674 WEATHERSEAL (2)
 9. 634642 WEATHERSEAL (2)
 10. 634643 WEATHERSEAL (4)
 11. 645479 HANDLE ASM. - WIND. REG. (2)
 12. 639182 HANDLE ASM. - REMOTE CONT. (2)
 13. 640130 CLIP - HANDLE RETAINING (4)
 14. 640170 WASHER - INSIDE DOOR HANDLE (4)
 15. 640096 SPRING - DOOR HANDLE (2)
 16. 640199 KNOB - INSIDE DOOR LOCKING (2)
 18. 148045 SCREW 1/4-20 x 1 (4)



CHECKER MOTORS CORP. KALAMAZOO, MICH.

EFFECTIVE OCT 1, 1970

MODEL:
A-11
A-12E
A-12W

A-12
A-12E
A-12W

DATE
3-25-71

GRAPHIC ILLUSTRATION

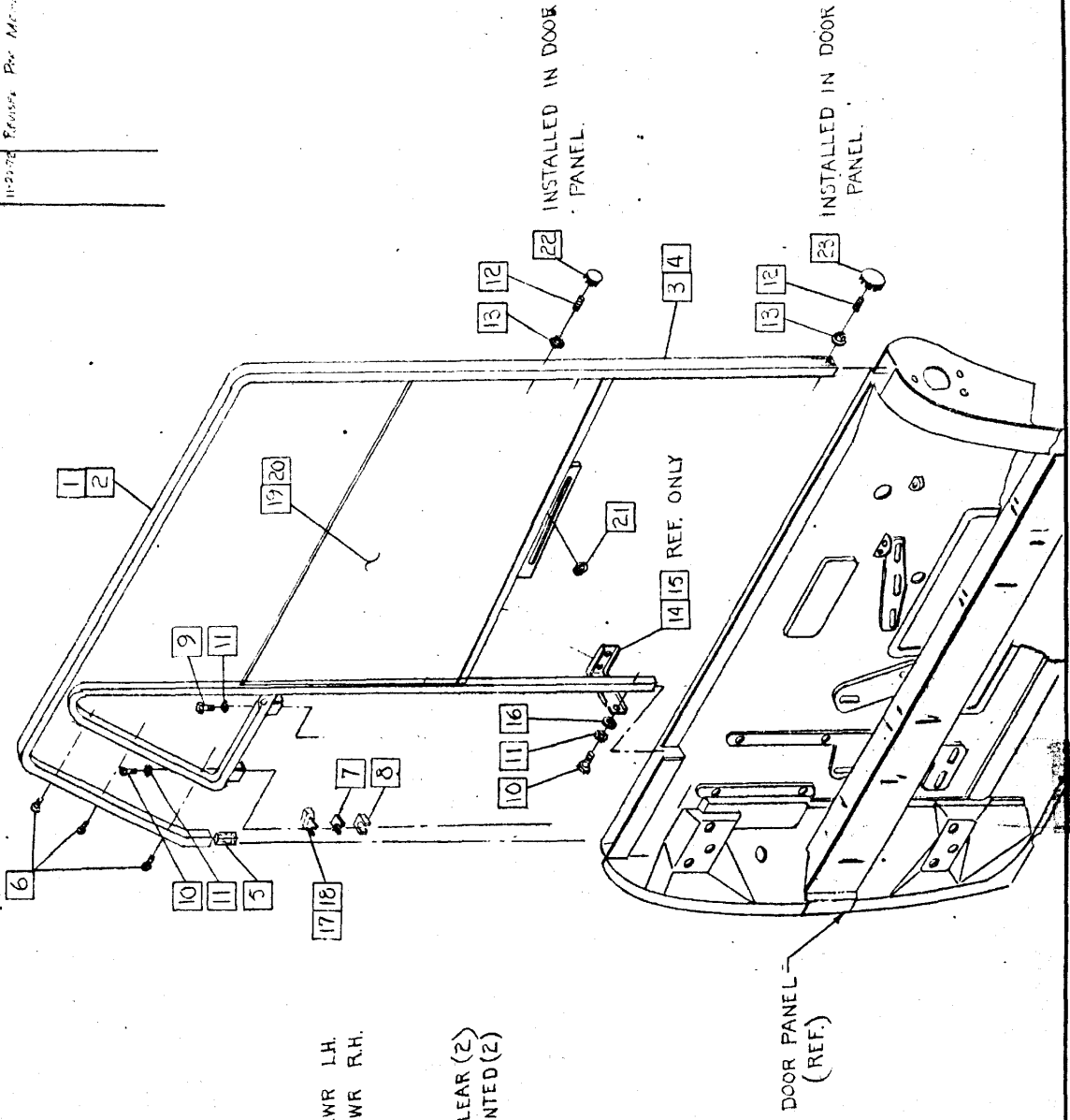
DWN. DEKKER
CHK. 6-4-6-71

SHEET NO. 130 A-3

DOORS - FRONT UPPER

APPVD.

1. 643207 FRAME ASM. - FRT. DOOR UPPER L.H.
2. 643208 FRAME ASM. - FRT. DOOR UPPER R.H.
3. 641201 VENT WINDOW ASM. - FRT. DOOR L.H.
4. 641202 VENT WINDOW ASM. - FRT. DOOR R.H.
5. 634698 SEAL - VENT WINDOW (2).
6. 626632 SCREW + LW. ASM. * 8-32 * 1/2 (6)
7. 630755 SHIM - FRT. DOOR VENT WINDOW (5)
8. 636340 SPACER 3/16 THK. (4)
9. 120706 BOLT 1/4-20 * 1/2 HEX (2)
10. 121587 BOLT 1/4-20 * 3/4 HEX (4)
11. 174916 LW. 1/4 INT. EXT. TOOTH (6)
12. 626630 SCREW 1/4-20 * 3/8 MF (4)
13. 626631 LOCK NUT 1/4-20 (4)
14. 631359 BRACKET ASM. - FRT. DOOR DIV. BAR LWR L.H.
15. 631360 BRACKET ASM. - FRT. DOOR DIV. BAR LWR R.H.
16. 626322 WASHER 3/16 ID. * 3/8 O.D. (2)
17. 641277 FILLER ASM. - FRT. DOOR TRIM. L.H.
18. 641278 FILLER ASM. - FRT. DOOR TRIM. R.H.
19. 633907 GLASS + CHANNEL ASM. - FRT. DOOR CLEAR (2)
20. 647132 GLASS + CHANNEL ASM. - FRT. DOOR TINTED (2)
21. 625932 RETAINER - WINDOW REG. STUD. (2)
22. 626786 CAPPLUG 3/8 DIA. (2)
23. 626757 CAPPLUG 1/4 DIA. (2)



11-21-70
ROSS
Rev. M.C. 11-17

CHECKER MOTORS CORP. KALAMAZOO, MICH.

EFFECTIVE OCT. 1, 1970

GRAPHIC ILLUSTRATION

DATE

4-6-71

MODEL:
A-12
A-12E
A-12W

A-12WB

SHEET NO. 130 A-4

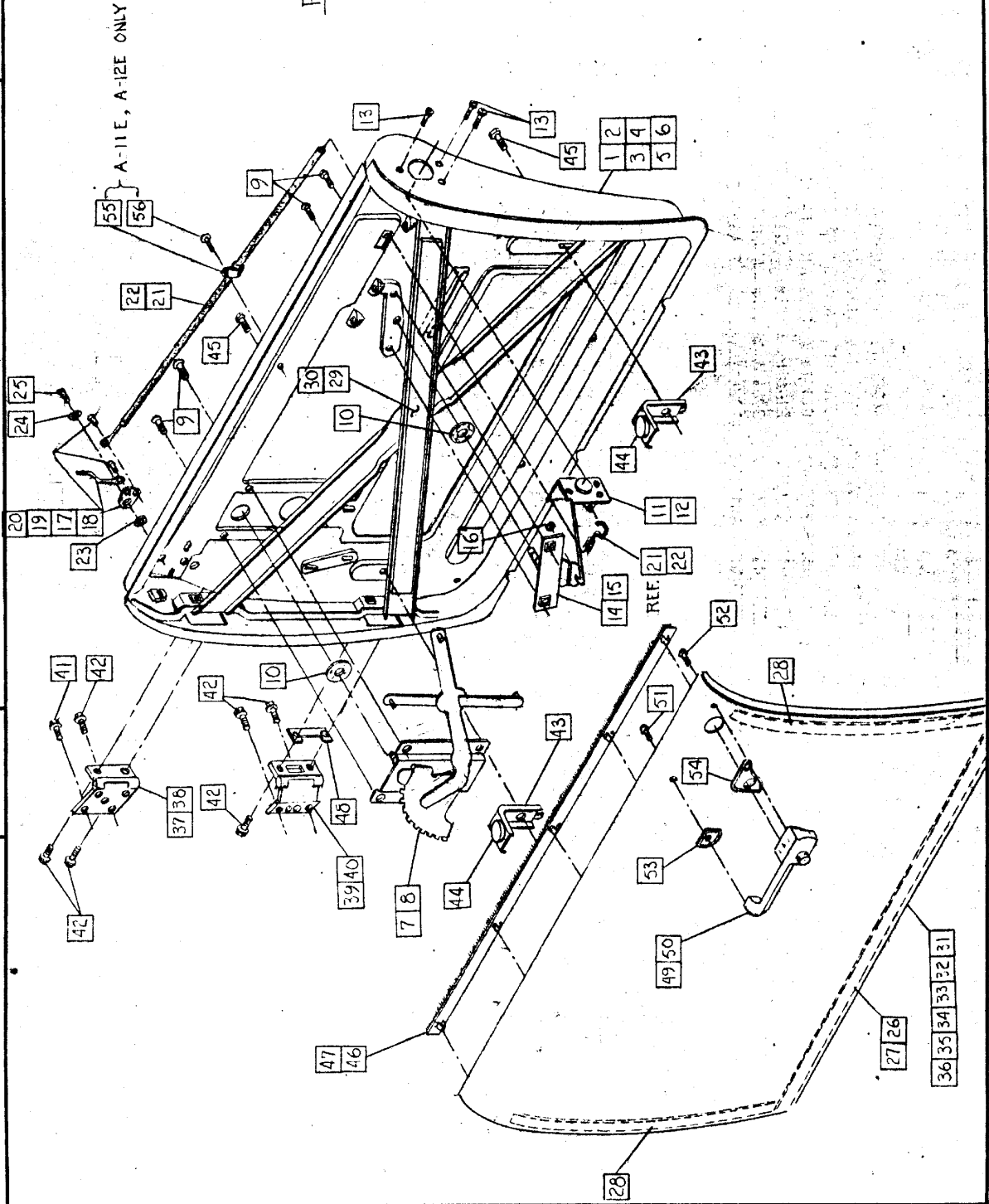
DWN. DEKLER

CHK. 24-7-71

APPVD.

DOORS - REAR AND CENTER

PART NUMBERS ON G.I. 130 A-5



EFFECTIVE OCT 1, 1970

CHECKER MOTORS CORP. KALAMAZOO, MICH.

MODEL: A-12
A-11
A-11E

A-12WB
A-12W

DATE

4-6-71

GRAPHIC ILLUSTRATION

DOORS - REAR AND CENTER

DWN. CHECKER
CHK. 8-27-71

SHEET NO. 130 A-5

APPVD.

1.	639061	PANEL ASM. - REAR DOOR INNER L.H.	41.	9416815	SCREW $\frac{3}{8}$ -24 \times $\frac{3}{4}$ HEX (2)
2.	639062	PANEL ASM. - REAR DOOR INNER R.H.	42.	626805	SCREW $\frac{3}{8}$ -24 \times 1 HEX (16)
3.	641139	DOOR ASM. - REAR INNER 129"WB. L.H.	43.	631325	BRACKET ASM. - WINDOW STOP (4)
4.	641140	DOOR ASM. - REAR INNER 129"WB R.H.	44.	622702	BUMPER - RUBBER (4)
5.	639587	PANEL ASM. - CENTER DOOR INNER L.H. 189"WB.	45.	626449	SCREW + EXT. TOOTH LW. ASM. $\frac{1}{4}$ -20 \times $\frac{1}{2}$ (4)
6.	639808	PANEL ASM. - CENTER DOOR INNER R.H. 189"WB.	46.	633134	WEATHERSTRIP ASM. - REAR DOOR WINDOW OUTER (2)
7.	639067	REGULATOR ASM. - REAR DOOR L.H.	47.	641149	WEATHERSTRIP ASM. - REAR DOOR WINDOW OUTER (2) 129"WB.
8.	639068	REGULATOR ASM. - REAR DOOR R.H.	48.	640445	SHIM - REAR DOOR LOWER (AS NEEDED)
9.	187987	SCREW + EXT. TOOTH LW. ASM. $\frac{1}{2}$ -24 \times $\frac{1}{4}$ (12)	49.	631369	HANDLE ASM. - DOOR LOCK L.H.
10.	642869	SEAL - DOOR REG. (4)	50.	631370	HANDLE ASM. - DOOR LOCK R.H.
11.	645409	LOCK + ROD ASM. - REAR DOOR L.H.	51.	444271	SCREW + EXT. TOOTH LW. $\frac{1}{8}$ -10 \times $\frac{3}{8}$ (2)
12.	645410	LOCK + ROD ASM. - REAR DOOR R.H.	52.	455164	SCREW + LW. ASM. $\frac{1}{8}$ -10-32 \times $\frac{3}{4}$ (2)
13.	445638	SCREW + EXT. TOOTH LW. ASM. $\frac{1}{2}$ -24 \times $\frac{1}{2}$ (6)	53.	630491	GASKET - DOOR HANDLE - REAR (2)
14.	639161	CONTROL ASM. - DOOR REMOTE L.H.	54.	630492	GASKET - DOOR HANDLE - FRT. (2)
15.	639162	CONTROL ASM. - DOOR REMOTE R.H.	55.	626858	CLAMP - NYLON $\frac{3}{8}$
16.	626485	NUT $\frac{3}{8}$ SELF THREADING (2)	56.	626456	SCREW + WASH. ASM. - $\frac{3}{8}$ \times $\frac{3}{4}$
17.	641311	BELLCRANK ASM. L.H.			
18.	641312	BELLCRANK ASM. R.H.			
19.	641147	BELLCRANK ASM. L.H. 129"WB.			
20.	641148	BELLCRANK ASM. R.H. 129"WB.			
21.	640040	TUBING C-95 NYTEX 26" LG. (2)			
22.	642219	TUBING C-95 NYTEX 35" LG. (2) 129"WB.			
23.	640083	WASHER - BELLCRANK CUP (2)			
24.	626356	WASHER - WAVE (2)			
25.	640084	SCREW - BELLCRANK SHOULDER (2)			
26.	640434	FILLER - DOOR BOTTOM. (2)			
27.	642169	FILLER - DOOR BOTTOM. (2) 129"WB.			
28.	640432	FILLER - DOOR SIDE (4)			
29.	645719	DEADENER ASM. - REAR (2)			
30.	645709	DEADENER ASM. - REAR (2) 129"WB.			
31.	634239	PANEL - REAR DOOR OUTER L.H.			
32.	634240	PANEL - REAR DOOR OUTER R.H.			
33.	642163	PANEL - REAR DOOR OUTER L.H. 129"WB			
34.	642164	PANEL - REAR DOOR OUTER R.H. 129"WB.			
35.	640683	PANEL - CENTER DOOR OUTER L.H. 189"WB.			
36.	640684	PANEL - CENTER DOOR OUTER R.H. 189"WB.			
37.	645633	HINGE ASM. - REAR DOOR UPPER L.H.			
38.	645634	HINGE ASM. - REAR DOOR UPPER R.H.			
39.	645919	HINGE ASM. - REAR DOOR LOWER L.H.			
40.	645920	HINGE ASM. - REAR DOOR LOWER R.H.			

4 25 72 626858, 626456 ADDED
2-10-72 640445 Ws. 640453

DATE CHANGES

CHECKER MOTORS CORP. KALAMAZOO, MICH.

EFFECTIVE OCT 1, 1970

SHEET NO. 130 A-6

DWN. DESIGNER
CHK. 4-7-71

APPVD.

GRAPHIC ILLUSTRATION

DOORS - REAR AND CENTER

DATE

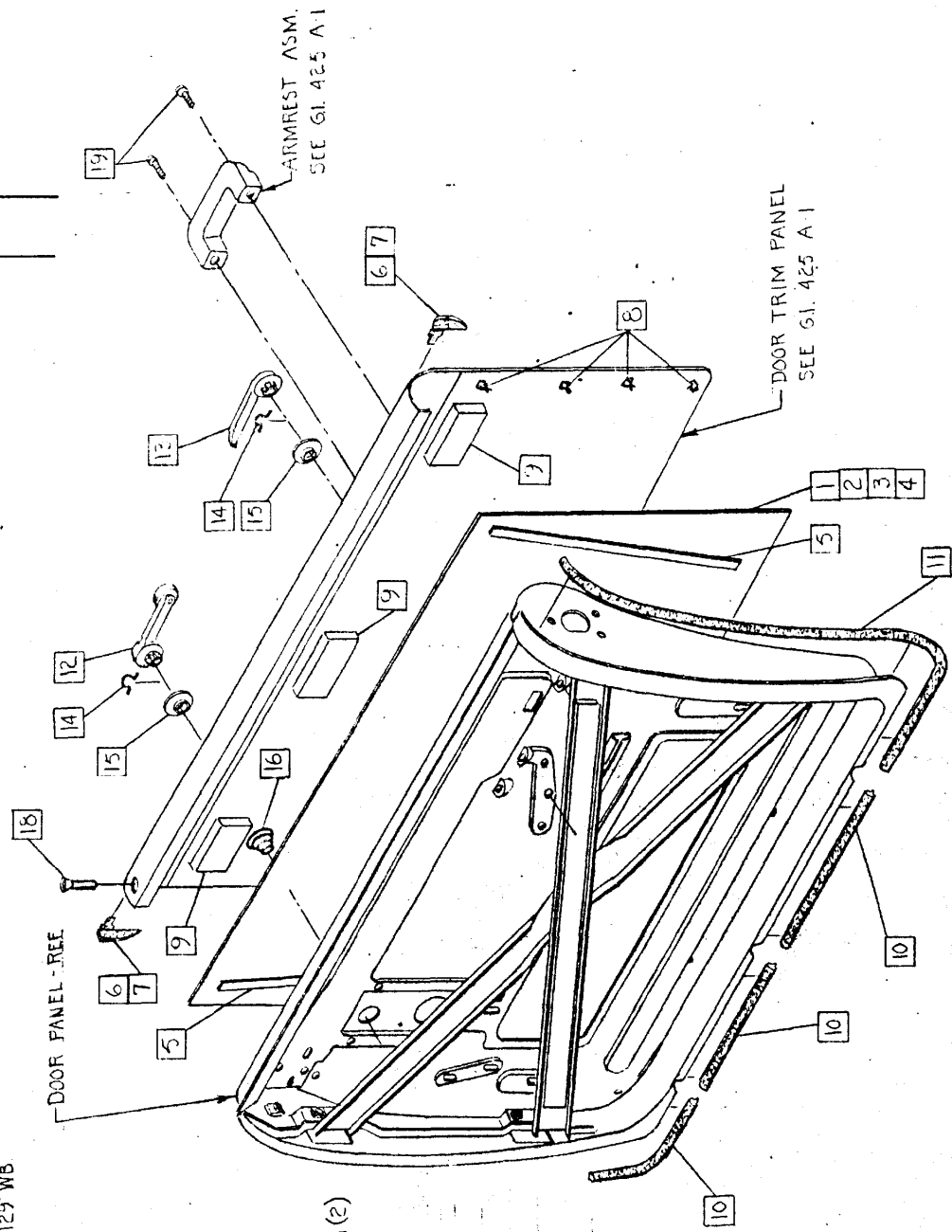
4-6-71

A-12

A-12WB

A-12W

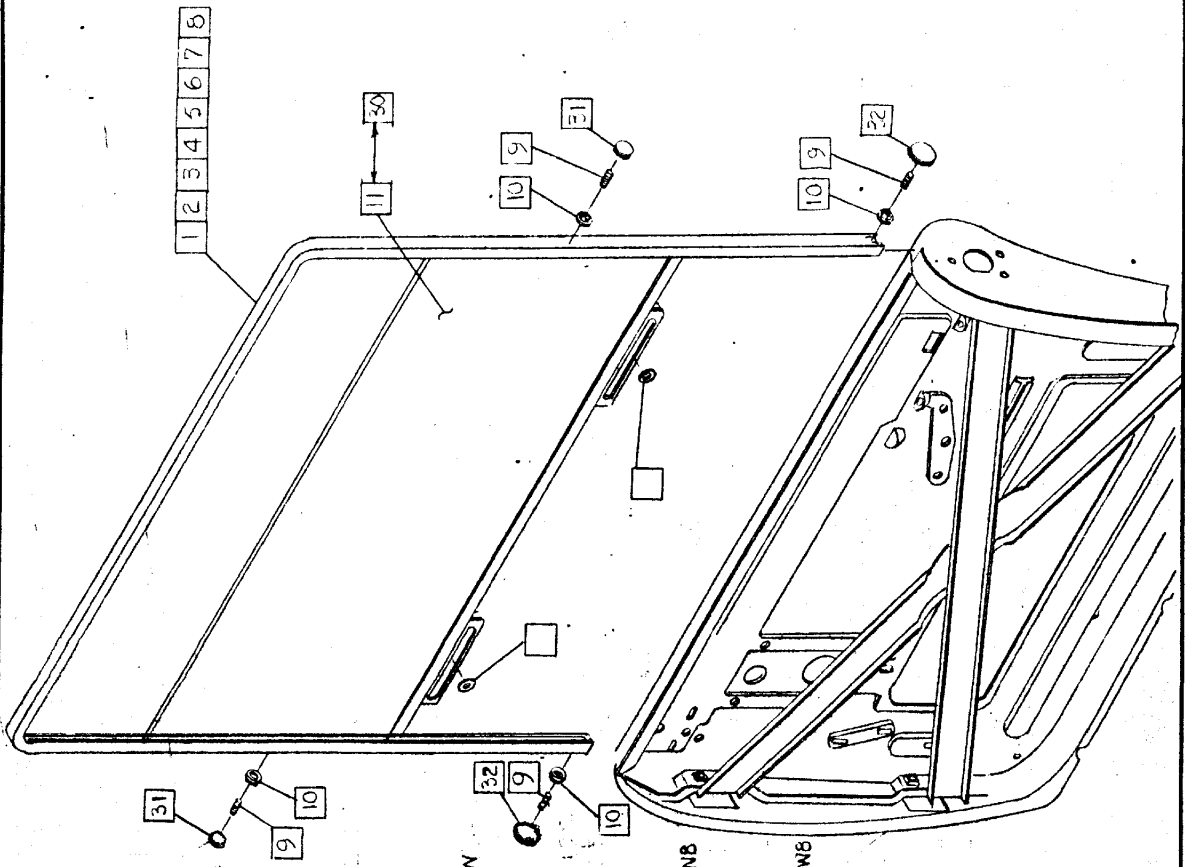
1. 640243 WATER DEFLECTOR - REAR DOOR L.H.
2. 640244 WATER DEFLECTOR - REAR DOOR R.H.
3. 642177 WATER DEFLECTOR - REAR DOOR L.H. 129" W.B.
4. 642178 WATER DEFLECTOR - REAR DOOR R.H. 129" W.B.
5. SEALER 30" LG. (4)
6. 640073 FILLER - DOOR INNER L.H. (2)
7. 640074 FILLER - DOOR INNER R.H. (2)
8. 626624 TRIM CLIP (20)
9. 636011 SHIM (6)
10. 634693 WEATHERSEAL (3)
11. 634642 WEATHERSEAL (2)
12. 645479 HANDLE ASM. - WINDOW REG. (2)
13. 639182 HANDLE ASM. - REMOTE CONTROL (2)
14. 640130 CLIP - HANDLE RETAINING (4)
15. 640170 WASHER - INSIDE DOOR HANDLE (4)
16. 640096 SPRING - INSIDE DOOR HANDLE TENSION (2)
17. 640199 KNOB - INSIDE DOOR LOCKING (2)
18. 156351 SCREW 1/4-20 x 2 (4)



DATE	CHANGE
4-26-72	640199 REMOVED

GRAPHIC ILLUSTRATION
DOORS - REAR AND CENTER

MODEL:	DATE
A-11	4-7-71
A-12E	
A-12W	



1. 643209 FRAME ASM. - REAR DOOR UPPER L.H.
2. 645210 FRAME ASM. - REAR DOOR UPPER R.H.
3. 643211 FRAME ASM. - REAR DOOR UPPER L.H. 129"W.B.
4. 643212 FRAME ASM. - REAR DOOR UPPER R.H. 129"W.B.
5. 643511 FRAME ASM. - REAR DOOR UPPER L.H. (A-12W, A-12WB)
6. 643512 FRAME ASM. - REAR DOOR UPPER R.H. (A-12W, A-12WB)
7. 643509 FRAME ASM. - CENTER DOOR UPPER L.H. 189"W.B.
8. 643510 FRAME ASM. - CENTER DOOR UPPER R.H. 189"W.B.
9. 626630 SCREW 1/4 - 20 x 3/8 HEADLESS (8)
10. 626631 NUT 1/4 - 20 WHIZ (8)
11. 633905 GLASS * CHANNEL ASM. - REAR DOOR L.H. A-11
12. 633906 GLASS * CHANNEL ASM. - REAR DOOR R.H. A-12
13. 647133 GLASS * CHANNEL ASM. - REAR DOOR L.H. TINT. A-12
14. 647134 GLASS * CHANNEL ASM. - REAR DOOR R.H. TINT. A-12
15. 635095 GLASS * CHANNEL ASM. - REAR DOOR L.H. A-12W
16. 635096 GLASS * CHANNEL ASM. - REAR DOOR R.H. A-12W
17. 643749 GLASS * CHANNEL ASM. - REAR DOOR L.H. TINT. A-12E
18. 643750 GLASS * CHANNEL ASM. - REAR DOOR R.H. TINT. A-12E
19. 641153 GLASS * CHANNEL ASM. - REAR DOOR L.H. A-12WB
20. 641154 GLASS * CHANNEL ASM. - REAR DOOR R.H. A-12WB
21. 647135 GLASS * CHANNEL ASM. - REAR DOOR L.H. TINT. A-12E
22. 647136 GLASS * CHANNEL ASM. - REAR DOOR R.H. TINT. A-12E
23. 635377 GLASS * CHANNEL ASM. - REAR DOOR L.H. A-12WB
24. 635378 GLASS * CHANNEL ASM. - REAR DOOR R.H. A-12WB
25. 643743 GLASS * CHANNEL ASM. - REAR DOOR L.H. TINT. A-12WB
26. 643744 GLASS * CHANNEL ASM. - REAR DOOR R.H. TINT. A-12WB
27. 635485 GLASS * CHANNEL ASM. - CENTER DOOR L.H. A-12WB
28. 635486 GLASS * CHANNEL ASM. - CENTER DOOR R.H. A-12WB
29. 643741 GLASS * CHANNEL ASM. - CENTER DOOR L.H. TINT. A-12WB
30. 643742 GLASS * CHANNEL ASM. - CENTER DOOR R.H. TINT. A-12WB
31. 626786 CAPPLUG 3/8 DIA. (4)
32. 626787 CAPPLUG 1/4 DIA. (4)

CHECKER MOTORS CORP. KALAMAZOO, MICH.

EFFECTIVE OCT 1, 1961

MODEL:
A-11
A-11E

DATE
12-5-69

GRAPHIC ILLUSTRATION

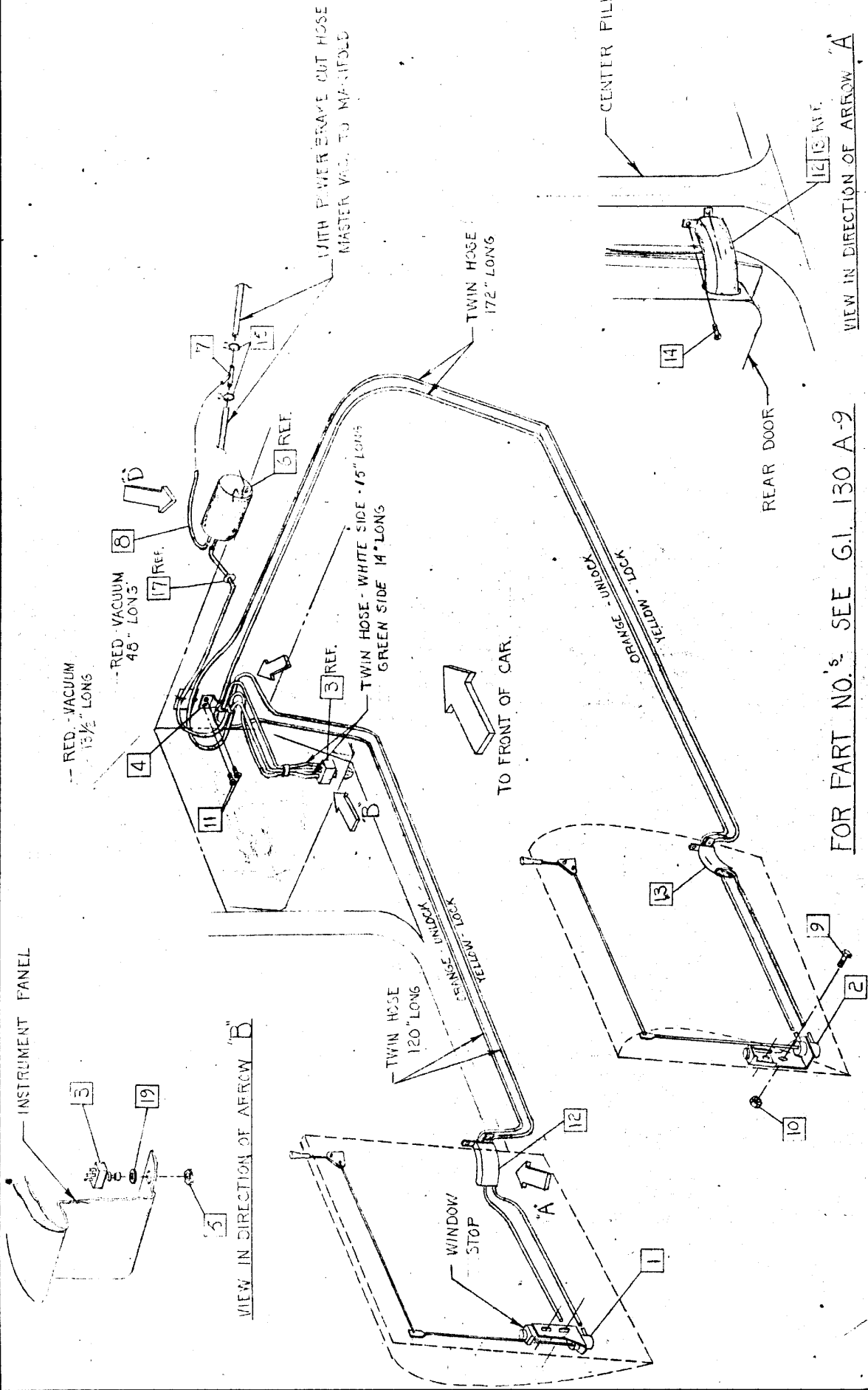
DOOR LOCKS - POWER

DWN. DICKER

CHK. *[Signature]*

SHEET NO. 130 A-8

APPVD.



CHECKER MOTORS CORP. KALAMAZOO, MICH.

EFFECTIVE OCT. 1, 1969

GRAPHIC ILLUSTRATION

DWN. DRAWN
CHK. *[Signature]*

SHEET NO. 130 A-9

DOOR LOCKS - FOWER

DATE

12-8-69

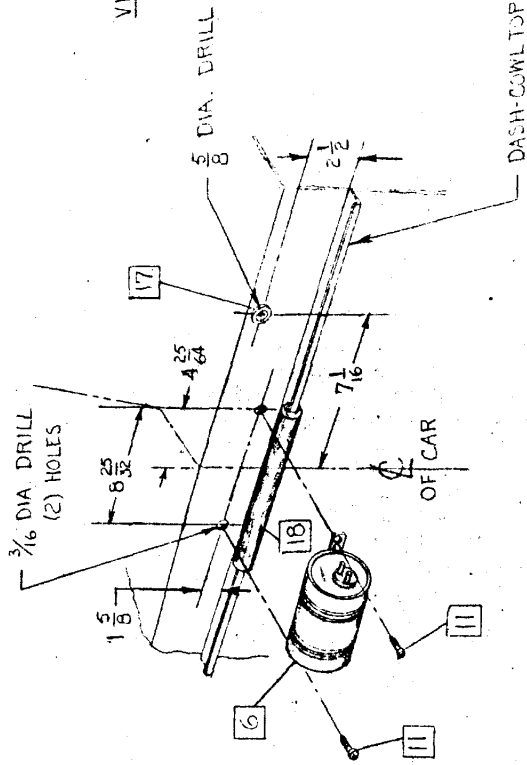
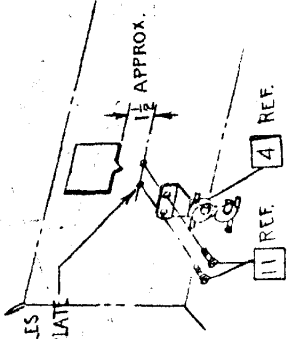
MODEL:

A-11
A-11E

APPVD.

1. 647687 POWER UNIT + BRKT. L.H.
2. 647688 POWER UNIT + BRKT. R.H.
3. 639579 SELECTOR VALVE
4. 643859 HARNESS + REMOTE VALVE
5. 640346 NUT
6. 639581 VACUUM TANK + BRKT. CONNECTOR
7. 644007 HOSE
8. 646410 SCREW + LW. 1/4 - 20 x 1/2 HEX. (2)
9. 626449 NUT 1/4 - 20 HEX (2)
10. 120375 SCREW 12 - 24 TAN HD. (4)
11. 647717 CONDUIT L.H.
12. 647718 CONDUIT R.H.
13. 164349 SCREW #8 - 32 x 1/4 (4)
14. 272346 CLAMP (2)
15. 626634 GROMMET
16. 644237 INSULATOR
17. 120396 WASHER 1/32 ID. x 1 1/4 O.D.

3/16 DIA. DRILL (2) HOLES
USE VALVE AS TEMPLATE



VIEW IN DIRECTION OF ARROW "D"

DATE	REVISION	DESCRIPTION
1-29-73	704715	REMOVED
11-8-72	120396	ADDED
9-23-71	646410	WAS 640348
4-15-71	647717	647718 WERE 640053 + 54
		VALVE REDESIGNED
4-8-71	647687 + 88	WERE 639577 + 78
4-1-70	734715	WAS 626767
2-19-70	644237	INSULATOR ADDED

CHANGES

CHECKER MOTORS CORP. KALAMAZOO, MICH.

EFFECTIVE OCT. 1, 1969

SHEET NO. 130 A-10

DWN. DEKKER
CHK. G. K. R.

GRAPHIC ILLUSTRATION

170° REAR DOOR HINGES WITH PWR DOOR LOCKS

MODEL:	B-11	B-11E	DATE
	B-12	B-12E	1-29-69

1. 643903 HINGE ASSEM. - REAR DOOR - UPPER L.H.
2. 643905 HINGE ASSEM. - REAR DOOR - LOWER L.H.
3. 643904 HINGE ASSEM. - REAR DOOR - UPPER R.H.
4. 643906 HINGE ASSEM. - REAR DOOR - LOWER R.H.
5. 644059 SPACER - REAR DOOR UPPER (2)
6. 644060 SRACER - REAR DOOR LOWER (2)
7. 178433 SCREW $\frac{3}{16}$ -24 x $1\frac{1}{2}$ F.H.CR. (4)
8. 120214 L.W. $\frac{1}{16}$ MED. SPRING (4)
9. 120368 NUT $\frac{1}{16}$ -24 HEX. (4)
10. 626558 PLUG $\frac{3}{4}$ HOLE (4)
11. 626505 SCR. * L.W. ASSEM. $\frac{3}{8}$ -24 x 1 (16)
12. 644146 COVER (4)
13. 163158 SCREW #8 x $\frac{3}{8}$ PAN.HD. (16)
14. 644150 SHIM (AS REQ'D)
15. 145173 SCREW #4 x $\frac{1}{4}$ (6)
16. 626535 CLIP - OPEN $\frac{1}{32}$ BOLT HOLE (6)
17. 626456 SCR. + L.W. ASSEM. #8 x $\frac{3}{4}$ (12)
18. 640170 WASHER - INSIDE DOOR HANDLE (4)
19. HOSE - SUPPLIED IN KIT
20. ARMOR PLATE FLEX. AIR LINE

