

CHECKER MOTORS CORP. KALAMAZOO, MICH.

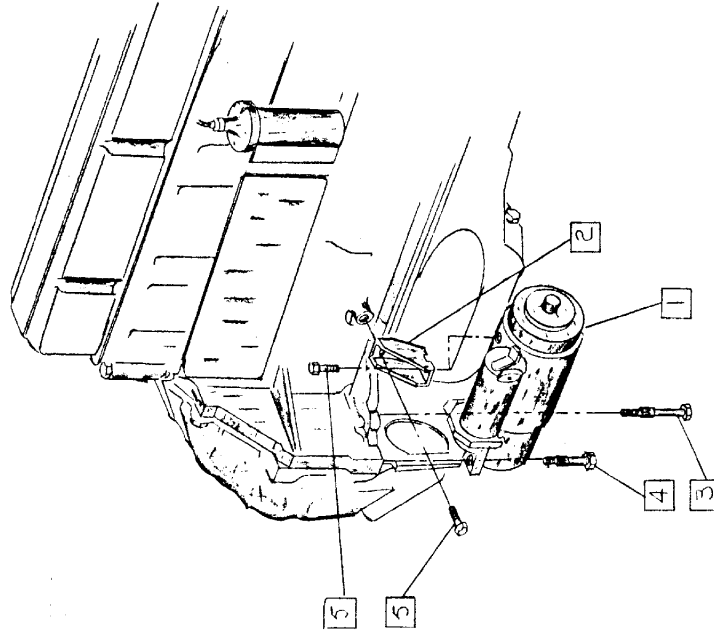
EFFECTIVE OCT 1, 1970

DWN. DEKKER
CHK. 8/9-22-70
SHEET NO. 360 A-1
APPVD.

GRAPHIC ILLUSTRATION
STARTING MOTOR - MOUNTING - 6 CYL.

| MODEL: | DATE |
|---------|---------|
| B-112 | 9-21-70 |
| B-112 E | |
| B-11E | |
| B-11E W | |

- 1. 701948 MOTOR ASM. START - 6 CYL.
- 2. 702201 BRACE - STARTING MOTOR
- 3. 702202 BOLT $\frac{3}{8}$ -16 x 4 $\frac{3}{4}$ HEX. W/HD.
- 4. 702203 BOLT $\frac{3}{8}$ -16 x 1 $\frac{3}{32}$ HEX W/HD.
- 5. 273867 SCREW $\frac{3}{16}$ -18 x $\frac{1}{2}$ HEX SER. W/HD.



CANCELLED SUPERSEDED BY G.I. 360 A-3

CHECKER MOTORS CORP. KALAMAZOO, MICH.

EFFECTIVE OCT. 1, 1970

| | | | |
|------------------------------------|-------|---------|--------|
| MODEL: B-12 | | DATE | APPVD. |
| B-11E | B-12E | 2-11-71 | |
| B-11E | B-12W | | |
| GRAPHIC ILLUSTRATION | | | |
| STARTING MOTOR - MOUNTING - 8 CYL. | | | |

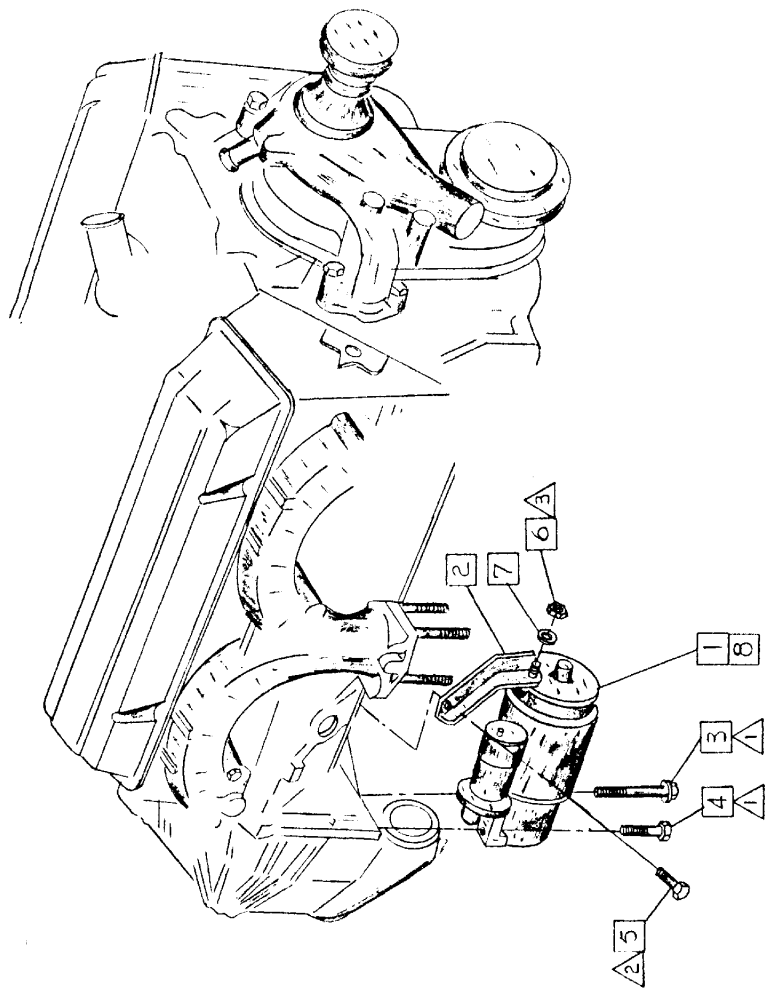
DWN. DEKKER
CHK. P. 24-5 -71

SHEET NO. 360 A-2

| DATE | CHANGES |
|---------|----------------|
| 9-24-72 | 703490 REMOVED |

1. 701951 MOTOR ASM. - STARTING
2. 702204 BRACE - STARTING MOTOR
3. 702202 BOLT $\frac{3}{8}$ -16 x 4 $\frac{2}{32}$ HEX W/HD.
4. 702203 BOLT $\frac{3}{8}$ -16 x 1 $\frac{27}{32}$ HEX. W/HD.
5. 273867 SCREW $\frac{3}{16}$ -18 x $\frac{1}{2}$ HEX SERR. W/HD.
6. 98446 NUT $\frac{1}{4}$ -20
7. 120392 WASHER $\frac{3}{32}$ I.D. x $\frac{5}{8}$ O.D.

- △ 30 - 40 LBS. FT. TORQUE
- △ 15 - 20 LBS. FT. TORQUE
- △ 5 - 6 LBS. FT. TORQUE



CANCELLED SUPERSEDED BY G.I. 360 A-4

CHECKER MOTORS CORP. KALAMAZOO, MICH.

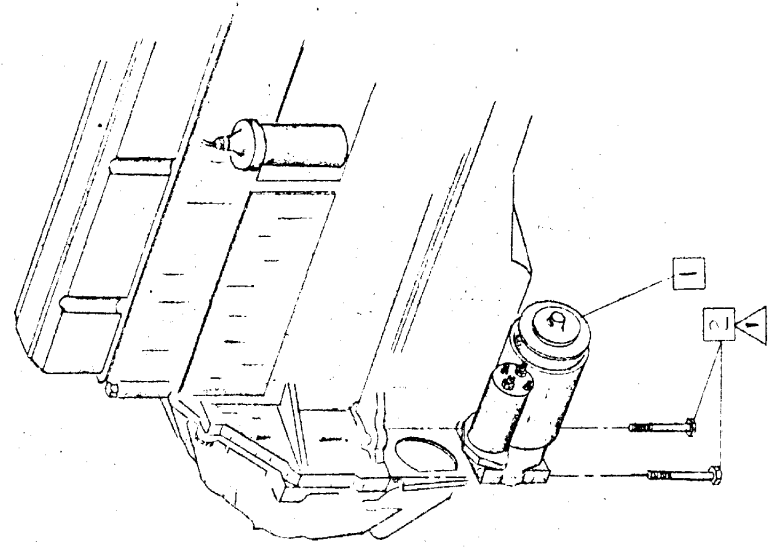
DWN. *Dr. [unclear]*
 CHK. *1-3-73*
 SHEET NO. 360 A-3
 APPVD. SUPERCEDES 51 360 A-1 PER MENG #322

GRAPHIC ILLUSTRATION
 STARTING MOTOR MOUNTING - 6 CYL. HYDRAMATIC -

MODEL: B-12
 B-11E
 B-12W
 DATE: 11-20-72

- 1. 705222 MOTOR ASM. - STARTING 6 CYL.
- 2. 702202 BOLT 3/4-16 x 4 1/2 HEX. W/HD (2)

| DATE | CHANGES |
|------|---------|
| | |



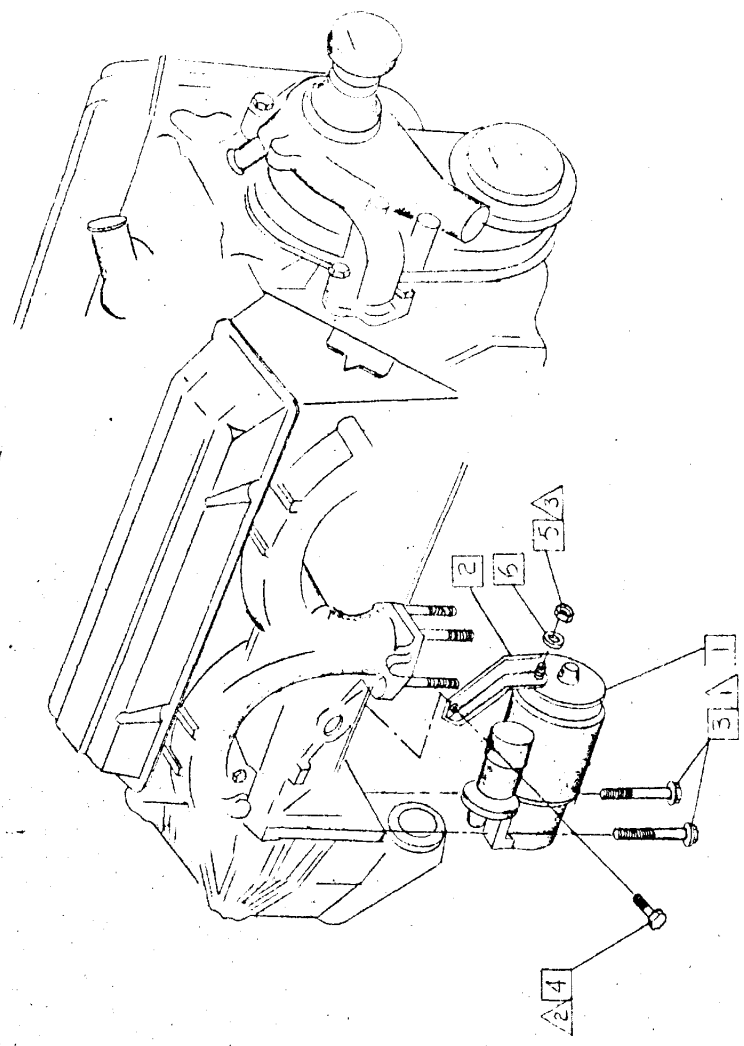
▲ 30-40 LBS FT TORQUE

CHECKER MOTORS CORP. KALAMAZOO, MICH.

| | | | | | | | |
|--------|-------|--------|----------|---|--|--|--|
| MODEL: | | DATE | | GRAPHIC ILLUSTRATION | | SHEET NO. 360 A 4 | |
| B-11 | B-12 | B-12W8 | 11-13-22 | STARTING MOTOR - MOUNTING & CYL. HYDRAMATIC | | CHK. BY 2-3-23 | |
| B-11E | B-12E | B-12W | | MOTOR ASM. - STARTING & CYL. | | APPVD. SUPERVISOR G.I. 360A 2 PER MEMO # 326 | |

| DATE | CHANGES |
|------|---------|
| | |
| | |

- 1. MOTOR ASM. - STARTING & CYL.
- 2. BRACE - STARTING MOTOR
- 3. BOLT $\frac{3}{8}$ 16 x 4 $\frac{1}{2}$ HEX. W/HD.
- 4. SCREW $\frac{3}{16}$ 18 x $\frac{1}{2}$ HEX. SER3. W/HD.
- 5. NUT $\frac{1}{4}$ 20 HEX.
- 6. WASHER $\frac{1}{2}$ ID. x $\frac{3}{8}$ OD.



- ① 30 - 40 LBS. FT. TORQUE
- ② 15 - 20 LBS. FT. TORQUE
- ③ 5 - 6 LBS. FT. TORQUE