

EFFECTIVE OCT 1, 1970

CHECKER MOTORS CORP. KALAMAZOO, MICH.

MODEL:

A-11  
A-12E  
A-12

DATE

9-11-70

GRAPHIC ILLUSTRATION

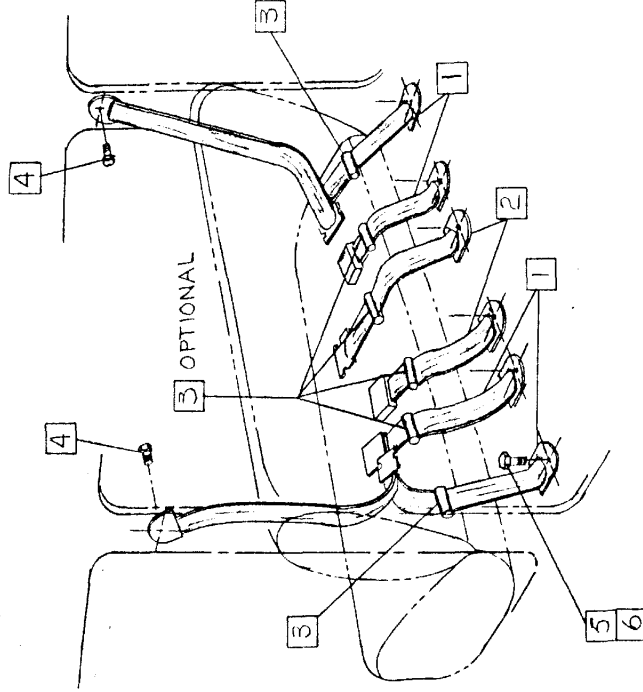
SEAT BELTS - FRONT

DWN. DEKKER  
CHK. G.K.B.

SHEET NO. 314 A-1

APPVD.

- 1. 645801 HARNESS ASSEM. - FRT. SEAT (2)
- 2. 645799 BELT ASSEM. - FRT. SEAT (1)
- 3. 643051 RETRACTOR ASSEM - (2) REQ'D, (4) OPTIONAL
- 4. 644301 BOLT - SEAT BELT ANCHOR SHORT (2) REQ'D ALL MODELS
- 5. 644301 BOLT - SEAT BELT ANCHOR SHORT (6) REQ'D A-11, A-11E, A-12W8
- 6. 644300 BOLT - SEAT BELT ANCHOR LONG (6) REQ'D A-12, A-12E, A-12W



CANCELLED SUPERCEDED BY G.I. 314 A-5

CHECKER MOTORS CORP. KALAMAZOO, MICH.

EFFECTIVE OCT. 1, 1970

MODEL: A-11E  
A-11 A-12E  
A-12

DATE  
9-11-70

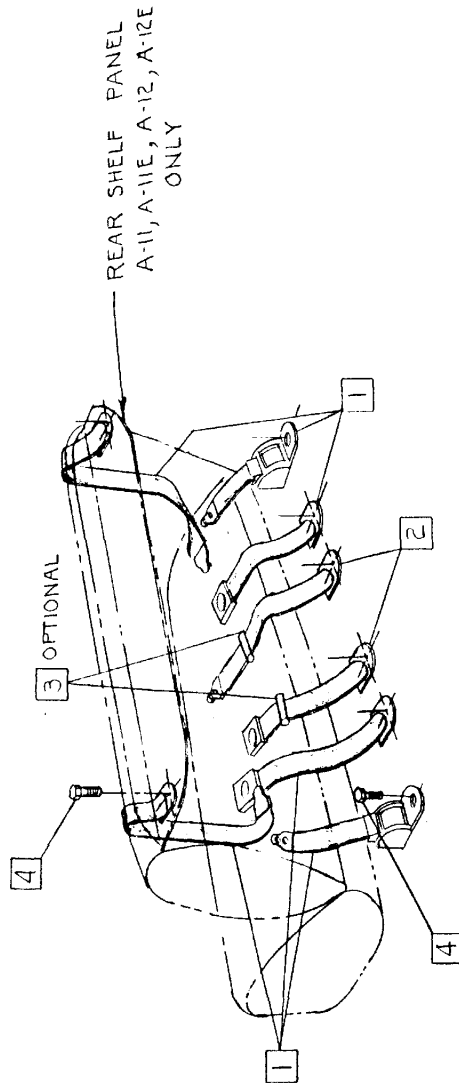
GRAPHIC ILLUSTRATION  
SEAT BELTS - REAR SEAT

DWN. DEKKER  
CHK. G.K.B.

SHEET NO. 314 A-2

APPVD.

- 1. 651643 HARNESS ASM. - FRT. SEAT (2)
- 2. 651647 BELT ASM. - REAR SEAT
- 3. 643051 RETRACTOR ASSEM. (2) OPTIONAL
- 4. 644301 BOLT - SEAT BELT ANCHOR SHORT (8)



CANCELLED SUPERCEDED BY G.I. 314 A-6

CHECKER MOTORS CORP. KALAMAZOO, MICH.

EFFECTIVE OCT. 1, 1970

MODEL:

A-12 WØ

DATE

9-11-70

GRAPHIC ILLUSTRATION

SEAT BELTS - CENTER SEATS - AEROBUS

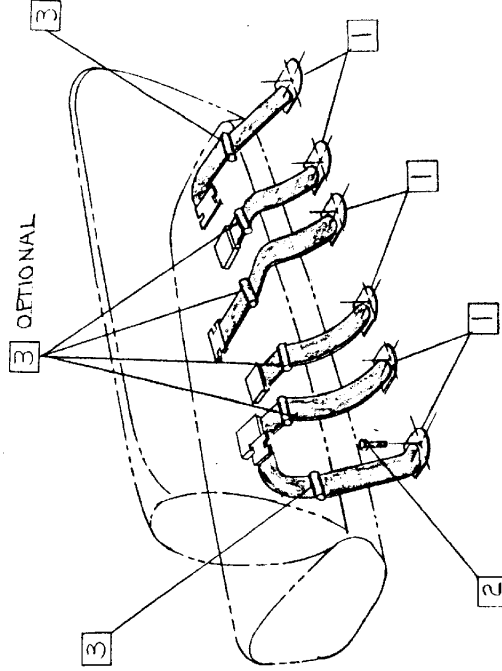
DWN. DEKKER

CHK. GIBB

SHEET NO. 314 A-3

APPVD.

- 1. 645799 BELT ASSEM. FRT. SEAT (6)
- 2. 644301 BDLT - SEAT BELT ANCHOR SHORT (12)
- 3. 643051 RETRACTOR ASSEM. (4) REQ'D, (8) OPTIONAL



CANCELLED SUPERCEDED BY G.I.

CHECKER MOTORS CORP. KALAMAZOO, MICH.

EFFECTIVE OCT 1, 1970

DATE

9-11-70

GRAPHIC ILLUSTRATION

SEAT BELTS - REAR-WAGON

DWN. DESKER

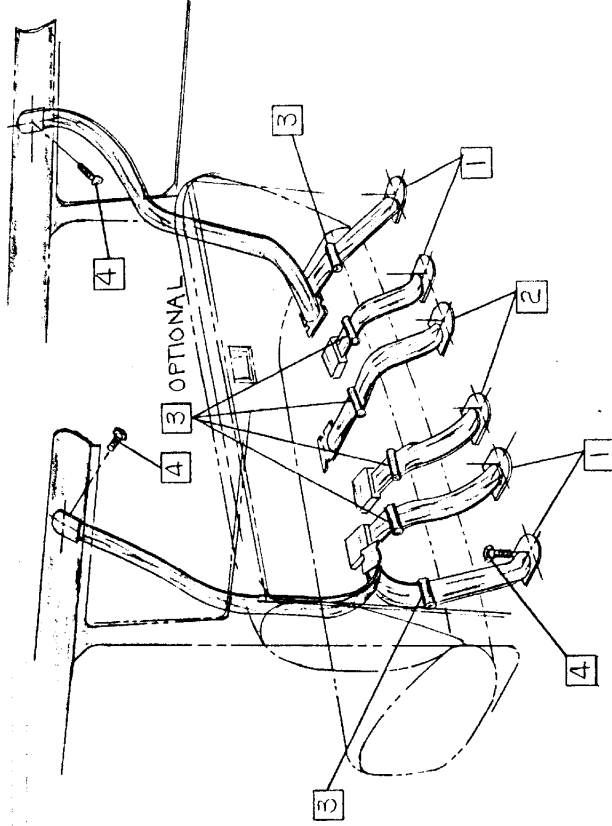
CHK.

SHEET NO. 314 A-4

A-12 W

APPVD.

- 1. 645801 HARNESS ASSEM. - FRT SEAT (2)
- 2. 645799 BELT ASSEM. - FRT. SEAT (1)
- 3. 643051 RETRACTOR ASSEM. (2) REQ'D, (4) OPTIONAL
- 4. 644301 BOLT - SEAT BELT ANCHOR SHORT (8)



CANCELLED SUPERCEDED BY G.I. 314 A-8

CHECKER-MOTORS CORP. KALAMAZOO, MICH.

EFFECTIVE JAN. 1, 1972

SHEET NO. 314 A-5

DWN. DESKED  
CHK. 11-18-71

APPVD.

GRAPHIC ILLUSTRATION

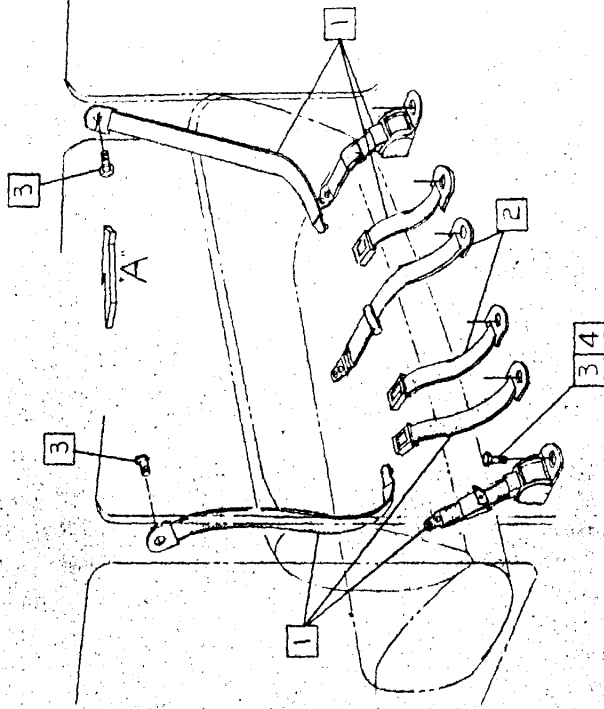
SEAT BELTS - FRT.

DATE: 11-17-71

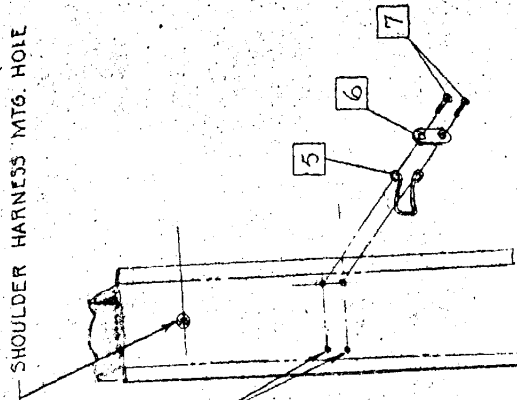
MODEL: A-12  
A-12E  
A-12W

- 1. 651643 HARNESS ASM. - FRT. SEAT (2)
- 2. 651646 BELT ASM. - SEAT
- 3. 644504 BOLT - SEAT BELT ANCHOR - SHORT (8) A-11, A-11E (2) A-12, A-12E, A-12W
- 4. 644500 BOLT - SEAT BELT ANCHOR - LONG (6) A-12, A-12E, A-12W
- 5. 646503 RETAINER - FRT. SEAT SHOULDER STRAP (2)
- 6. 646504 COVER - FRT. SEAT SHOULDER STRAP RET. (2)
- 7. 168465 SCREW 3/8 x 1/2 OHCR. (4)

DATE	CHANGES
2-2-72	646503, 646504 + 168465 Added
4-18-72	Harness in RETAINER View Added
11-8-72	651643 Was 647877 651646 Was 647850



SHOULDER HARNESS M'TG. HOLE

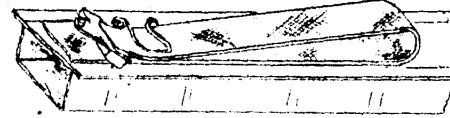


PLACE SHOULDER STRAP RET.  
IN THIS POSITION FOR  
LIFE GUARD PARTITION ONLY

TO. FRT OF CAR  
TYP. BOTH SIDES

VIEW IN DIRECTION OF ARROW 'A'

PROPER INSTALLATION OF SHOULDER HARNESS IN RETAINER

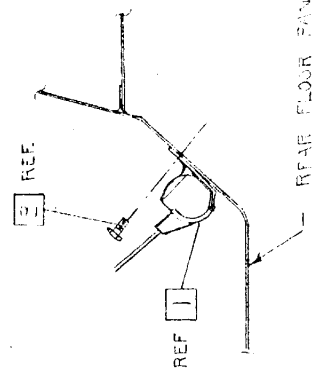
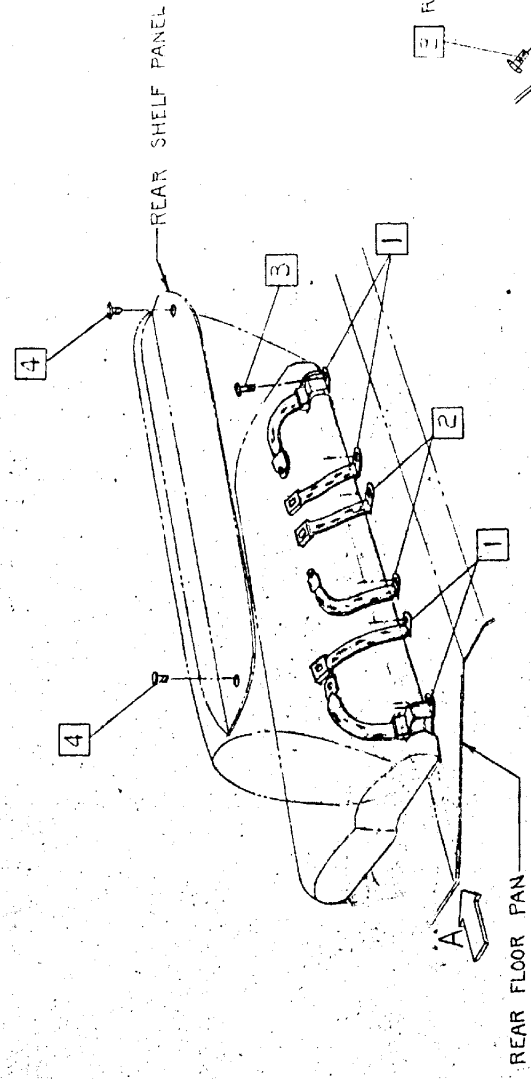


CHECKER MOTORS CORP. KALAMAZOO, MICH.

EFFECTIVE JAN 1, 1972

MODEL: A-1E	DATE	DWN. DESKETCH	SHEET NO.
A-1E	12-1-71	CHK.	314 A-6
A-1E	SEAT-BELT INSTALL. - REAR SEAT STD.		
APPVD.			

NO.	DESCRIPTION	DATE	CHANGES
1.	BELT + RETRACTOR ASM. - REAR SEAT (2)	11-8-71	651644 N/A 647833
2.	BELT ASM. - REAR SEAT	~	651647 N/A 647233
3.	BOLT - SEAT BELT ANCHOR SHORT (6)		
4.	PLUG - SEAT BELT ANCHOR (2)		



VIEW IN DIRECTION OF ARROW A

CHECKER MOTORS CORP. KALAMAZOO, MICH.

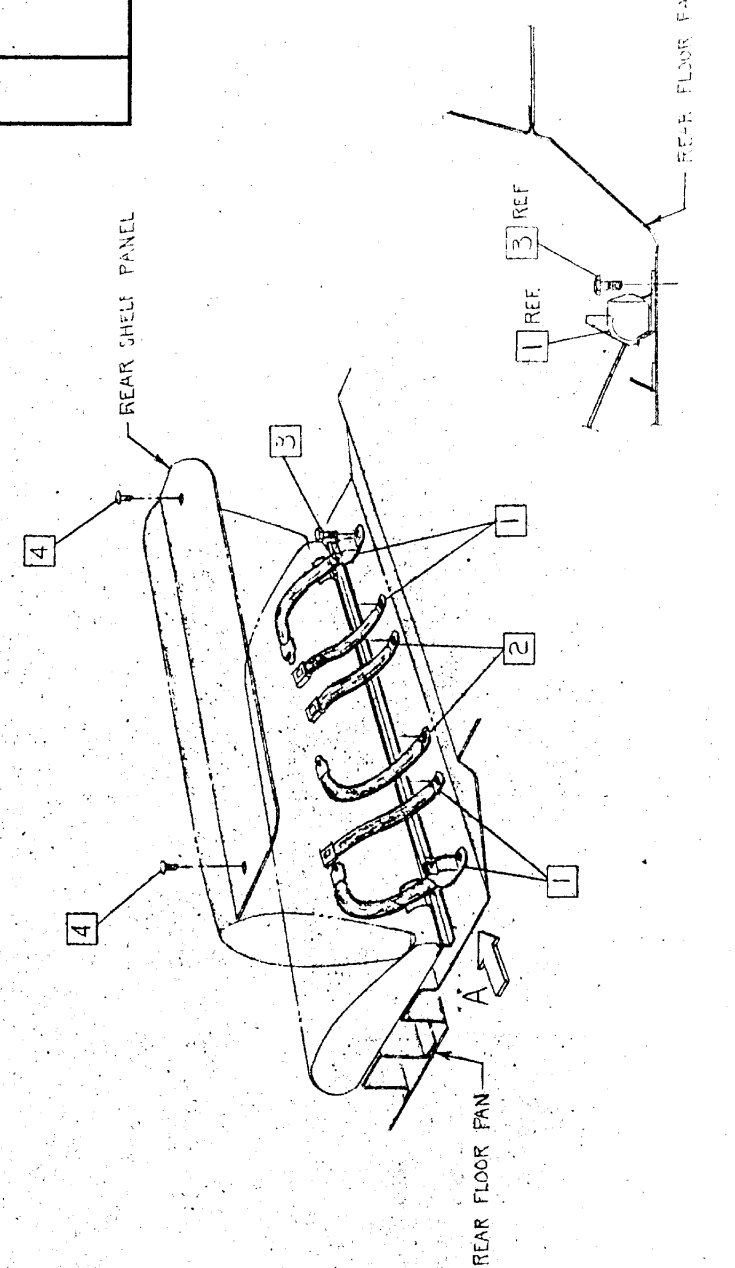
EFFECTIVE JAN. 1, 1972.

MODEL: A-12	DATE	DWN. DEKKEE	SHEET NO.	314 A-7
A-11E	12-1-71	CHK.	APPVD.	

NO.	DESCRIPTION	DATE	CHANGES
1.	BELT * RETRACTOR ASM. - REAR SEAT FWD. (2)	11-5-72	651645 WAS 64737?
2.	BELT ASM. - SEAT		651645 WAS 64733
3.	BOLT - SEAT BELT ANCHOR (6)		
4.	PLUG - SEAT BELT ANCHOR (2)		

GRAPHIC ILLUSTRATION

SEAT BELT INSTALL. - REAR SEAT FORWARD



VIEW IN DIRECTION OF ARROW A

CHECKER MOTORS CORP. KALAMAZOO, MICH.

EFFECTIVE JAN 1 1970

SHEET NO. 314 A-5

DWN. DATE  
CHK.

GRAPHIC ILLUSTRATION

DATE  
12-2-71

MODEL:  
A-12W

SEAT BELT INSTALL - STATION WAGON REAR

DATE	CHANGES
11-8-71	SEAT WAS SHORT 651646 WAS 644301

- 1. 651147 BELT \* RETRACTOR ASM. STA. WAGON REAR SEAT (2)
- 2. 651646 BELT ASM. REAR SEAT
- 3. 644301 BOLT - SEAT BELT ANCHOR SHORT (6)
- 4. 636157 PLUG - SEAT BELT ANCHOR (2)

