

EFFECTIVE OCT. 1, 1969

CHECKER MOTORS CORP. KALAMAZOO, MICH.

SHEET NO. 280 A-1

DWN. DEKKER
CHK. 4285

APPVD.

GRAPHIC ILLUSTRATION
RADIO ANTENNA INSTALLATION - DASH MTD.

DATE
5-17-68

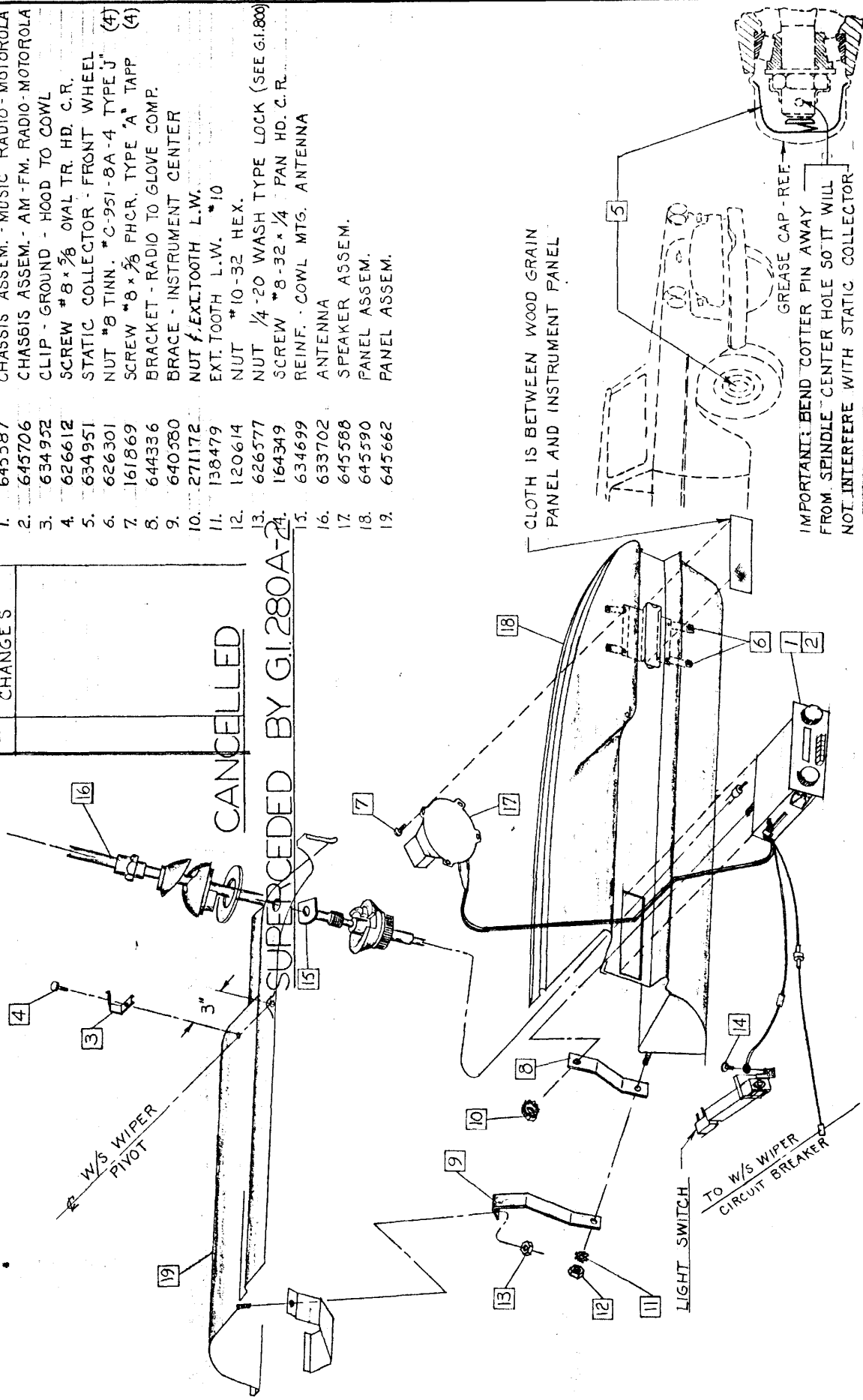
MODEL: A-12
A-12W6
A-12W8
BODY

CHASSIS ASSEM. - MUSIC RADIO - MOTOROLA
CHASSIS ASSEM. - AM - FM. RADIO - MOTOROLA
CLIP - GROUND - HOOD TO COWL
SCREW #8 x 3/8 OVAL TR. HD. C.R.
STATIC COLLECTOR - FRONT WHEEL
NUT #8 TINN. *C-951-8A-4 TYPE J* (4)
SCREW #8 x 3/8 FHCR. TYPE "A" TAPP (4)
BRACKET - RADIO TO GLOVE COMP.
BRACE - INSTRUMENT CENTER
NUT #8 EXLT. TOOTH L.W.
EXT. TOOTH L.W. *10
NUT #10-32 HEX.
NUT 1/4-20 WASH TYPE LOCK (SEE G1.800)
SCREW #8-32 x 1/4 PAN HO. C.R.
REINF. COWL MTS. ANTENNA
ANTENNA
SPEAKER ASSEM.
PANEL ASSEM.
PANEL ASSEM.

CHANGE'S

1. 645587
2. 645706
3. 634952
4. 626612
5. 634951
6. 626301
7. 161869
8. 644336
9. 640580
10. 271172
11. 136479
12. 120614
13. 626577
14. 164349
15. 634699
16. 633702
17. 645588
18. 645590
19. 645662

CANCELLED
SUPERCEDED BY G1.280A-2



CHECKER MOTORS CORP. KALAMAZOO, MICH.

EFFECTIVE JUNE 1, 1971

MODEL:

- A-12
- A-12E
- A-12W

DATE

6-1-71

GRAPHIC ILLUSTRATION

RADIO + ANTENNA INSTALLATION

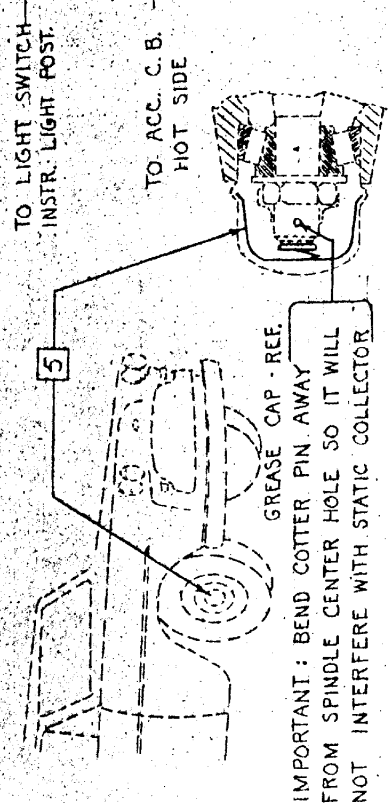
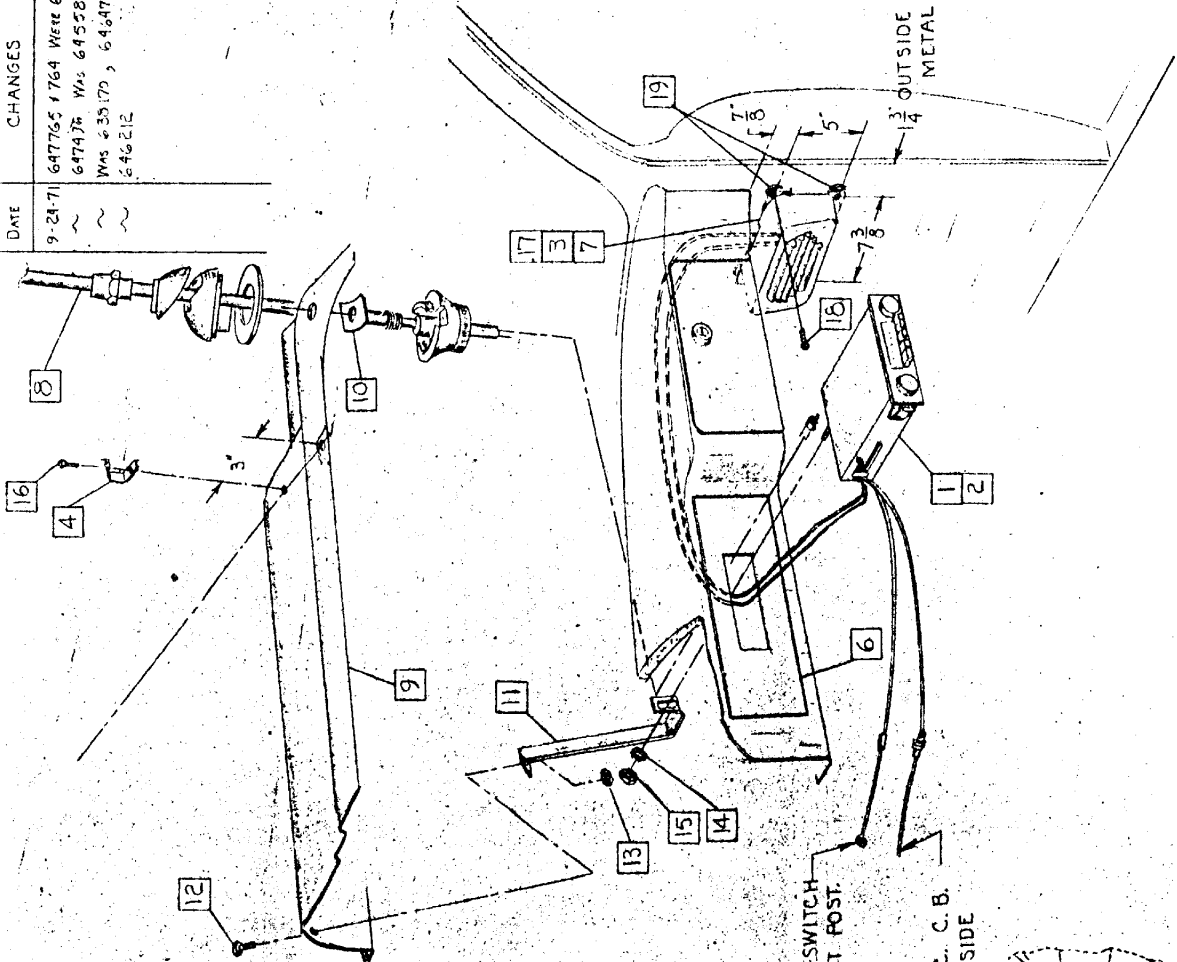
DWN. DEKKER
CHK. 7/5 > 4/71

SHEET NO. 280 A-2

APPVD.

- 1. 647765 CHASSIS ASM. - MUSIC. RADIO - MOTOROLA
- 2. 647764 CHASSIS ASM. - AM-FM. RADIO - MOTOROLA
- 3. 647496 SPEAKER ASM. - RADIO
- 4. 634952 CLIP - GROUND
- 5. 634951 STATIC COLLECTOR - FRT. WHEEL (2)
- 6. 644432 PANEL - RADIO MTG.
- 7. 646398 HOUSING - SPEAKER
- 8. 633702 ANTENNA ASM. - RADIO
- 9. 645662 PANEL ASM. - COWL TOP
- 10. 634699 REINFORCEMENT - COWL MTD. ANT.
- 11. 646478 BRACE - MUSIC. RADIO MTG.
- 12. 626543 SCREW + LW. ASM. $\frac{1}{4}$ - 20 - $\frac{5}{8}$ HEX.
- 13. 271172 NUT + LW. ASM. $\frac{1}{4}$ - 20
- 14. 120380 L.W. $\frac{1}{4}$ MED. SPRING.
- 15. 120375 NUT $\frac{1}{4}$ - 20 HEX.
- 16. 626612 SCREW * 8 * $\frac{5}{8}$
- 17. 626409 NUT * $\frac{3}{16}$ PUSH ON. (4)
- 18. 161909 SCREW * 10 * 1 (4)
- 19. 626439 GROMMET (4)

DATE	CHANGES
9-24-71	647765 + 1764 WERE 6455871764
~	647496 WAS 645588, 646398
~	WAS 635172, 646478 WAS
~	646212



GREASE CAP - REF.
IMPORTANT: BEND COTTER PIN AWAY FROM SPINDLE CENTER HOLE SO IT WILL NOT INTERFERE WITH STATIC COLLECTOR.

TO LIGHT SWITCH - INSTR. LIGHT POST.
TO ACC. C.B. HOT SIDE

OUTSIDE OF METAL

CHECKER MOTORS CORP. KALAMAZOO, MICH.

EFFECTIVE OCT. 1, 1969

MODEL: A-12
A-11
A-11E

DATE
10-6-69

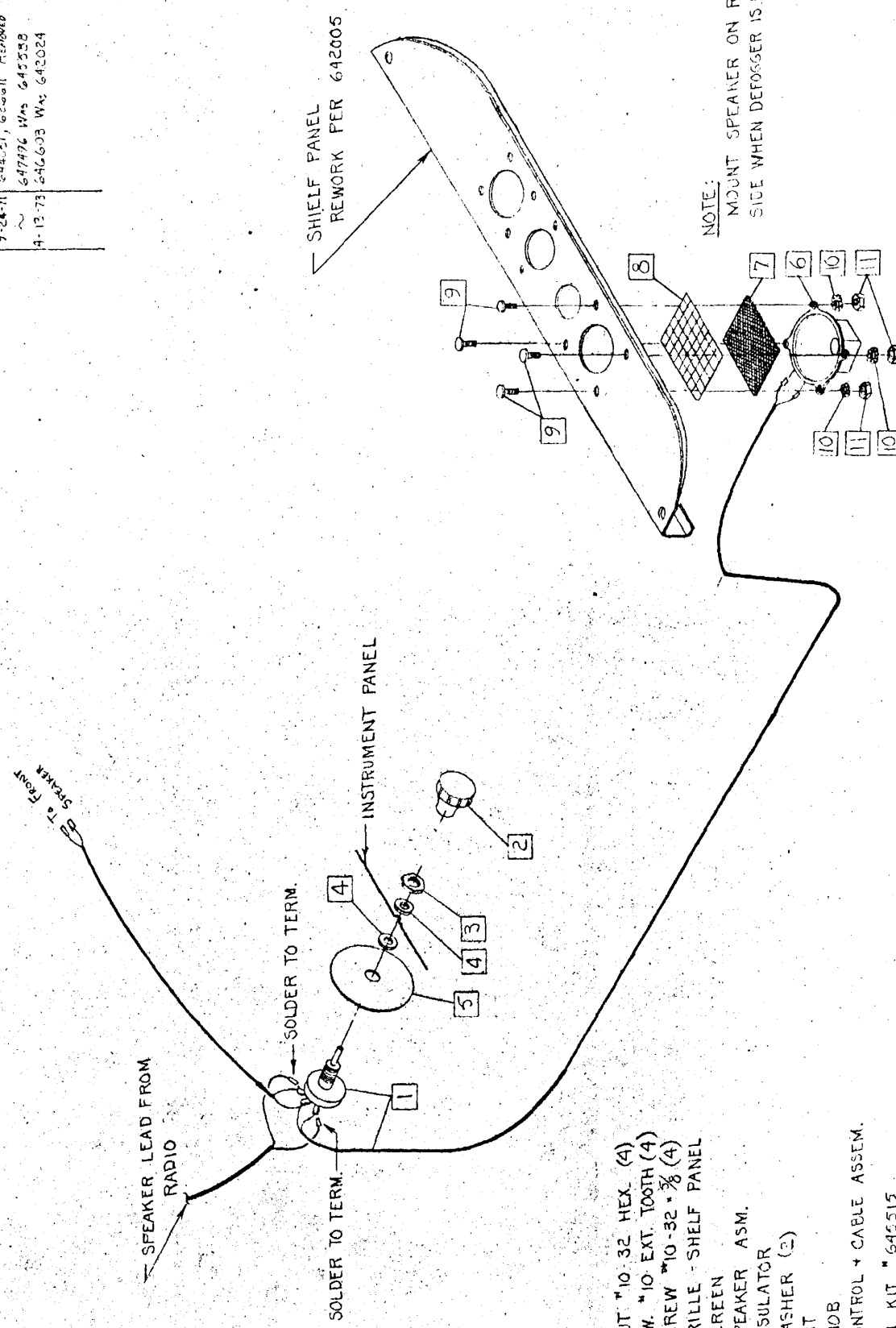
GRAPHIC ILLUSTRATION
RADIO - SPEAKER REAR MTG.

DWN. DEKKER
CHK. C. B. S. 7/2

SHEET NO. 280 A-2

APPVD.

Date	CHANGES
9-24-71	644051, 642005 (1) Removed
~	647476 Was 645558
4-13-73	646603 Was 642024



- 11. 120614 NUT *10-32 HEX (4)
- 10. 138479 L.W. *10 EXT. TOOTH (4)
- 9. 626537 SCREW *10-32 * 3/8 (4)
- 8. 646603 GRILLE - SHELF PANEL
- 7. 642025 SCREEN
- 6. 647476 SPEAKER ASM.
- 5. 644757 INSULATOR
- 4. WASHER (2)
- 3. NUT
- 2. KNOB
- 1. CONTROL + CABLE ASSEM.

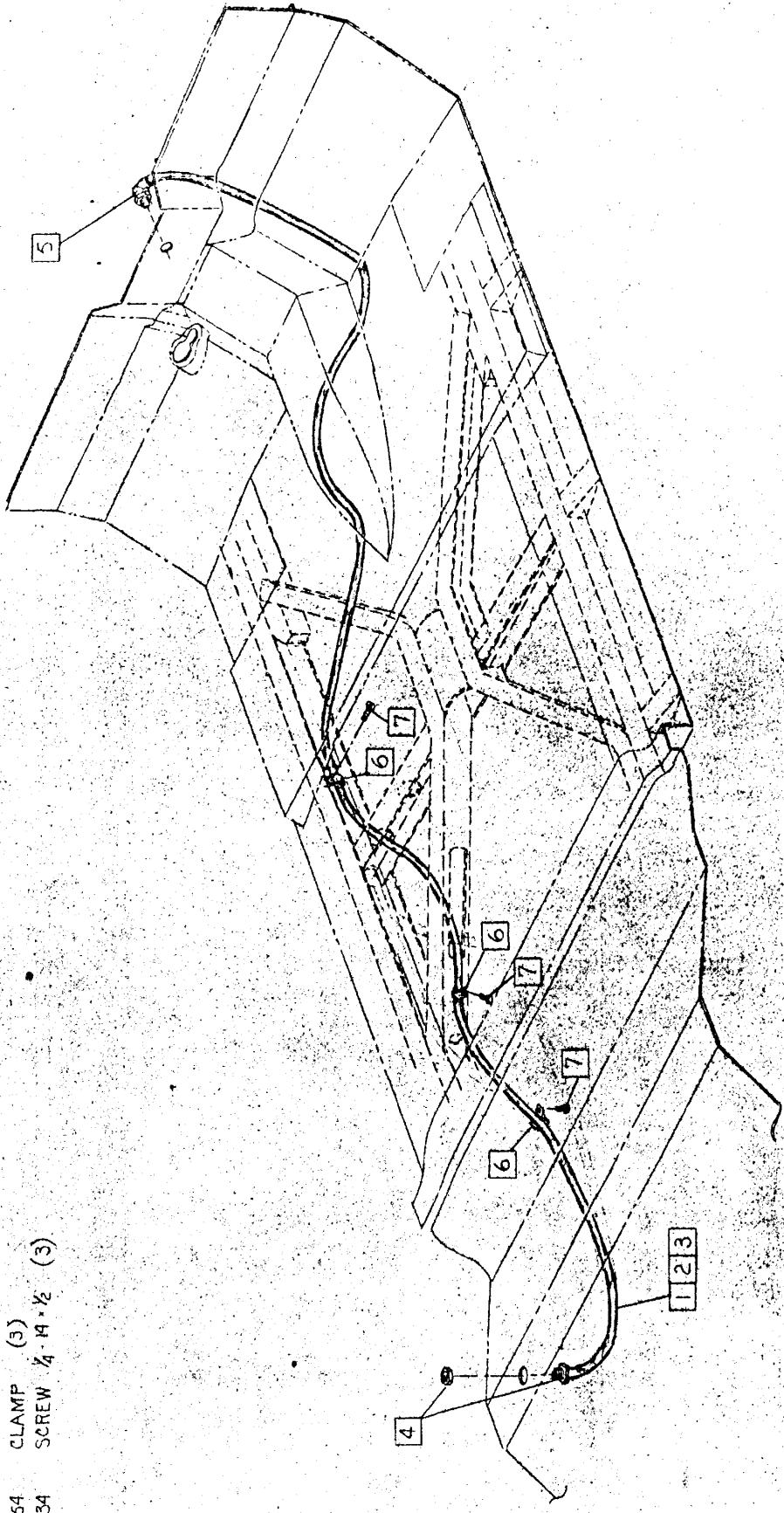
• DENOTES FURN. IN KIT * 645515

DWN. DEKKA
 CHK. *[Signature]*
 SHEET NO. 280 A-5
 APPVD.

GRAPHIC ILLUSTRATION
 RADIO - TWO WAY - CONDUIT

MODEL: B-12
 B-12E
 B-12W
 DATE: 5-24-71

1. 95383 HOSE ASM. - GRAY CONDUIT (B-11, B-12, B-12W AT DASH)
2. 701299 HOSE ASM. - GRAY CONDUIT (B-11E, B-12E AT DASH)
3. 701519 HOSE ASM. - GRAY CONDUIT (B-11 UNDER LH. FRT. SEAT)
4. 95384 FITTING ASM. - CONDUIT STRAIGHT
5. 95385 FITTING ASM. - CONDUIT ELBOW
6. 94854 CLAMP (3)
7. 178434 SCREW 1/4 - 14 x 1/2 (3)



CHECKER MOTORS CORP: KALAMAZOO, MICH.

EFFECTIVE OCT 1, 1970

MODEL:
A-11
A-11E

DATE
2-16-71

GRAPHIC ILLUSTRATION
ROOF TRIM - PANELED

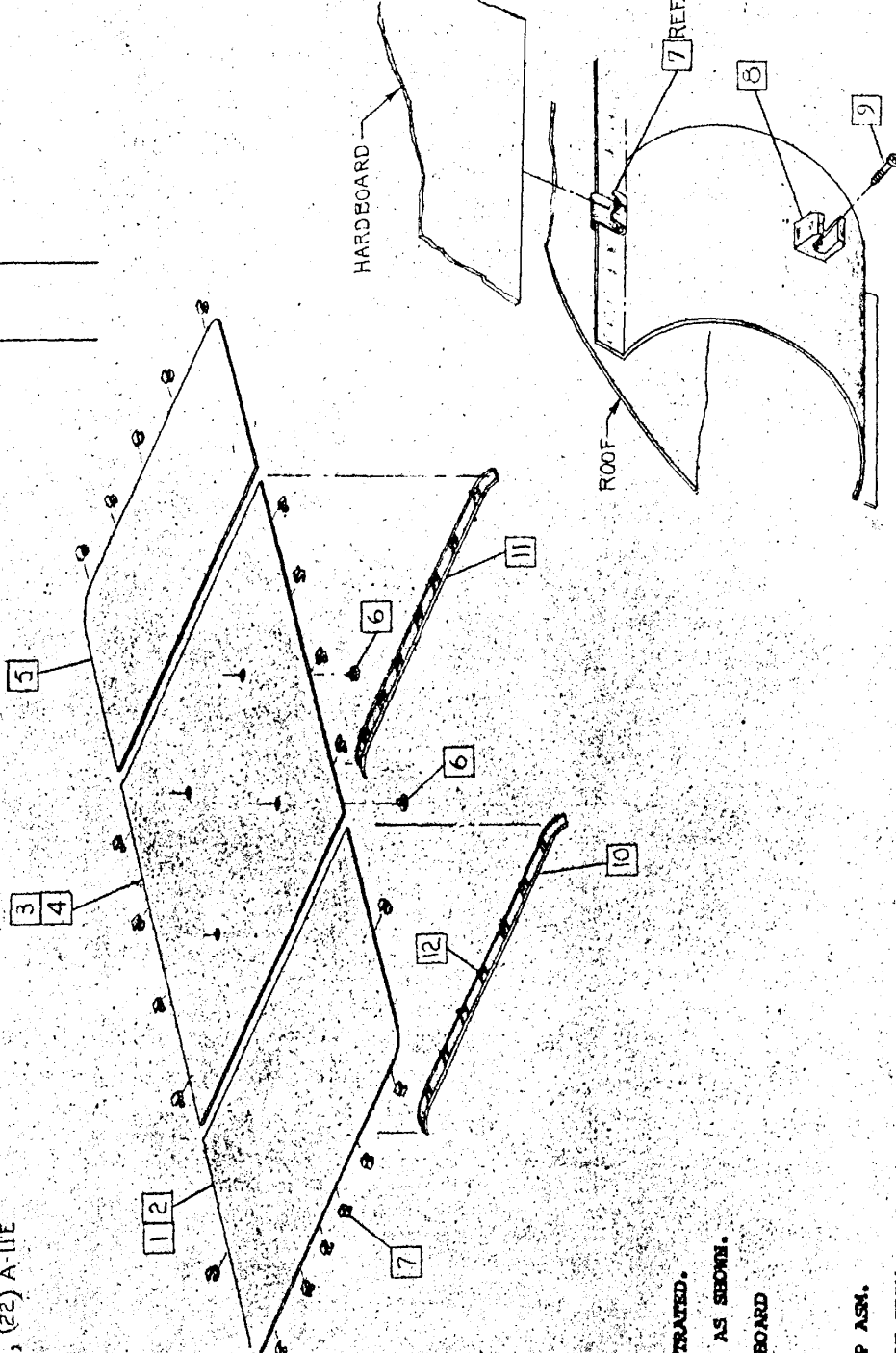
DWN. DEKKER
CHK. REP 4-2-7

SHEET NO. 290 A-1

APPVD.

- 1. 644387 PANEL - ROOF TRIM - FRT. (A-11)
- 2. 644476 PANEL - ROOF TRIM - FRT. (A-11E)
- 3. 634281 PANEL - ROOF TRIM - CENTER (A-11)
- 4. 642092 PANEL - ROOF TRIM - CENTER (A-11E)
- 5. 644394 PANEL - ROOF TRIM - REAR
- 6. 626628 CLIP ASM. TRIM. (4)
- 7. 626273 CLIP - ROOF TRIM (20) A-11, (22) A-11E
- 8. 644153 CLIP - SUN VISOR (2)
- 9. 626612 SCREW # 8 x 3/8 (2)
- 10. 634065 MOLDING - ROOF TRIM - FRT.
- 11. 634066 MOLDING - ROOF TRIM - REAR
- 12. 626427 CLIP - ROOF TRIM (14)

DATE	CHANGES
7-20-72	646553, 54, 55, 56, 57 ADDED
3-15-73	646553, 54, 55, 56, 57 REMOVED



ROOF TRIM PANEL INSTALLATION PROCEDURE

1. FASTEN SUN VISOR CLIPS TO ROOF AS ILLUSTRATED.
2. FASTEN ROOF TRIM REFRAINER CLIPS TO ROOF AS SHOWN.
3. INSTALL REAR PANEL FIRST, SLIDING HARD BOARD UNDER CLIPS AS ILLUSTRATED.
4. INSTALL FRONT PANEL IN SIMILAR MANNER.
5. LOCATE CENTER PANEL AND SECURE WITH CLIP ASM.
6. SECURE ALL PANELS WITH FRT. END REAR ROOF TRIM MOLDING - LOCATE CLIPS AS ILLUSTRATED.