

CHECKER MOTORS CORP. KALAMAZOO, MICH.

EFFECTIVE OCT 1, 1969

DWN. DEWEY

CHK. R. D. 4-17-70

SHEET NO. 260 A-1

CANCELLED OCT 1, 1970

GRAPHIC ILLUSTRATION

PARTITION - SAFE GUARD - MOUNTING

DATE

4-13-70

MODEL:

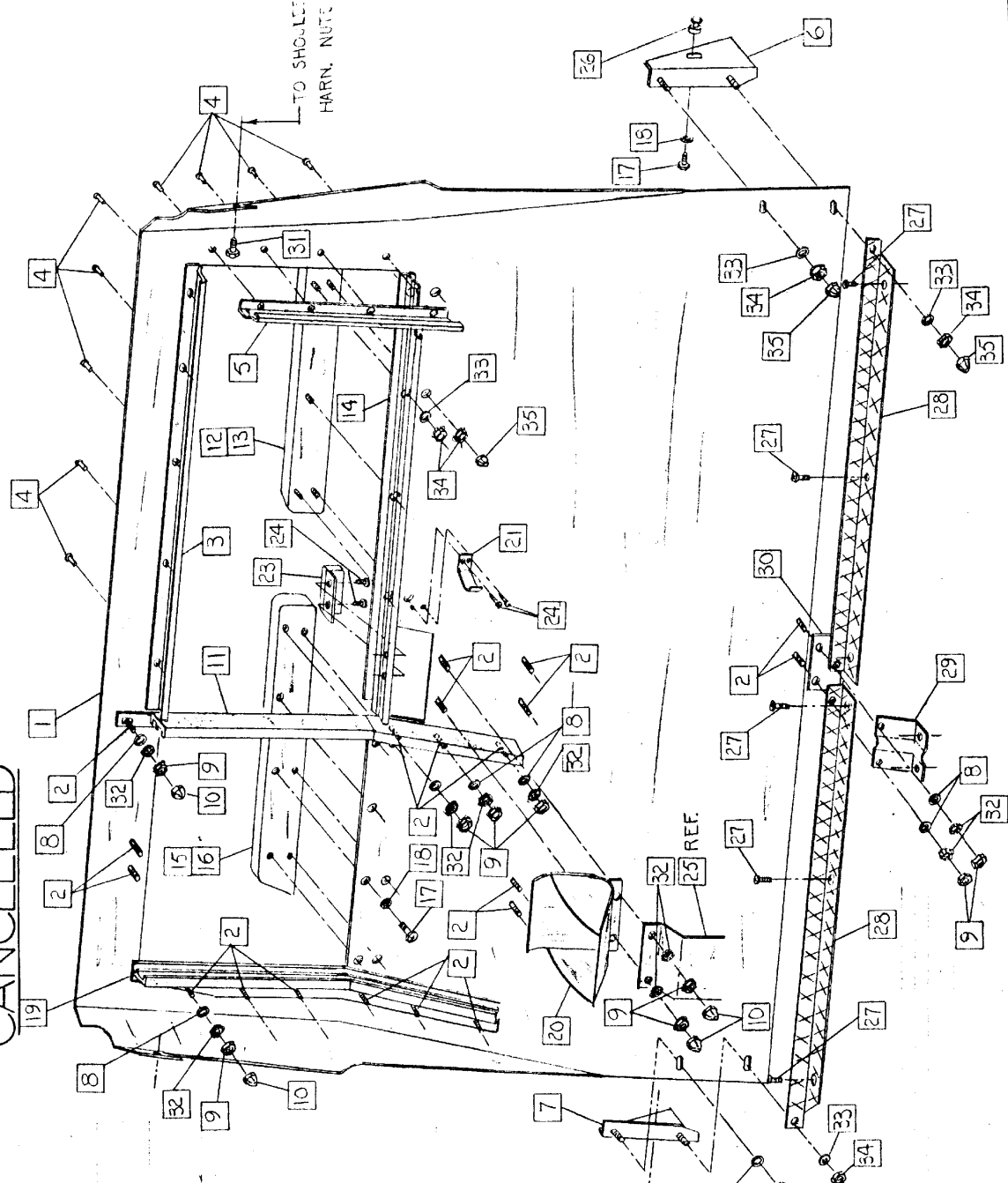
A-11

A-11E

APPVD.

CANCELLED

- 1. PARTITION ASM. WELDED - B.F.
- 2. STUD $\frac{5}{16}$ -18 x $\frac{3}{4}$ SPEC. (20)
- 3. RETAINER
- 4. RIVET $\frac{3}{8}$ DIA. - POP (9)
- 5. CHANNEL - PART. UPPER SIDE
- 6. PANEL + BOLT ASM. L.H.
- 7. PANEL + BOLT ASM. R.H.
- 8. WASHER $\frac{1}{2}$ ID. x $\frac{1}{16}$ O.D. (12)
- 9. NUT $\frac{5}{16}$ -18 HEX. (14)
- 10. NUT $\frac{5}{16}$ -18 STAMPED (9)
- 11. BAR ASM. - PART. DIV.
- 12. PAD ASM. - PART. CRASH. LEFT - GRAY
- 13. PAD ASM. - PART. CRASH LEFT - RED
- 14. MEMBER ASM. - PART. LOWER
- 15. PAD ASM. - PART. CRASH - R.H. - GRAY
- 16. PAD ASM. - PART. CRASH R.H. - RED
- 17. SCREW $\frac{1}{4}$ -20 x $\frac{3}{8}$ TR. HD. (9)
- 18. L.W $\frac{1}{4}$ x .632 O.D. INT. TOOTH (9)
- 19. GUIDE ASM. - PART. GLASS
- 20. BOX + INSERT ASM. - PART. FARE
- 21. CLIP
- 22. PANEL + ANGLE ASM.
- 23. SCREW # x $\frac{3}{8}$ PAN HD. (2)
- 24. BRACKET - PART. WINDOW.
- 25. JACK NUT $\frac{1}{4}$ -20 (2)
- 26. SCREW #10 x $\frac{1}{2}$ PAN HD. (8)
- 27. GRILLE - LOWER PART. (2)
- 28. ANGLE - LOWER PART.
- 29. PLATE
- 30. BOLT - SEAT BELT (2)
- 31. L.W. $\frac{3}{8}$ EXT. TOOTH (14)
- 32. WASHER $\frac{3}{8}$ ID. x $\frac{3}{8}$ O.D. (8)
- 33. NUT + LW. ASM. $\frac{1}{4}$ -20 (11)
- 34. NUT $\frac{1}{4}$ -20 STAMPED (7)



5-11-70 (E) 163156 WAS 170988

CHANGES

CHECKER MOTORS CORP. KALAMAZOO, MICH.

EFFECTIVE OCT 1, 1959

DWN. DEKKER
CHK. CPA-17-70

SHEET NO. 260 A-2

CANCELLED UCT I 1970

GRAPHIC ILLUSTRATION

PARTITION - SAFE GUARD - REGULATOR + COVER MTG.

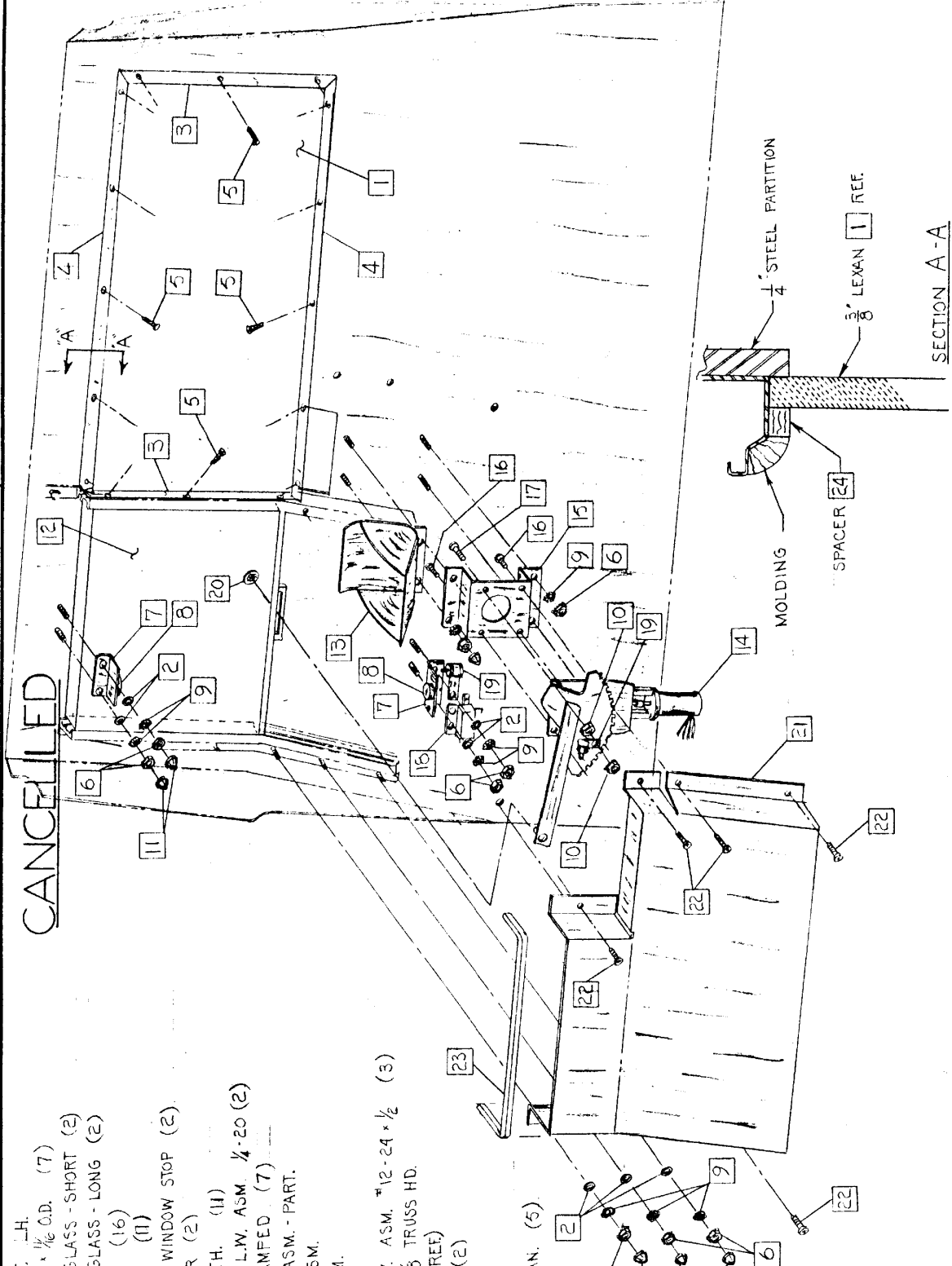
DATE

4-14-70

MODEL:

A-11
A-11E

- CANCELLED**
1. 646225 LEXAN $\frac{3}{8}$ PART. L.H.
 2. 120393 WASHER $\frac{1}{2}$ 10. $\times \frac{1}{16}$ O.D. (7)
 3. 642835 MOLDING - PART. GLASS - SHORT (2)
 4. 642834 MOLDING - PART. GLASS - LONG (2)
 5. 626613 SCREW $\frac{3}{8} \times \frac{3}{8}$ (16)
 6. 120376 NUT $\frac{3}{16}$ - 18 HEX. (11)
 7. 642670 BRACKET - PART. WINDOW STOP (2)
 8. 622702 SUMPER - RUBBER (2)
 9. 138485 L.W. $\frac{3}{8}$ EXT. TOOTH. (11)
 10. 271172 NUT - EXT. 100TH L.W. ASM. $\frac{1}{4}$ - 20 (2)
 11. 446621 NUT $\frac{5}{16}$ - 16 STAMPED (7)
 12. 647445 LEXAN + FRAME ASM. - PART.
 13. 643884 BOX + INSERT ASM.
 14. 645217 REGULATOR ASM.
 15. 644207 BRACKET - PART.
 16. 187987 SCREW + EXT. L.W. ASM. $\frac{1}{2}$ - 24 $\times \frac{1}{2}$ (3)
 17. 159129 SCREW $\frac{1}{4}$ - 20 $\times \frac{3}{8}$ TRUSS HD.
 18. 645552 RELAY ASM. (REF)
 19. 645231 SWITCH ASM. (2)
 20. 625932 RETAINER
 21. 644208 COVER
 22. 163155 SCREW $\frac{3}{8} \times \frac{3}{8}$ PAN. (5)
 23. 644227 GASKET
 24. 647443 SPACER ASM.



SECTION A-A

6-11-70 647443 ADDED, 646209 REMOVED
 ~ 646225 WAS 640525
 ~ 647445 WAS 641857

CHANGE'S

CHECKER MOTORS CORP. KALAMAZOO, MICH.

EFFECTIVE OCT 1, 1969

DWN. DEKKER
CHK. RFP 4-20-70

SHEET NO. 260 A-3

CANCELLED OCT 1 1970

GRAPHIC ILLUSTRATION

PARTITION - SAFE GUARD - WIRING

DATE

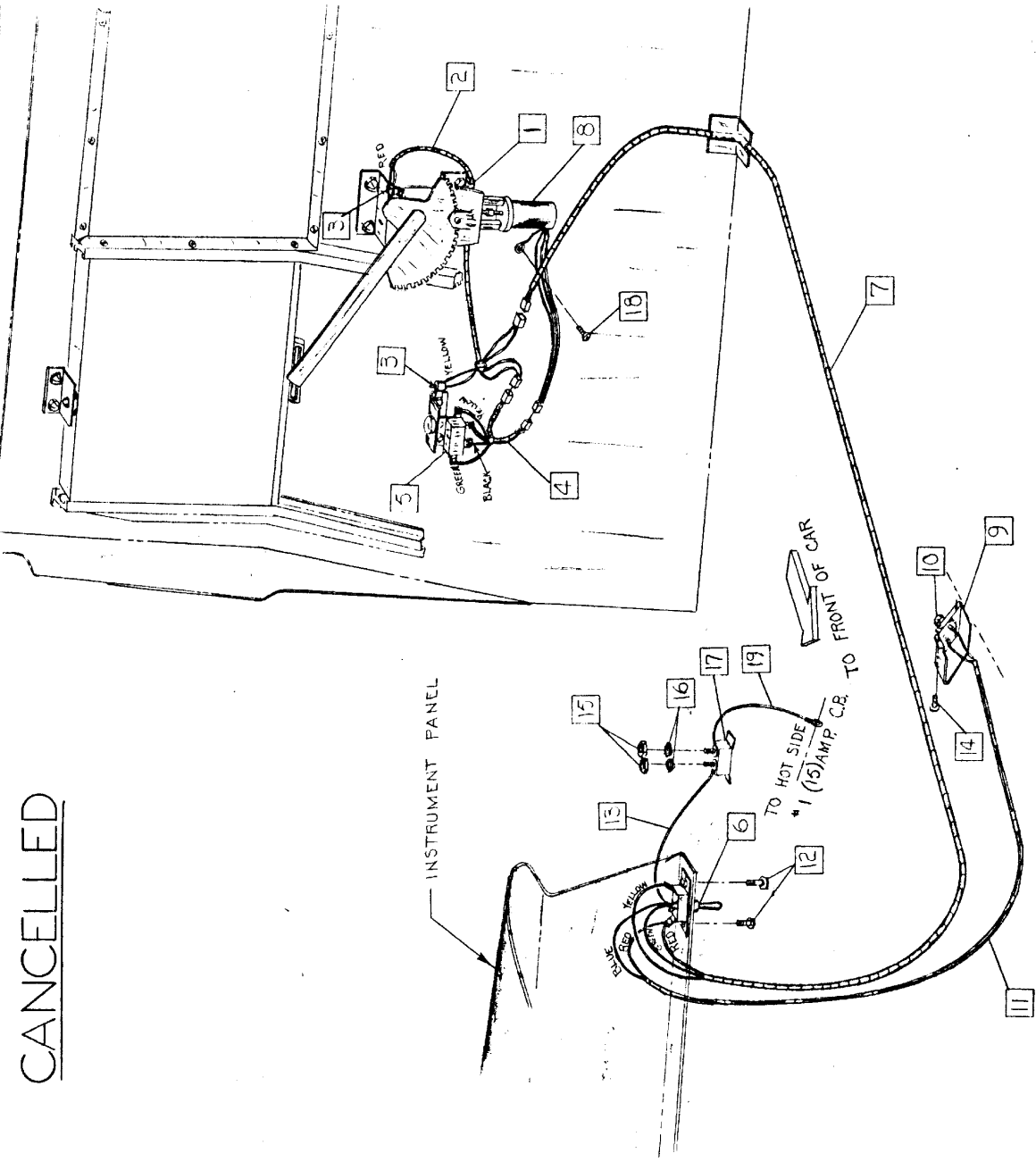
4-17-70

MODEL:

A-11
A-11E

1. CLIP 3/16 TUBE 1/4 BOLT
2. HARNESS ASM. - LIMIT SW.
3. SWITCH ASM. (2)
4. HARNESS ASM. - RELAY
5. RELAY ASM.
6. SWITCH ASM. - TOGGLE
7. HARNESS ASM.
8. REGULATOR ASM. B/P PART.
9. MOUNTING - SAFE GUARD
10. SWITCH ASM.
11. HARNESS ASM. - FOOT CONTROL
12. SCREW *6-32 x 1/2 (2)
13. WIRE ASM. - SAFE GUARD
14. SCREW *14-14 x 1/2 (3)
15. NUT *10-52 HEX. (2)
16. L.W. *10 EXT. TOOTH (2)
17. CIRCUIT BREAKER ASM. .25 AMP.
18. SCREW *8 x 3/8 PAN
19. LEAD ASM.

CANCELLED



7-27-74 FEEDER WIRE WAS TO HOT
SIDE #4-(15) AMP C.B.
6-25-70 635279 WAS (1) 645252

CHANGES

CHECKER MOTORS CORP. KALAMAZOO, MICH.

EFFECTIVE OCT. 1, 1969

DWN. DEKKER
CHK 105-12-70

SHEET NO. 260 A-4
CANCELLED 66-1-1873

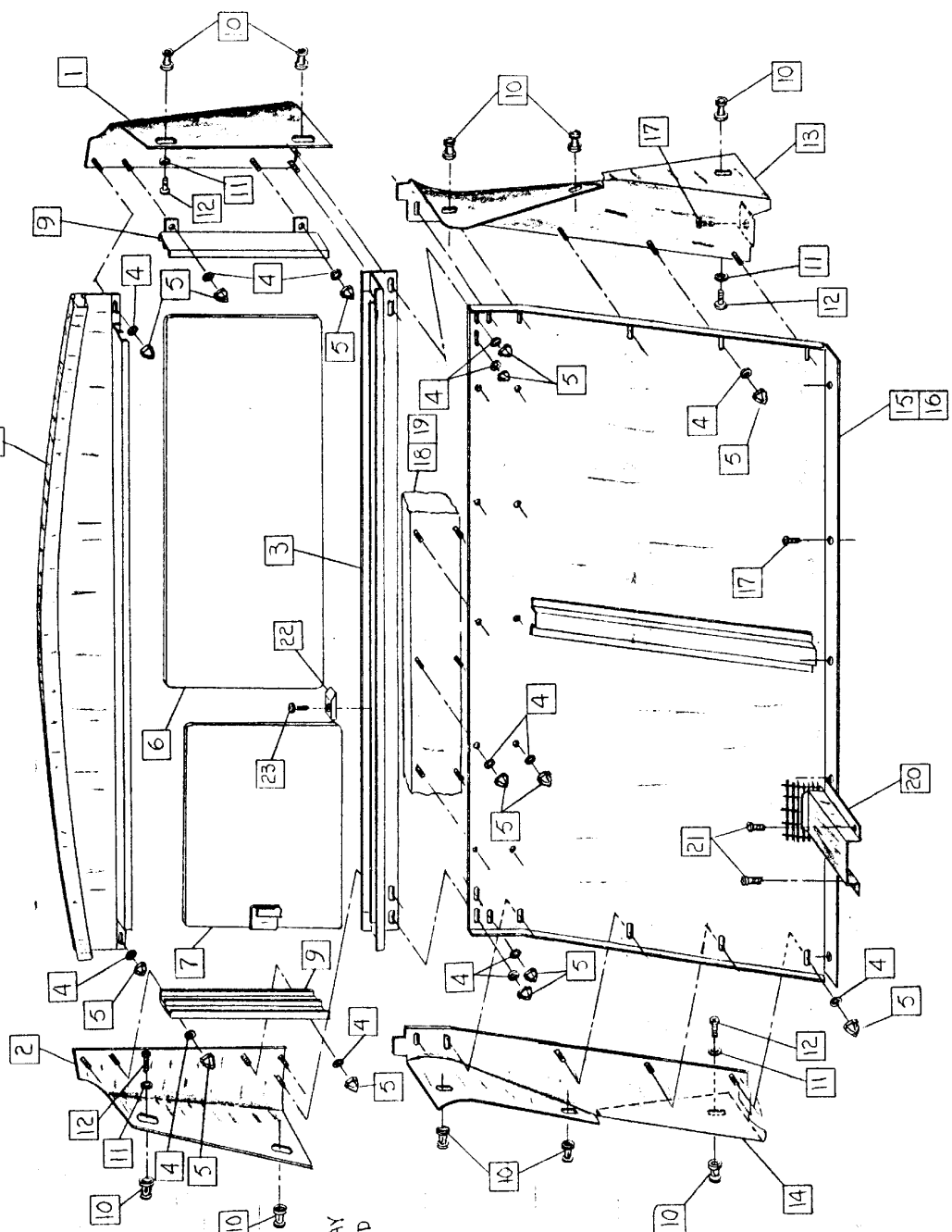
GRAPHIC ILLUSTRATION
PARTITION - FULL

DATE
4-21-70

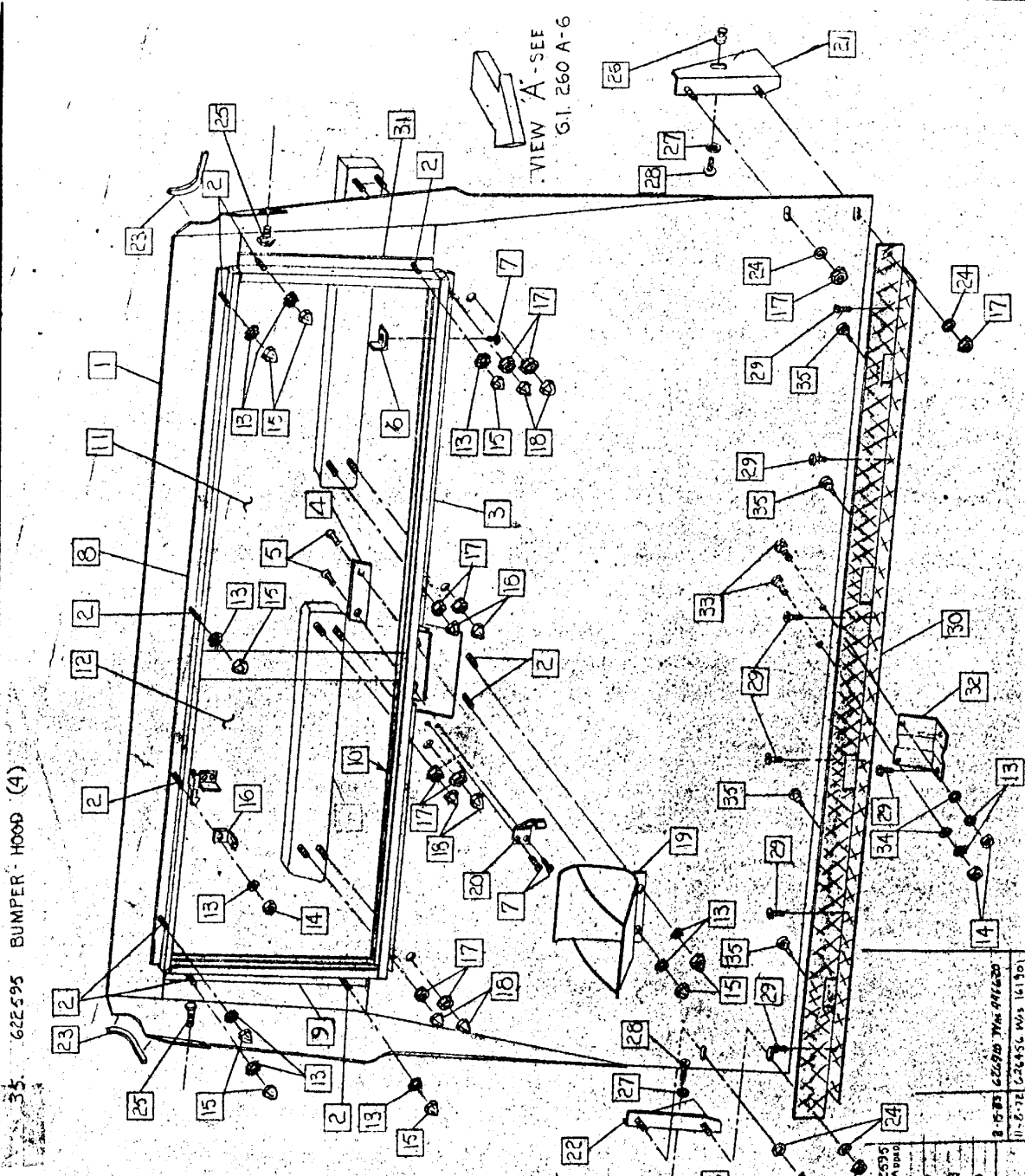
MODEL:
A-11
A-11E

CANCELLED

- 1. 637101 PANEL ASM. - PART. SIDE - L.H.
- 2. 637102 PANEL ASM. - PART. SIDE - R.H.
- 3. 637105 MEMBER ASM. - PART. LOWER
- 4. 120392 WASHER $\frac{3}{32}$ I.D. x $\frac{3}{8}$ O.D. (30)
- 5. 446620 NUT $\frac{1}{4}$ -20 STAMPED (30)
- 6. 642351 GLASS - FULL PART. L.H.
- 7. 643015 GLASS + HANDLE ASM. PART.
- 8. 643016 MEMBER ASM. - PART. UPPER
- 9. 637123 MEMBER ASM. - PART. SIDE (2)
- 10. 626448 JACK NUT $\frac{1}{4}$ -20 (10)
- 11. 626516 L.W. $\frac{1}{4}$ x .632 O.D. INT. (10)
- 12. 189129 SCREW $\frac{1}{4}$ -20 x $\frac{3}{8}$ (10)
- 13. 643021 PANEL + BOLT ASM. - L.H.
- 14. 643022 PANEL + BOLT ASM. - R.H.
- 15. 643034 PANEL ASM. - LOWER TRIMMED-GRAY
- 16. 647168 PANEL ASM. - LOWER TRIMMED-RED
- 17. 161895 SCREW $10 \times \frac{1}{2}$ PAN HD. (7)
- 18. 643023 PAD ASM. - PART. - GRAY
- 19. 647169 PAD ASM. - PART. - RED
- 20. 643027 SHROUD + GRILLE ASM.
- 21. 163098 SCREW $\frac{5}{16}$ x $\frac{3}{8}$ (2)
- 22. 635160 STOP - PART. GLASS
- 23. 163451 SCREW $\frac{3}{8}$ -18 x $\frac{3}{4}$



35. 622595 BUMPER HOOD (4)
 PARTITION LIFE GUARD MOUNTING



MODEL:	DATE	CHANGES
A-11	9-3-70	
A-11E		
1. 647315	PARTITION ASM. - WELDED - L/G	
2. 626565	STUD $\frac{3}{16}$ - 18 x $\frac{3}{4}$ (10)	
3. 646330	CHANNEL - LEXAN LOWER L/G	
4. 642895	PANEL - FARE BOX GUARD	
5. 626642	RIVET $\frac{3}{16}$ DIA. BS POP (2)	
6. 646343	BRACKET - LEXAN OPEN STOP	
7. 163158	SCREW # 8 x $\frac{3}{4}$ PAN HD (3)	
8. 647638	CHANNEL ASM. - UPR. L/G	
9. 647660	CHANNEL ASM. - SIDE L/G RH.	
10. 646338	FILLER - $\frac{3}{8}$ x $\frac{1}{2}$ x $19\frac{3}{8}$	
11. 646431	LEXAN - L/G PARTITION LH...	
12. 647659	LEXAN + HANDLE ASM. - LG	
13. 138485	L.W. $\frac{1}{16}$ EXT TOOTH (12)	
14. 120376	NUT $\frac{1}{16}$ - 18 HEX. (3)	
15. 441865	NUT $\frac{3}{16}$ - 18 STAMPED (9)	
16. 646341	STRIKER PART. LATCH L/G	
17. 271172	NUT + EXT. L.W. ASM. $\frac{1}{4}$ - 20 HEX (12)	
18. 626910	NUT $\frac{1}{4}$ - 20 STAMPED (8)	
19. 647431	BOX + INSERT ASM. - PART. FARE L/G	
20. 636347	CLIP - TIRE DOOR SPRING	
21. 647435	PANEL ASM. - LOWER L/G LH.	
22. 647436	PANEL ASM. - LOWER L/G RH.	
23. MG-115	RUBBER CHANNEL. (1.584 LIN. FT.)	
24. 120392	WASHER $\frac{3}{16}$ ID. x $\frac{7}{8}$ OD. (4)	
25. 644300	BOLT SEAT BELT ANCHOR LONG (2)	
26. 626448	JACK NUT $\frac{1}{4}$ - 20 (2)	
27. 626516	L.W. $\frac{1}{4}$ x .632 O.D. INT. TOOTH (2)	
28. 189129	SCREW $\frac{1}{4}$ - 20 x $\frac{3}{8}$ TR. HD. (2)	
29. 628456	SCREW + WASHER ASM. $\frac{3}{8}$ x $\frac{1}{2}$ (8)	
30. 646247	GRILLE - LOWER PART. PAN L/G	
31. 646332	CHANNEL - SIDE L/G	
32. 644262	ANGLE - LOWER PART.	
33. 180080	BOLT $\frac{3}{16}$ - 18 x $1\frac{1}{2}$ (2)	
34. 120393	WASHER $\frac{3}{16}$ ID. x $\frac{1}{4}$ OD. (2)	
3-17-71	646231 Was 646230	
3-17-71	647633, 647659 Were 646233, 647659	
~	647660, 646338 Were 646231, 646232	
~	646343, 647658 Were 646232, 646233	
2-8-71	646330, 646332 Were 646234, 646235	

8-15-83 626910 Was 646247
 11-6-82 646332 Was 647500

DWN. DEKKER
CHK. S.M. 9-8-70

GRAPHIC ILLUSTRATION
PARTITION - LIFE GUARD TRIM.

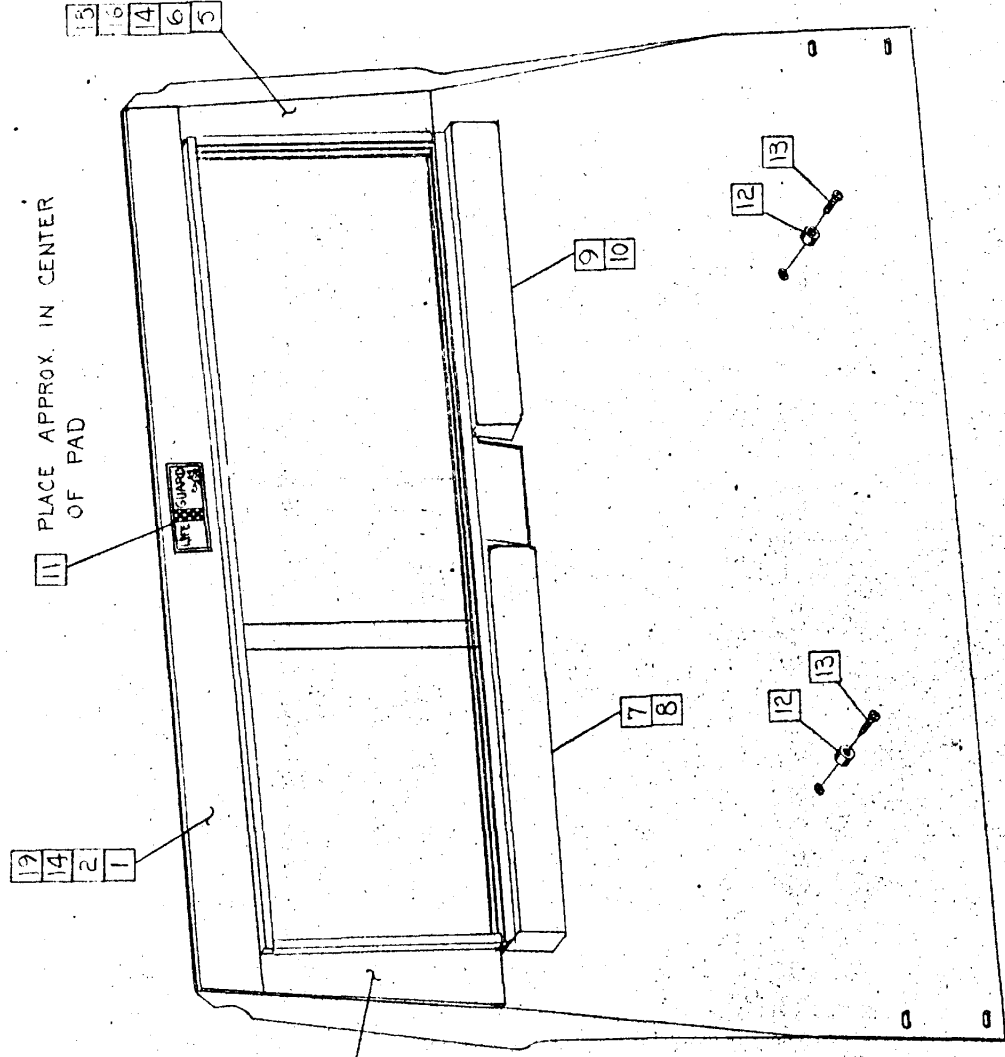
DATE
9-3-70

MODEL:
A-11
A-11E

SHEET NO. 260 A-6

APPVD.

- 1. 647385 PAD ASM. - PART. UPR. L/5 - GRAY
- 2. 647386 PAD ASM. - PART. UPR. L/3 - RED
- 3. 647397 PAD ASM. - PART. SIDE L/5 - GRAY L.H.
- 4. 647412 PAD ASM. - PART. SIDE L/5 - RED L.H.
- 5. 647396 PAD ASM. - PART. SIDE L/6 - GRAY R.H.
- 6. 647420 PAD ASM. - PART. SIDE L/6 - RED R.H.
- 7. 647421 PAD ASM. - PART. CRASH L/5 - GRAY L.H.
- 8. 647423 PAD ASM. - PART. CRASH L/6 - RED L.H.
- 9. 647422 PAD ASM. - PART. CRASH L/5 - GRAY R.H.
- 10. 647424 PAD ASM. - PART. CRASH L/6 - RED R.H.
- 11. 646269 LABEL - L/5 PART.
- 12. 632317 BUMPER DOOR (2)
- 13. 163162 SCREW #8 1/2 PAN. HD. (2)
- 14. MA-133 CEMENT
- 15. 651573 PAD ASM. - PART. SIDE - BLACK L.H.
- 16. 651574 PAD ASM. - PART. SIDE - BLACK R.H.
- 17. 651575 PAD ASM. - PART. CRASH - BLACK L.H.
- 18. 651576 PAD ASM. - PART. CRASH - BLACK R.H.
- 19. 651579 PAD ASM. - PART. UPPER - BLACK



DATE 9-21-72 651573, 74, 75, 76, 79 App'd

CHARLES