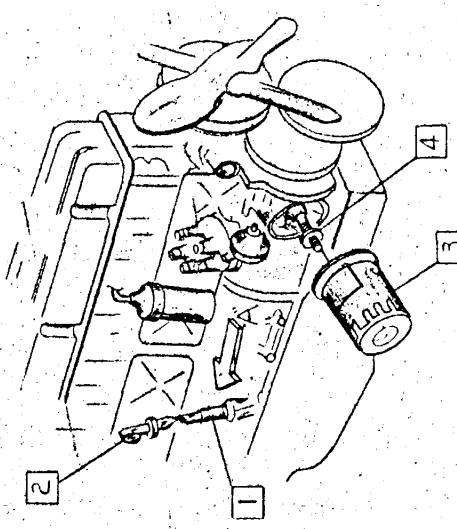


CHECKER MOTORS CORP. KALAMAZOO, MICH.

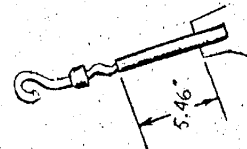
EFFECTIVE OCT 1, 1970

MODEL:	B-12	DATE	4-13-71
B-12L	B-12W8	GRAPHIC ILLUSTRATION	
B-12M		OIL FILTER + GAGE	
B-11E		APPVD.	
		DWN. DECKER	
		CHK. 2-21-71	
		SHEET NO. 255 A-1	

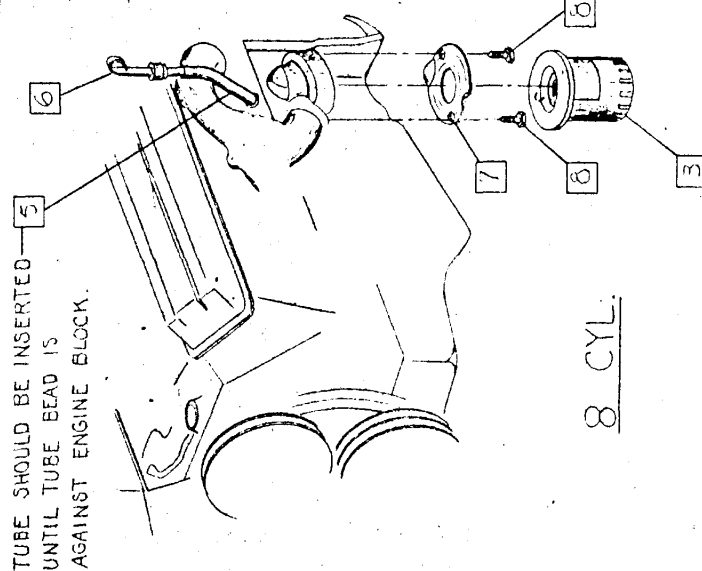
1. FURN.
2. TUBE - OIL LEVEL GAGE - 6 CYL.
3. GAGE - OIL LEVEL - 6 CYL.
4. FILTER ASM. - OIL
5. CONNECTOR - OIL FILTER
6. TUBE - OIL LEVEL GAGE - 8 CYL.
7. GAGE - OIL LEVEL - 8 CYL.
8. ADAPTER + VALVE ASM. - OIL FILTER
9. BOLT $\frac{3}{16}$ - 18 x 1 $\frac{1}{8}$ HEX. (2)



6 CYL.



VIEW IN DIRECTION OF ARROW "A"



8 CYL.

TUBE SHOULD BE INSERTED UNTIL TUBE BEAD IS AGAINST ENGINE BLOCK.

1-29-73 701545 + 702703 REMOVED

DATE CHANGES