

CHECKER MOTORS CORP. KALAMAZOO, MICH.

EFFECTIVE AUG. 1, 1972

MODEL:
A-11
A-12
A-12W

A-12W6

DATE
7-19-72

GRAPHIC ILLUSTRATION

INSTRUMENT DASH - HEATER + FRESH AIR CONTROLS

DWN. DESIGNS
CHK. 87-25-72

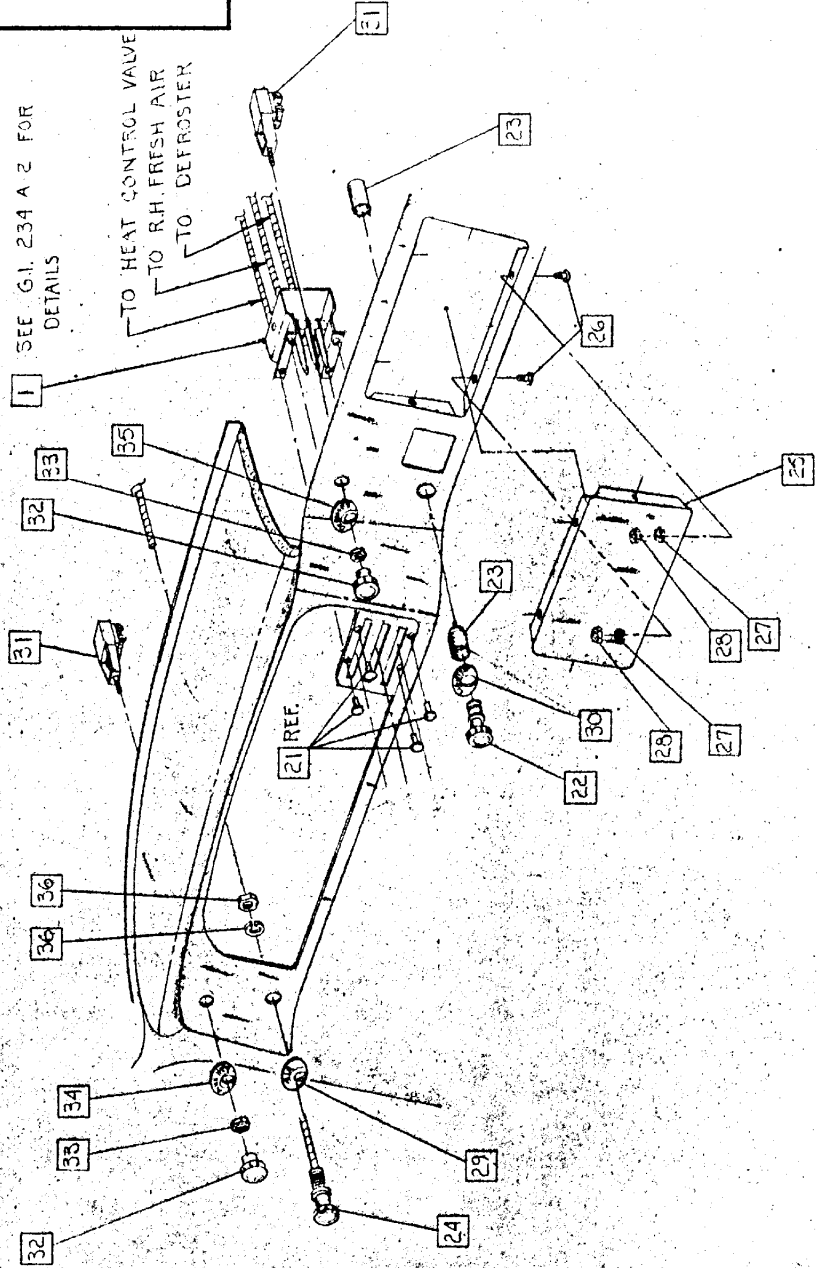
SHEET NO. 234 A-1

APPVD.

PER MEMO 318

DATE	CHANGES

FOR PART NO's SEE G.I. 234 A-2



CHECKER MOTORS CORP. KALAMAZOO, MICH.

EFFECTIVE AUG. 1, 1972

MODEL:
A-11
A-11E
A-12W

A-12
A-12E
A-12W

DATE
7-19-72

GRAPHIC ILLUSTRATION

INSTRUMENT DASH - HEATER + FRESH AIR CONTROLS

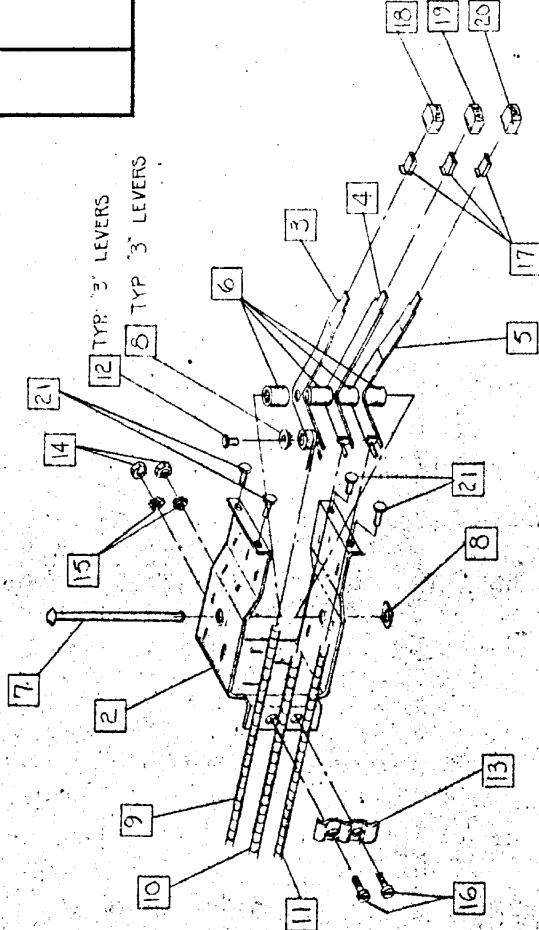
DWN. DECKER
CHK.

SHEET NO. 234 A-2

APPVD.

PER MEMO - 212

1. 647925 CONTROL ASM. - HEATER
2. 646505 BRACKET - HEATER CONTROL
3. 646506 LEVER - TEMP. CONTROL
4. 640565 LEVER - HEATER CONTROL
5. 646507 LEVER - DEFROSTER CONTROL
6. 634095 SPACER - HEATER CONTROL LEVER (4)
7. 107561 RIVET $\frac{3}{16}$ x $2\frac{1}{2}$
8. 626409 NUT $\frac{3}{16}$ PUSH ON (4)
9. 647923 CABLE ASM. - TEMP. CONTROL
10. 647922 CABLE ASM. - FRESH AIR CONTROL
11. 647921 CABLE ASM. - DEFROSTER CONTROL
12. 626547 CLIP - TUBULAR (3)
13. 634097 CLIP - HEATER CONTROL CABLES
14. 134530 NUT #6-32 HEX. (2)
15. 138473 L.W. #6 EXT. TOOTH (2)
16. 131899 SCREW #6-32 x $\frac{1}{2}$ FILL HD. SLOTT
17. 626420 RETAINER - TINN. (3)
18. 634548 KNOB - TEMP.
19. 634547 KNOB - AIR
20. 634549 KNOB - DEF.
21. 626642 RIVET $\frac{3}{16}$ DIA. POP (4)
22. 97631 KNOB + PLUG ASM. - CIGAR LIGHTER
23. 97632 SOCKET ASM. - CIGAR LIGHTER
24. 93293 CONTROL ASM. - L.H. FRESH AIR
25. 630354 PLATE - METER OPENING COVER
26. 132900 SCREW #10-32 x $\frac{3}{8}$ RH. SLOTT (4)
27. 138479 L.W. #10 EXT. TOOTH (4)
28. 120614 NUT #10-32 HEX. (4)
29. 646512 LABEL - AIR
30. 646513 LABEL - LIGHTER
31. 635334 SWITCH ASM. - FLOOR MTD. HEATER
32. 631960 KNOB + SCREW ASM. - W/S WIPER CONTROL
33. FURN ON SW - NUT
34. 646514 LABEL - AUX. HEAT
35. 646515 LABEL - DEFOGGER
36. FURN. ON



DATE	CHANGES