

CHECKER MOTORS CORP. KALAMAZOO, MICH.

EFFECTIVE OCT 1, 1970

MODEL: A-12  
A-12 E

DATE  
6-11-70

GRAPHIC ILLUSTRATION

DWN. DEAKER  
CHK. 87-27-22

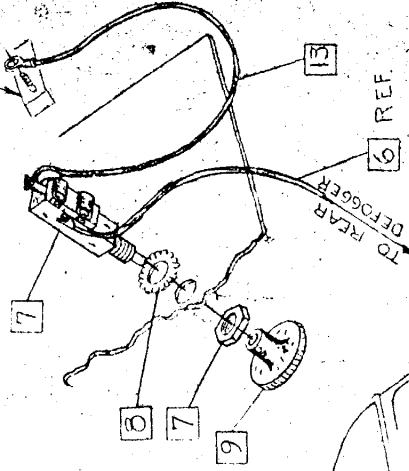
SHEET NO. 230 A-1

REAR WINDOW DEFOGGER INSTALLATION (PASS. CAR)

APPVD.

- |           |                                      |            |                                    |
|-----------|--------------------------------------|------------|------------------------------------|
| 1. 647510 | BLOWER ASSEM. - REAR WINDOW DEFOGGER | 9. 631960  | KNOB & SCREW                       |
| 2. 647509 | GRILLE ASSEM. - OUTLET               | 10. 644490 | PANEL - SHELF TRIM - REAR DEFOGGER |
| 3. 646281 | COVER - HOLE TRIM                    | 11. 80361  | CLIP - 3/16 TUBE (2)               |
| 4. 121752 | L.W. #8 EXT. TOOTH (4)               | 12. 626456 | SCREW & WASHER ASSEM. #8 x 3/4 (2) |
| 5. 120622 | NUT #8-32 HEX. (4)                   | 13. 635556 | CABLE ASM.                         |
| 6. 645348 | WIRE ASSEM. SW. TO REAR DEFOGGER     |            |                                    |
| 7. 635534 | SWITCH ASSEM. - FLOOR MTG. HEATER    |            |                                    |
| 8. 136857 | L.W. 7/16 EXT. TOOTH                 |            |                                    |

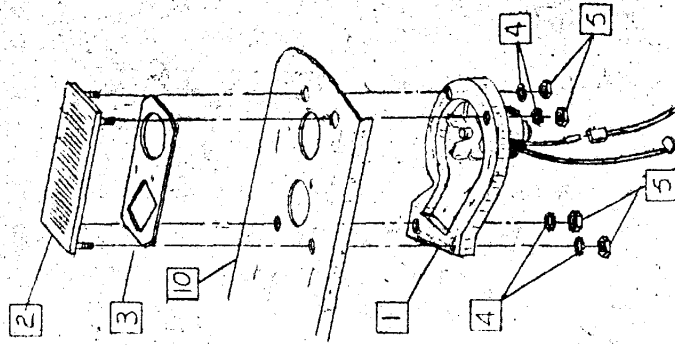
DASH MOUNTED  
#1 ACC. CIR. BRK.



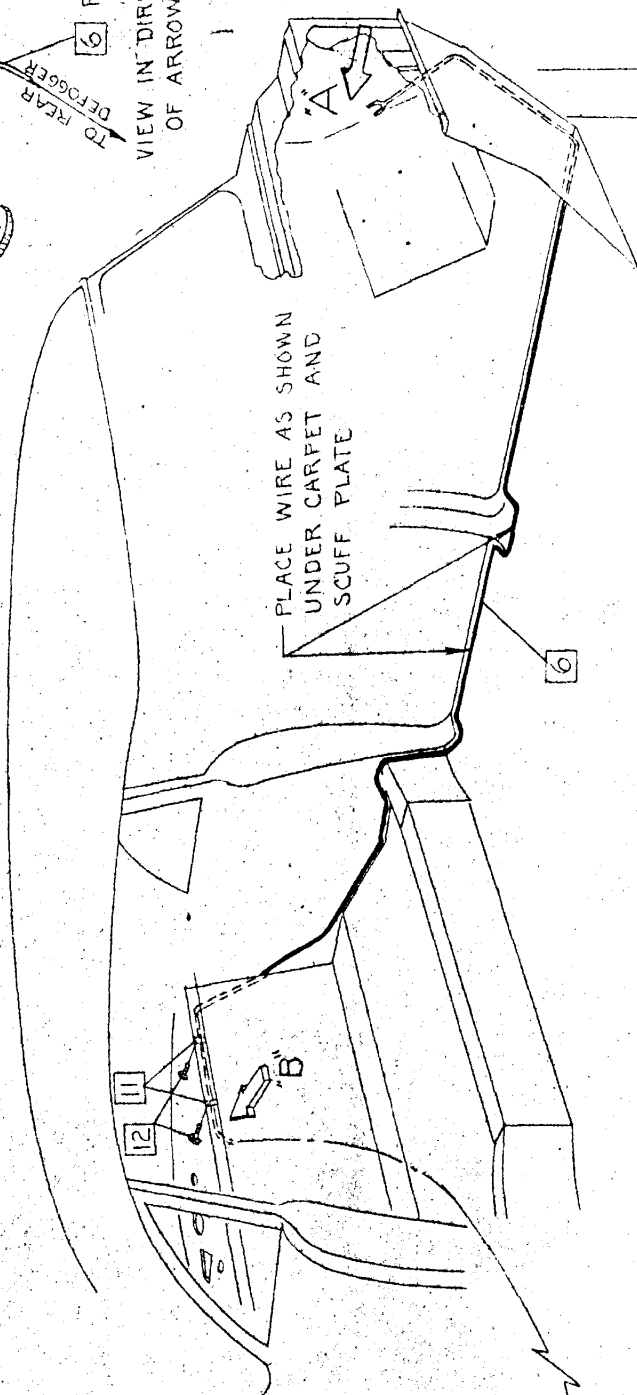
VIEW IN DIRECTION OF ARROW 'A'

TO REAR DEFOGGER

6 REF.



VIEW IN DIRECTION OF ARROW 'B'



PLACE WIRE AS SHOWN UNDER CARPET AND SCUFF PLATE

CHANGE'S

5-2350

CHECKER MOTORS CORP. KALAMAZOO, MICH.

EFFECTIVE OCT. 1, 1970

SHEET NO. 230 A-2

DWN. DECKER  
CHK. 7/2/70

GRAPHIC ILLUSTRATION

REAR WINDOW DEFOGGER INSTALLATION (CAB)

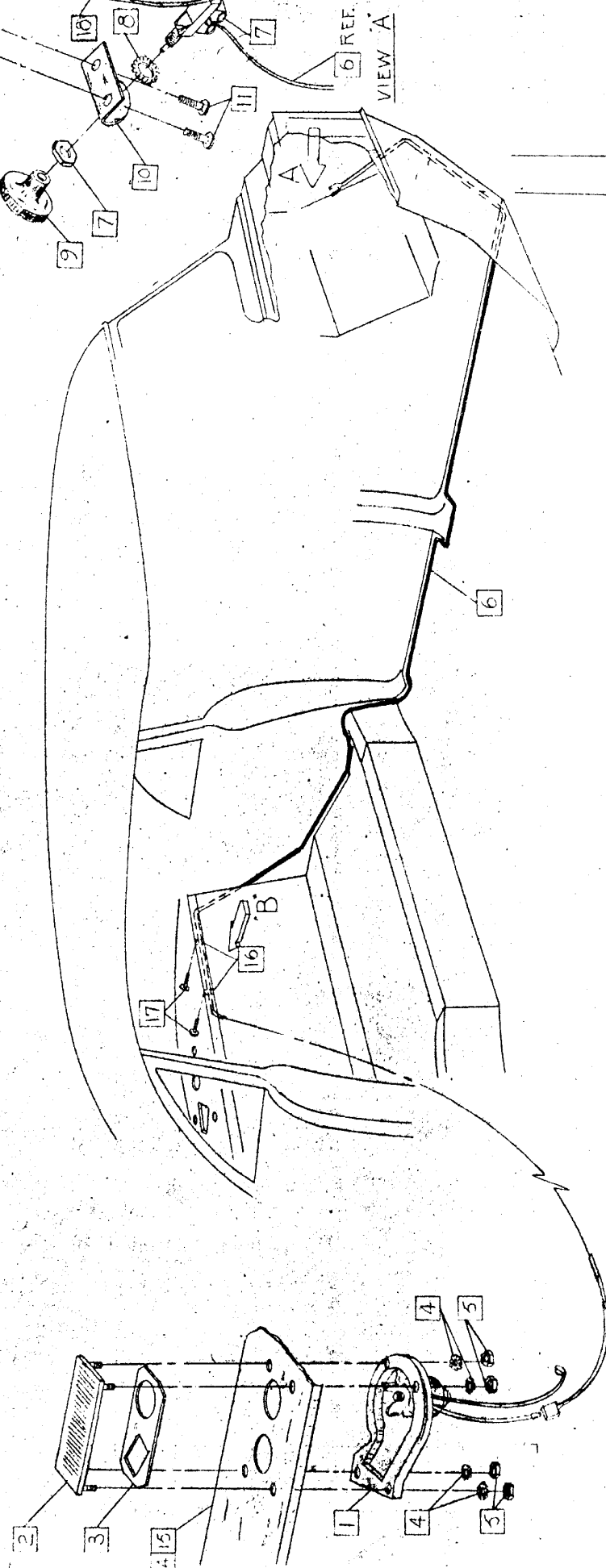
APPVD.

- 13. 120376 NUT  $\frac{1}{16}$ -18 HEX. (2)
- 14. 64490 PANEL - SHELF TRIM.
- 15. 64491 PANEL - SHELF TRIM
- 16. 80361 CLIP  $\frac{3}{16}$  TUBE (2)
- 17. 626456 SCREW & WASHER ASSEM.  $\frac{1}{8}$  x  $\frac{3}{4}$  (2)
- 18. 635556 CABLE ASM.

- 1. 647510 BLOWER ASSEM. - REAR WINDOW DEFOGGER
- 2. 647509 GRILLE ASSEM. - AIR OUTLET
- 3. 646281 COVER - HOLE TRIM
- 4. 121752 L.W.  $\frac{1}{8}$  EXT. TOOTH (4)
- 5. 120622 NUT  $\frac{1}{8}$ -32 HEX. (4)
- 6. 615849 WIRE ASSEM. - SW. TO REAR DEFOGGER
- 7. 635534 SWITCH ASSEM. - FLOOR MTG. HEATER
- 8. 136857 L.W.  $\frac{1}{16}$  EXT. TOOTH
- 9. 631960 KNOB & SCREW ASSEM.
- 10. 702352 BRACKET - REAR WINDOW DEFOGGER
- 11. 157767 SCREW -  $\frac{1}{16}$ -16 x  $\frac{2}{3}$  TRUSS HD. C.R. (2)
- 12. 138485 L.W.  $\frac{3}{16}$ -EXT. TOOTH (2)

DASH MOUNTED  
"1 ACC. CIR. BRK.

DRIVERS' DOME  
LIGHT SW.



VIEW IN DIRECTION OF ARROW 'B'

CHANGE'S

REF. 647550

CHECKER MOTORS CORP. KALAMAZOO, MICH.

EFFECTIVE JAN 1, 1972

MODEL:  
A-11  
A-11E  
A-11E

A-12V15  
A-12E  
A-12W

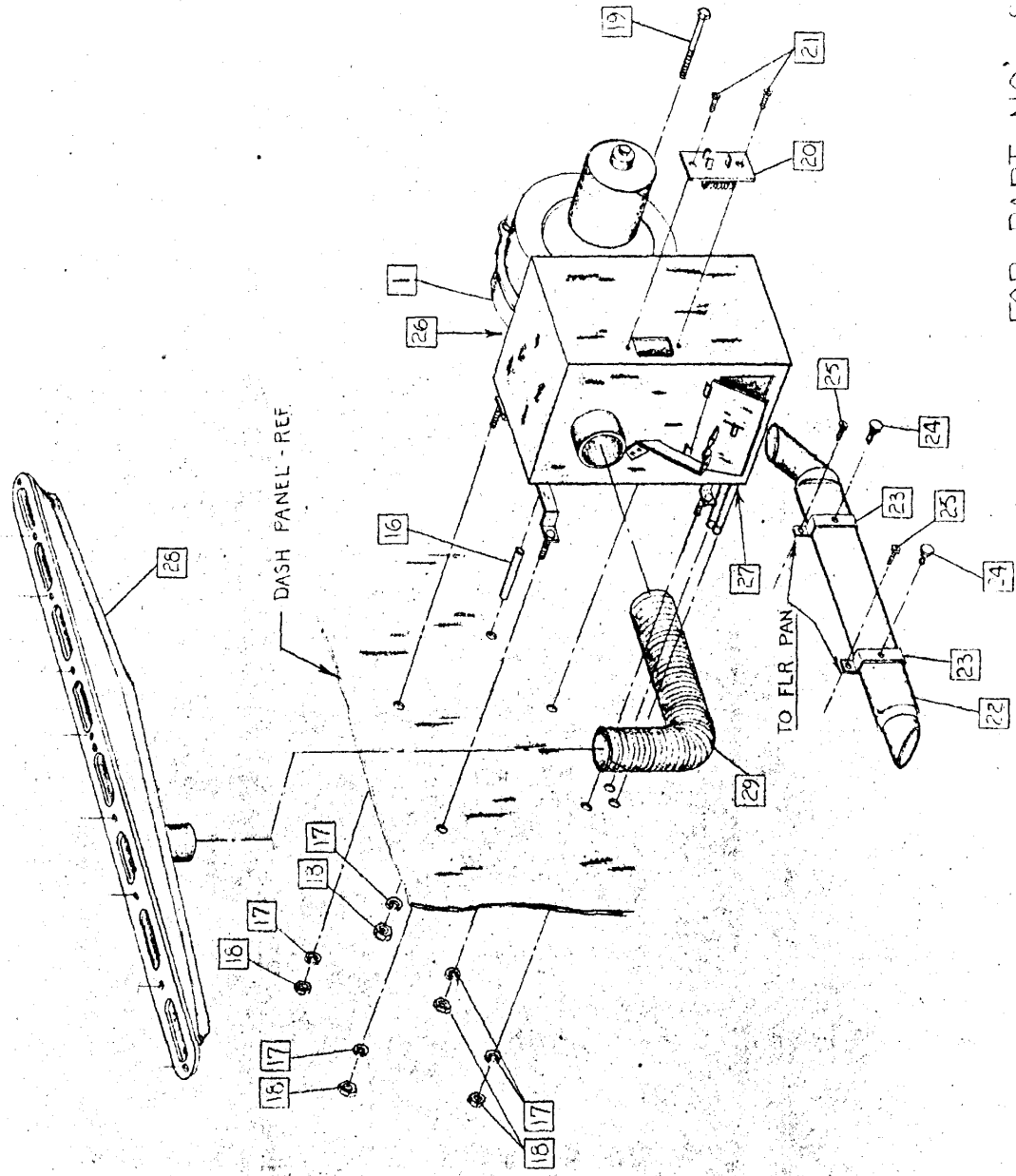
DATE  
2-25-72

GRAPHIC ILLUSTRATION  
HEATER DEFROSTER - INSTALLATION

DWN. Decker  
CHK.  
APPVD.

SHEET NO. 230 A-3

DATE	CHANGES



FOR PART NO'S SEE G.I. 230 A-4

EFFECTIVE JAN 1, 1972

CHECKER MOTORS CORP. KALAMAZOO, MICH.

GRAPHIC ILLUSTRATION

MODEL: A-12 A-12W6 A-12E A-12W A-11E

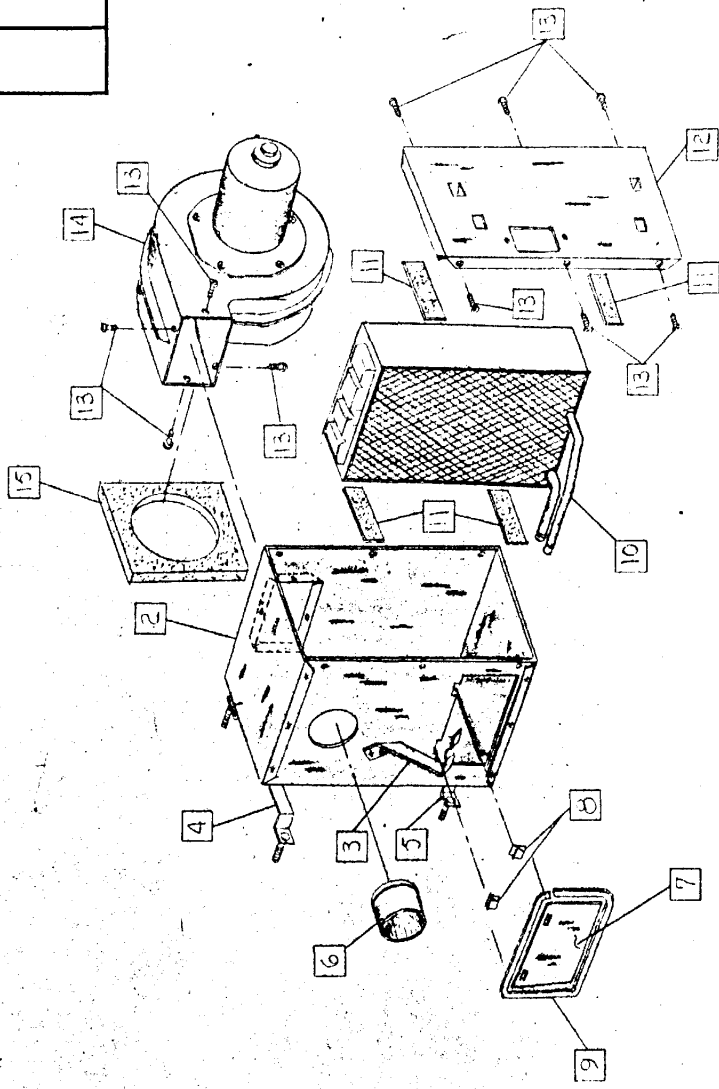
SHEET NO. 230 A-4

APPVD.

HEATER - DEFROSTER - INSTALLATION

DATE	CHANGES

1. 641451 HEATER ASM. - DASH MTG.
2. 634294 HOUSING - DASH MTG. HEATER
3. 634299 BRACKET - DASH MTG. HEATER CABLE
4. 631822 BRACKET ASM. - DASH MTG HEATER. MTG.
5. 639809 BRACKET ASM. - DASH MTG. HEATER - LOWER
6. 632088 GROMMET - DEFROSTER HOSE
7. 634296 DOOR - DASH MTG. HEATER
8. 634337 HINGE - HEATER DOOR (2)
9. 634325 GASKET - DASH MTG. HEATER HOUSING - DOOR
10. 637203 CORE ASM. - DASH MTG. HEATER
11. 632265 INSULATOR - HEATER CORE (4)
12. 634794 COVER - DASH MTG. HEATER
13. 163156 SCREW #8 x 3/8 PHCR (10)
14. 641449 BLOWER ASM. - DASH MTG. HEATER - 10 AMP.
15. 640293 GASKET - HEATER BLOWER INLET
16. 634324 SPACER - BLOWER MTG TO DASH
17. 120380 L.W. 1/4 MED SPRING (5)
18. 120375 NUT 1/4-20 x 2 3/4 HEX
19. 121973 BOLT 1/4-20 x 2 3/4 HEX
20. 647035 RESISTOR ASM. - BLOWER
21. 161895 SCREW #10 x 1/2 PHCR (2)
22. 640491 DUCT - HEATER AIR
23. 640456 CLIP - HEATER DUCT RETAINER (2)
24. 632626 CLIP ASM - TRIM (2)
25. 161569 SCREW #8 x 3/8 PH.CR (2)
26. MA-140 TAPE - WATERPROOF 1 1/2 WIDE
27. ML-106 PERMAQUIM SLUGS
28. 639233 DUCT + GASKET ASM. - DEFROSTER
29. 640232 HOSE - DEFR. 2 1/2 ID. x 33"



641451 HEATER ASM. - DASH MTG

CHECKER MOTORS CORP. KALAMAZOO, MICH.

EFFECTIVE JAN 1, 1972

MODEL:  
A-11  
A-12  
A-12E  
A-12W

DATE  
2-23-72

GRAPHIC ILLUSTRATION  
HEATER CONTROLS

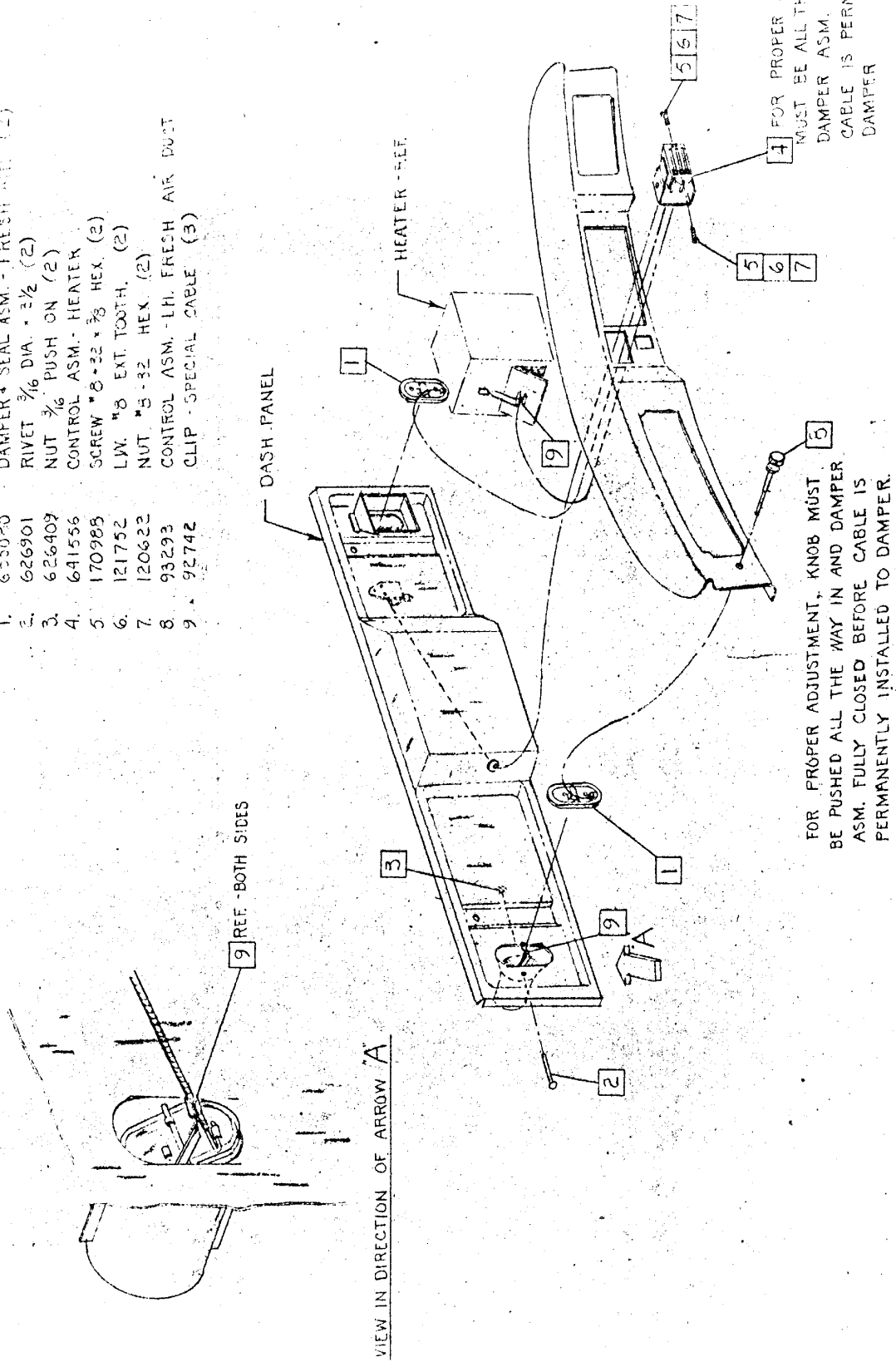
DWN. DENKER  
CHK.

SHEET NO. 230 A-5

APPVD.

- |    |        |                                    |
|----|--------|------------------------------------|
| 1. | 623070 | DAMPER & SEAL ASM. - FRESH AIR (2) |
| 2. | 626901 | RIVET 3/16 DIA. x 3/2 (2)          |
| 3. | 626409 | NUT 3/16 PUSH ON (2)               |
| 4. | 641556 | CONTROL ASM. - HEATER              |
| 5. | 170985 | SCREW #8 x 22 x 3/8 HEX. (2)       |
| 6. | 121752 | L.W. #8 EXT. TOOTH. (2)            |
| 7. | 120622 | NUT #8-32 HEX. (2)                 |
| 8. | 93293  | CONTROL ASM. - LH. FRESH AIR DUCT  |
| 9. | 92742  | CLIP - SPECIAL CABLE (3)           |

DATE	CHANGES
4-11-72	626901 WAS 11E195



CHECKER MOTORS CORP. KALAMAZOO, MICH.

EFFECTIVE OCT 1, 1962

MODEL: B-12  
B-12E  
B-12W

DATE  
5-21-70

GRAPHIC ILLUSTRATION

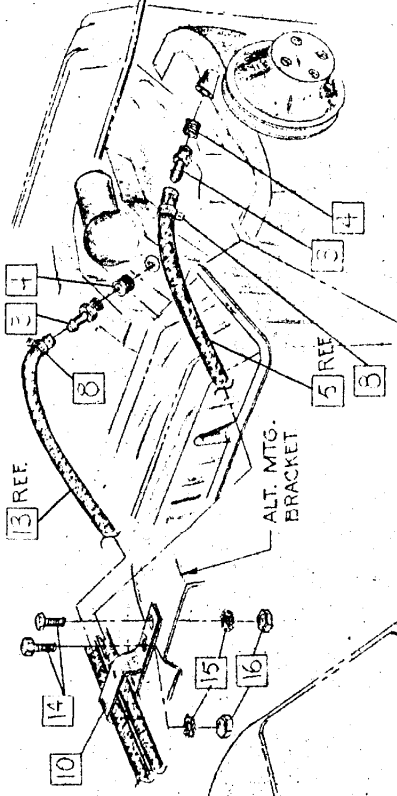
HEATER + DEFROSTERS - HOSES - DASH MTD.

DWN. DEKKER  
CHK. 5-22-70

SHEET NO. 232 A-1

APPVD.

1. 701223 VALVE ASM. - TEMP. RES.
2. 161895 SCREW 10 x 1/2 PAN (3) 6 CYL. (4) 8 CYL.
3. 702500 NIPPLE - HEATER HOSE (2) 8 CYL.
4. 702335 BUSHING - REDUCER (2) 8 CYL.
5. 93290 HOSE (2) 8 CYL.
6. 702289 HOSE
7. 702276 HOSE
8. 178304 CLAMP 1/8 HOSE (5) 6 CYL., (6) 8 CYL.
9. 705220 CLAMP 1.03 HOSE
10. 646664 CLIP (2) 6 CYL. (1) 8 CYL.
11. 626532 CLIP - DOUBLE
12. 271172 NUT 1/4 L.W. ASM. 1/4 - 20 HEX. (2) 6 CYL
13. 704822 HOSE
14. 121567 BOLT 1/4 - 20 x 1/4 HEX. (4) 6 CYL., (2) 8 CYL.
15. 174916 L.W. 1/4 INT. EXT. TOOTH (2)
16. 120375 NUT 1/4 - 20 HEX. (2)
17. 706199 HOSE - HEATER SPL.



8 CYL. ENGINE

ALT. MTD. BRACKET

3 REF.

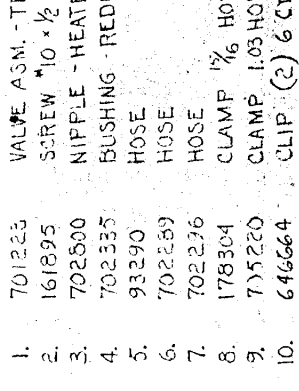
5 REF.

4

14

15

16



17 REF.

8

7 REF.

10

11

12

13

14

15

16

17

1

2

3

4

5

6

7

8

9

10

11

12

13

14

15

16

17

18

19

20

21

22

23

24

25

26

27

28

29

30

3

4

5

6

7

8

9

10

11

12

13

14

15

16

17

18

19

20

21

22

23

24

25

26

27

28

29

30

31

32

33

34

35

36

37

38

39

40

41

42

43

44

45

46

47

48

49

50

51

52

53

54

55

56

57

58

59

60

61

62

63

64

65

66

67

68

69

70

71

72

73

74

75

76

77

78

79

80

81

82

83

84

85

86

87

88

89

90

91

92

93

94

95

96

97

98

99

100

101

102

103

104

105

106

107

108

109

110

111

112

FOR CONTINUATION OF HOSES, SEE INSETS

MOUNT ON AIR COND. COME.

6 CYL. W/AIR COND.

MOUNT ON INNER FENDER

8 CYL. ONLY WITH 2

6 CYL. ONLY

8 CYL. ONLY

6 CYL.

8 CYL.

6 CYL. ONLY

8 CYL. ONLY

PART OF FRAME

5-15-73	646664	Was 644772
11-22-72	705220	Was 62290 (6 cyl.)
11-22-72	705220	Was 454329
10-25-71	702806, 702335	Revised to 2-11.
5-2-71	271172	Added
6-2-71	120368	Removed

6 CYL. ENGINE

CHANGES

CHECKER MOTORS CORP. KALAMAZOO, MICH.

EFFECTIVE OCT. 1, 1969

SHEET NO. 232 A-2

DWN. DEKKER  
CHK. 5-25-70

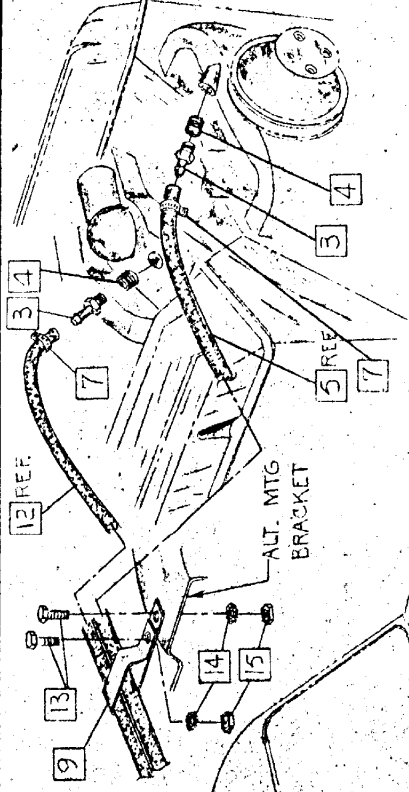
GRAPHIC ILLUSTRATION  
HEATER + DEFROSTERS - HOSES - R.H. FLOOR

DATE  
5-22-70

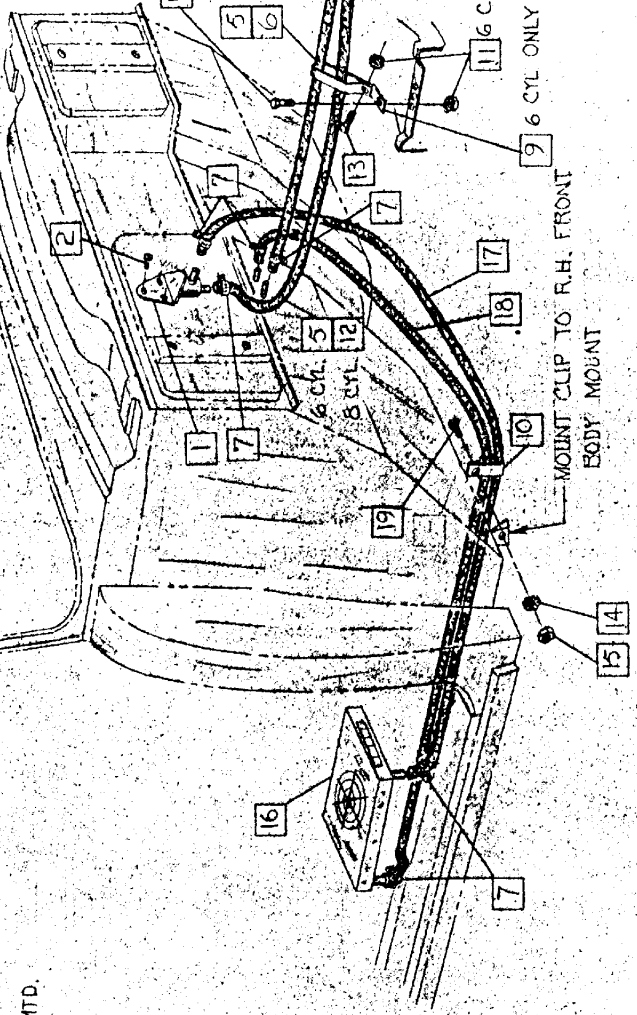
MODEL: B-12  
B-12E  
B-12W

APPRVD.

1. 701225 VALVE ASM. - TEMP. REG.
2. 161895 SCREW 10 x 1/2 PAN. (3) 6 CYL., (4) 8 CYL.
3. 702800 NIPPLE - HEATER HOSE (2) 6 CYL., (2) 8 CYL.
4. 702335 BUSHING - REDUCER (2) 6 CYL.
5. 93290 HOSE
6. 702296 HOSE
7. 178304 CLAMP 3/8 HOSE (7) 6 CYL., (8) 8 CYL.
8. 705220 CLAMP 1.03 HOSE
9. 646664 CLIP
10. 626532 CLIP - DOUBLE (2)
11. 271172 NUT 1/4 L.W. ASM. 1/4 - 20 HEX.
12. 704522 HOSE
13. 121987 BOLT 1/4 - 20 x 3/4 HEX. (2)
14. 174916 L.W. 1/4 INT. EXT. TOOTH (3)
15. 120375 NUT 1/4 - 20 HEX. (3)
16. 641279 HEATER ASM. - FLOOR MTD.
17. 642529 HOSE - 53" LG.
18. 642530 HOSE - 66" LG.
19. 120254 BOLT 1/4 - 20 x 3/8 HEX.
20. 706193 HOSE - HEATER - SPL.

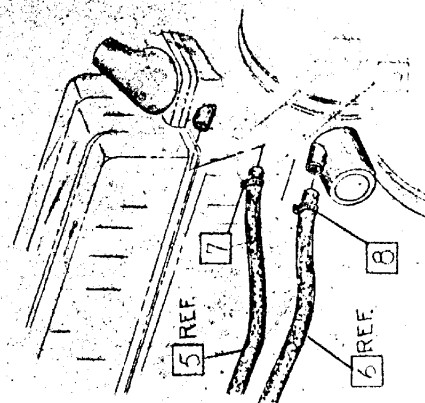


8 CYL. ENGINE



FOR CONTINUATION OF HOSES, SEE INSETS.

MOUNT ON AIR COND. COMP. 6 CYL.  
MOUNT ON INNER FENDER 8 CYL. ONLY WITH [2]



3-15-73 646664 WAS 644772  
11-22-72 705220 WAS 454353  
11-22-72 706193 WAS 93220 (6 CYL. ONLY)  
10-13-71 702335, 702335 REMOVED 6 CYL.  
8-2-71 120365 REMOVED, 271172, ADD'D

6 CYL. ENG.

CHANGES

CHECKER MOTORS CORP. KALAMAZOO, MICH.

EFFECTIVE OCT 1, 1959

MODEL:

A-12WB

DATE:

5-26-70

GRAPHIC ILLUSTRATION

HEATER + DEFROSTERS - HOSES

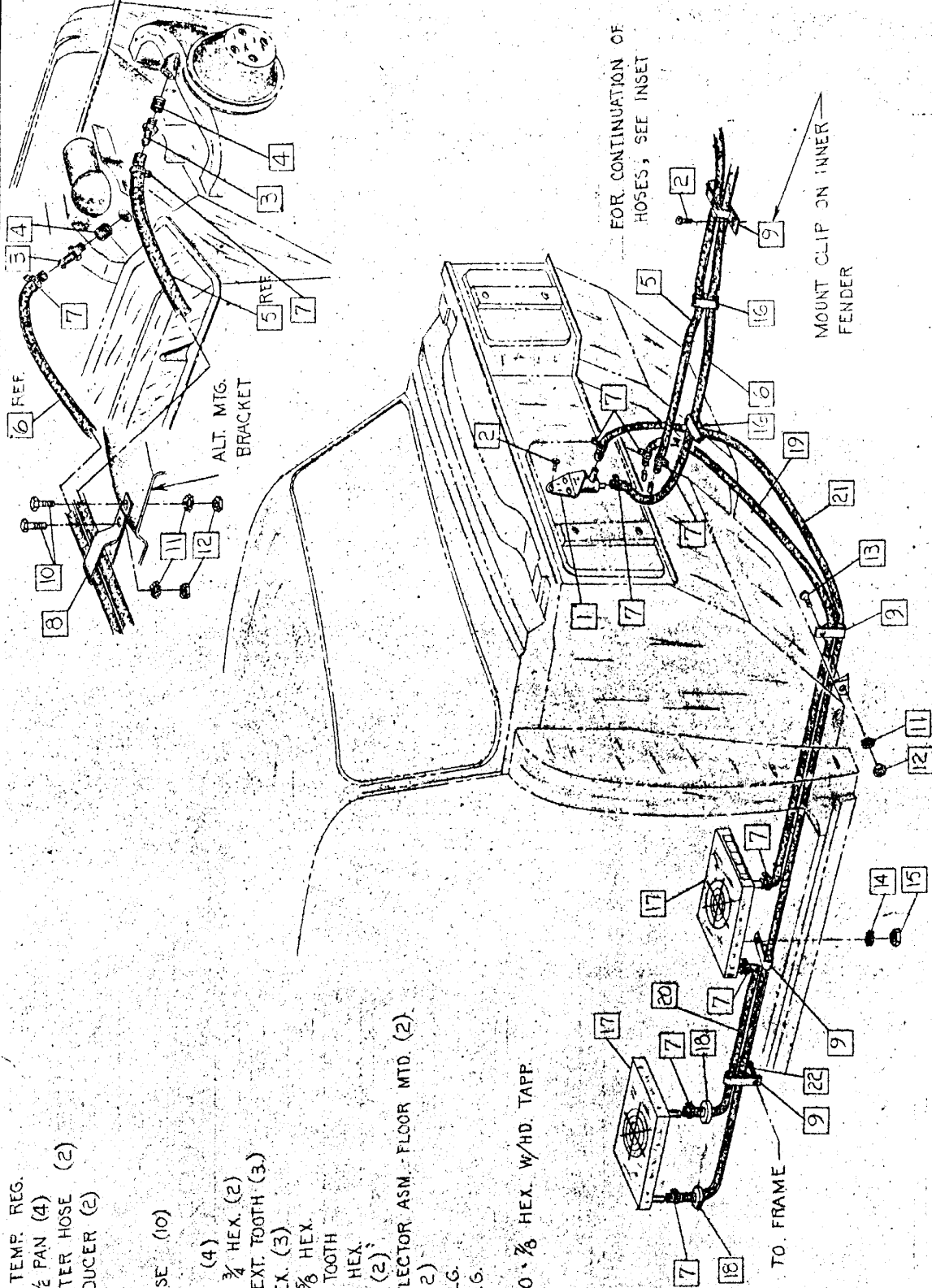
DWN. DENKER

CHK. K.P.P. 1/1/70

SHEET NO. 232 A-3

APPVD.

- 1. 701223 VALVE ASM. - TEMP. REG.
- 2. 161895 SCREW  $10 \times \frac{1}{2}$  PAN (4)
- 3. 702800 NIPPLE - HEATER HOSE (2)
- 4. 702335 BUSHING - REDUCER (2)
- 5. 93290 HOSE
- 6. 704822 HOSE
- 7. 175304 CLAMP  $\frac{1}{8}$  HOSE (10)
- 8. 646664 CLIP
- 9. 626532 CLIP - DOUBLE (4)
- 10. 121887 BOLT  $\frac{1}{4} - 20 \times \frac{3}{4}$  HEX. (2)
- 11. 174316 L.W.  $\frac{1}{4}$  INT. EXT. TOOTH (3)
- 12. 120375 NUT  $\frac{1}{4} - 20$  HEX. (3)
- 13. 120654 BOLT  $\frac{1}{4} - 20 \times \frac{3}{8}$  HEX.
- 14. 125751 L.W.  $\frac{1}{2}$  EXT TOOTH
- 15. 121743 NUT  $\frac{1}{2} - 24$  HEX.
- 16. 704625 BAND - CLIP (2)
- 17. 641279 HEATER + DEFLECTOR ASM. - FLOOR MTD. (2)
- 18. 626514 GROMMET (2)
- 19. 642529 HOSE 53 LG.
- 20. 636503 HOSE 72 LG.
- 21. 640739 HOSE
- 22. 9425106 SCREW  $\frac{1}{4} - 20 \times \frac{3}{8}$  HEX. W/HD. TAPP.



3-15-73 64664 Wks 644772  
 3-20-72 9425106 Wks 9425171  
 11-5-71 642529 Wks 636800  
 12-21-70 9425171 Screw Y (J)  
 626532 Clip Added.

CHANGES