

CHECKER MOTORS CORP. KALAMAZOO, MICH.

EFFECTIVE OCT 1, 1970

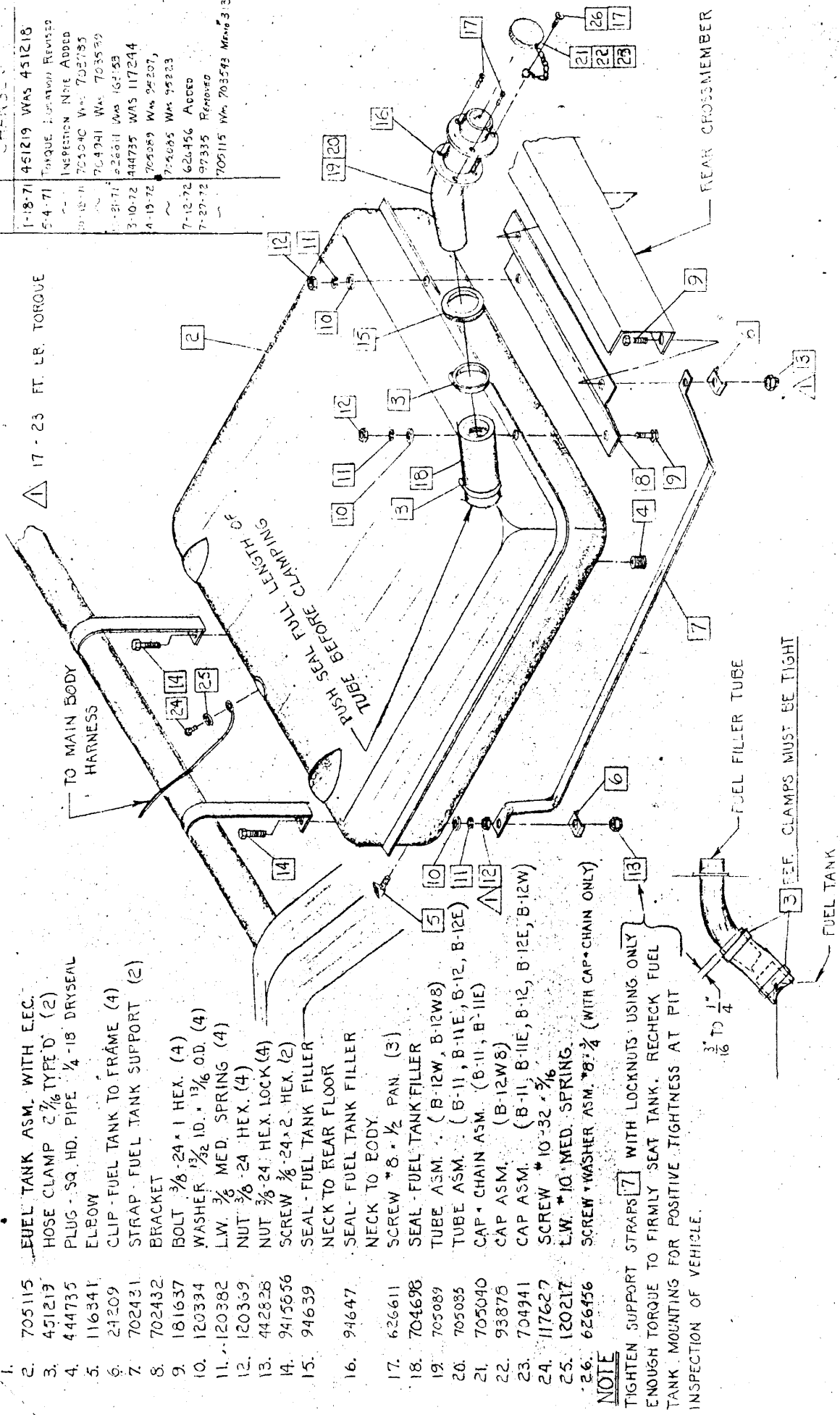
SHEET NO. 205 A-1

MODEL:	DATE	GRAPHIC ILLUSTRATION	APPVD.
B-11	B-12W5	FUEL TANK INSTALLATION.	
B-12E	B-12W5		
B-12W	B-12W5		

DWN. DEKKER
CHK. 205 2-27-70

CHANGE

1-8-71	451219 WAS 451218
5-4-71	TORQUE LOCATIONS REVISED
5-12-71	INSPECTION NRIE ADDED
7-3-71	705040 WAS 705035
7-3-71	704941 WAS 703539
7-3-71	626456 WAS 626456
3-10-72	444735 WAS 117244
4-19-72	705089 WAS 95207,
7-12-72	705085 WAS 95223
7-12-72	626456 ADDED
7-27-72	97335 REMOVED
7-27-72	705115 WAS 703573 MFG 313



1. 705115 FUEL TANK ASM. WITH EEC.
2. 451219 HOSE CLAMP 2 7/16 TYPE 'D' (2)
3. 444735 PLUS - SQ. HD. PIPE 1/4 - 18 DRYSEAL ELBOW
4. 116341 CLIP - FUEL TANK TO FRAME (4)
5. 24209 STRAP - FUEL TANK SUPPORT (2)
6. 702431 BRACKET
7. 702432 BOLT 3/8 - 24 x 1 HEX. (4)
8. 181637 WASHER 13/32 ID. x 13/16 O.D. (4)
9. 120334 L.W. 3/8 MED. SPRING (4)
10. 120382 NUT 3/8 - 24 HEX. (4)
11. 442828 NUT 3/8 - 24 HEX. LOCK (4)
12. 9415656 SCREW 3/8 - 24 x 2 HEX. (2)
13. 94639 SEAL - FUEL TANK FILLER NECK TO REAR FLOOR
14. 94647 SEAL - FUEL TANK FILLER NECK TO BODY
15. 626611 SCREW * 8 - 1/2 PAN. (3)
16. 704696 SEAL - FUEL TANK FILLER TUBE ASM. (B-12W, B-12W8)
17. 705089 TUBE ASM. (B-11, B-11E, B-12, B-12E)
18. 705085 CAP - CHAIN ASM. (B-11, B-11E)
19. 705040 CAP ASM. (B-12W8)
20. 93875 CAP ASM. (B-11, B-11E, B-12, B-12E, B-12W)
21. 704941 SCREW * 10 - 32 x 3/16 L.W. * 10 MED. SPRING
22. 117627 SCREW * 10 MED. SPRING
23. 120217 SCREW * WASHER ASM. * 8 - 1/4 (WITH CAP - CHAIN ONLY)
24. 626456
25. 120217
26. 626456

NOTE
TIGHTEN SUPPORT STRAPS [7] WITH LOCKNUTS USING ONLY ENOUGH TORQUE TO FIRMLY SEAT TANK. RECHECK FUEL TANK MOUNTING FOR POSITIVE TIGHTNESS AT PIT INSPECTION OF VEHICLE.