

CHECKER MOTORS CORP. KALAMAZOO, MICH.

EFFECTIVE OCT. 1, 1970

MODEL: B-11 B-11E B-12E
 B-12 B-12E
 B-12W

GRAPHIC ILLUSTRATION

SHEET NO. 120 A-1

DWN. DEKSTER
 CHK. *John Anderson*

CRANKCASE VENT - 6 CYL. AUTO. TRANS.

APVVD.

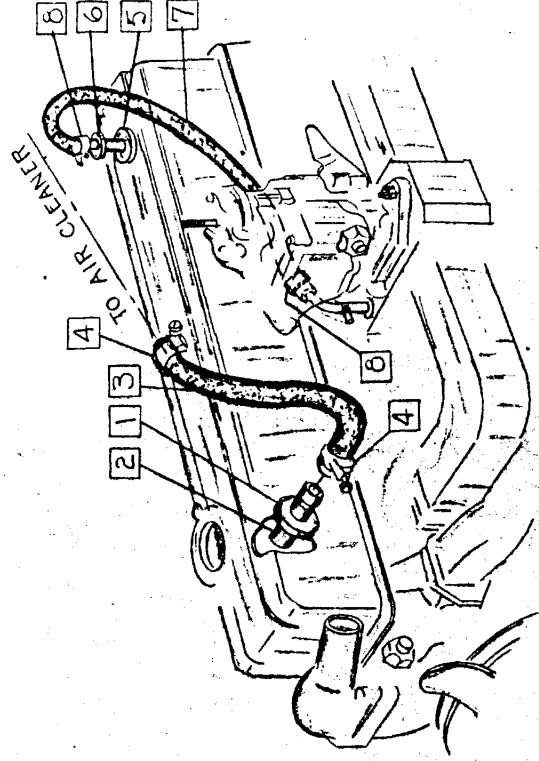
INCFXFO

1. 704148 GROMMET - C/C VENT.
2. 704147 CONNECTOR
3. 706073 HOSE - C/CASE VENT
4. 454358 CLAMP 1/8 HOSE (2)
5. 704146 GROMMET
6. 705124 VALVE ASM.
7. 704267 HOSE - C/CASE VENT.
8. 704684 CLAMP - HOSE 5/8 FREE I.D. (2)

DATE

CHANGES

9-23-71 706073 WAS 704271
 9-21-72 705124 WAS 703769



CHECKER MOTORS CORP. KALAMAZOO, MICH.

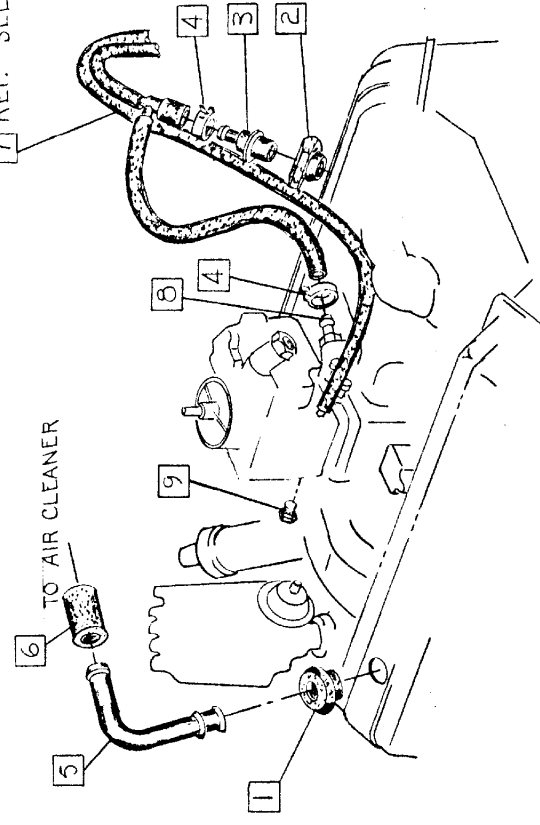
EFFECTIVE OCT 1, 1970

MODEL:	B-12	DATE	
B-11E	B-12E	8-7-70	
B-12W	B-12W		
GRAPHIC ILLUSTRATION		SHEET NO. 120 A-2	
CRANKCASE VENT. - 6 CYL.		APPVD.	

DWN. DEKKER	
CHK. 1099-9-70	
12-4-70	117244
	ADDED

- 1. 704146 GROMMET C/C VENT R.H.
- 2. 704753 GROMMET C/C VENT L.H.
- 3. 703296 VALVE ASM.
- 4. 704684 CLAMP
- 5. 704660 PIPE - C/C VENT.
- 6. 704752 HOSE C/C VENT TO AIR CLEANER
- 7. 703933 HOSE ASM.
- 8. 702373 CONNECTOR
- 9. 117244 PLUG 1/4 PIPE

7 REF. SEE G.I. 150 A-5



CHANGES

CANCELLED SUPERCEDED BY G.I. 120 A-3

CHECKER MOTORS CORP. KALAMAZOO, MICH.

EFFECTIVE OCT 1, 1971

SHEET NO. 120 A-3

DWN. DESKER.
CHK.

GRAPHIC ILLUSTRATION

CRANKCASE VENT. - V-8 2 BBL. CARB.

DATE

9-2-71

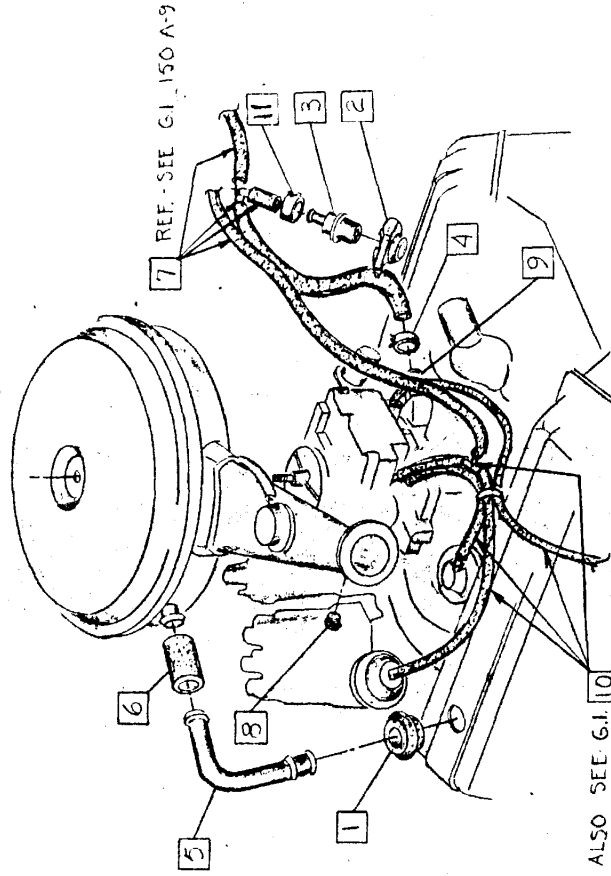
MODEL: B-12

B-12E

B-12W

- 1. 704146 • GROMMET - C/C VENT R.H.
- 2. 704753 GROMMET - C/C VENT L.H.
- 3. 705125 VALVE ASM.
- 4. 704694 CLAMP
- 5. 704660 PIPE - C/C VENT.
- 6. 704752 HOSE - C/C VENT TO AIR CLEANER
- 7. 705145 HOSE ASM.
- 8. 444735 PLUG - SQ. HD. PIPE 1/4-18 DRYSEAL
- 9. 702573 CONNECTOR
- 10. 705167 HOSE ASM. - SPARK CONTROL 2 BBL.
- 11. 702104 CLAMP - HOSE

DATE	CHANGES
11-24-71	702573 ADD'D
3-10-72	444735 WAS 117244
9-2-72	705125 WAS 703296
~	705145 WAS 705011
~	705167 ADD'D
1-8-73	705164 WAS 704654



ALSO SEE G.I. 10
158 A-2

7 REF. - SEE G.I. 150 A-9

EFFECTIVE OCT 1, 1971

CHECKER MOTORS CORP. KALAMAZOO, MICH.

DWN. DERRIFF
CHK.

SHEET NO. 120 A-4

GRAPHIC ILLUSTRATION
CRANKCASE VENT V-8 - 4 BBL. CARB.

DATE
9-3-71

MODEL:
B12WS

APPVD.

- 1. 704146 GROMMET - C/C VENT R.H.
- 2. 704753 GROMMET - C/C VENT L.H.
- 3. 705162 VALVE ASM.
- 4. 704684 CLAMP
- 5. 704661 PIPE - C/C VENT
- 6. 704752 HOSE - C/C VENT TO AIR CLEANER
- 7. 705146 HOSE ASM. - EVAP. EMISSION
- 8. 705168 HOSE ASM. - SPARK CONTROL 4 Bbl.
- 9. 702104 CLAMP - HOSE

DATE	CHANGES
7-2-71	704661 WAS 704660
9-2-71	705162 WAS 703256
~	705146 WAS 705162
~	705168 APPROD
11-8-73	702104 WAS 704664

